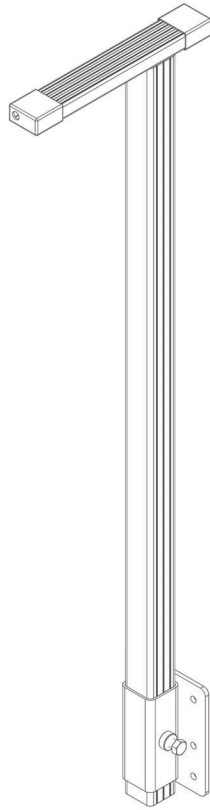




ASSEMBLY INSTRUCTIONS

FLOE DOCK HANDLE

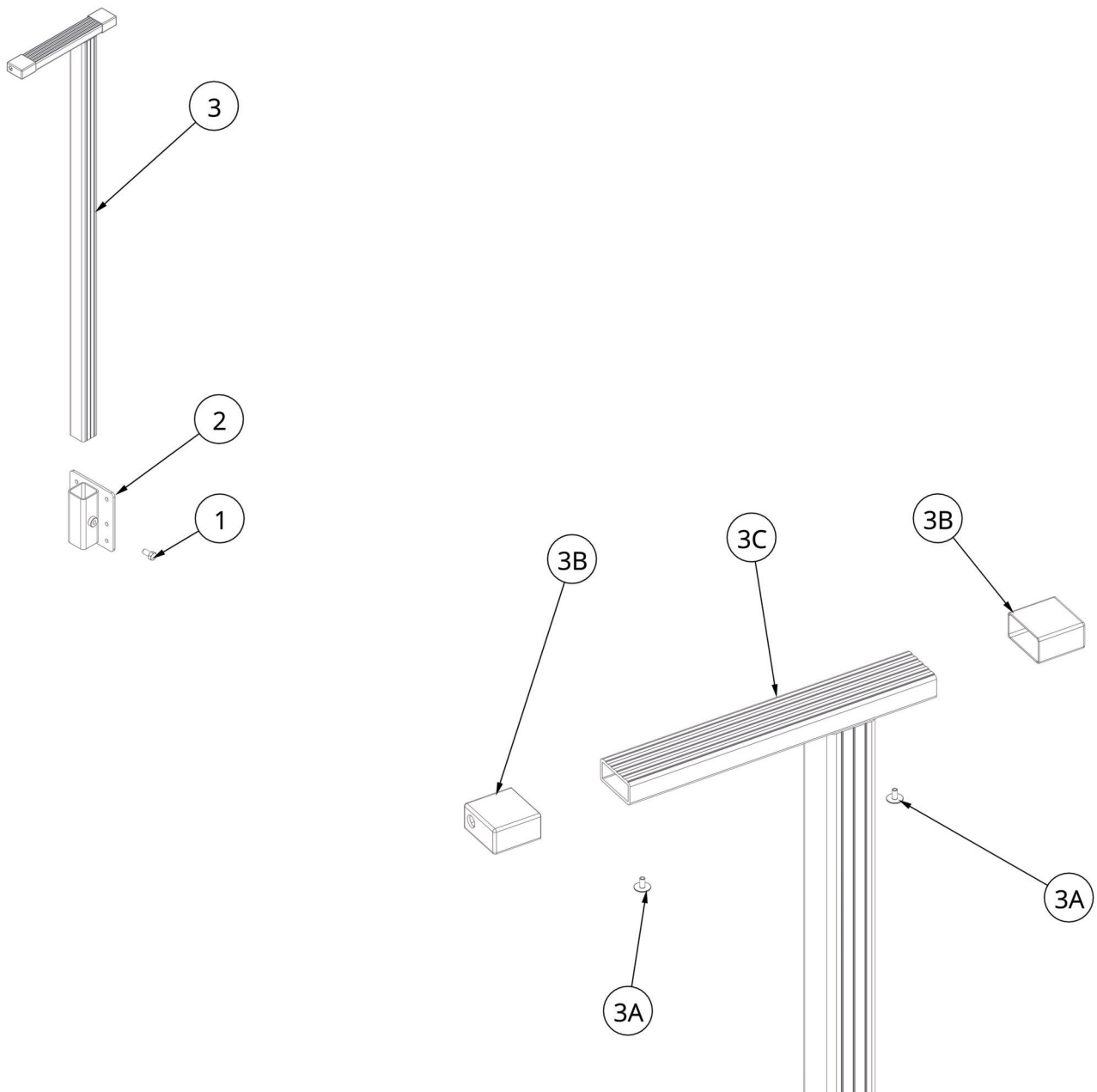
P/N 510-08202-00



For more information, go to the owner support tab on the FLOE website

BILL OF MATERIALS/EXPLODED VIEW

NUMBER	PART NUMBER	QTY	DESCRIPTION
	510-08202-00	1	KIT, DOCK HANDLE
1	001-70205-00	1	HHCS, 1/2-13 X 1" 18-8 SS
2	110-02313-00	1	WELD'T, DOCK HANDLE BRACKET
3	110-08202-00	1	ASS'Y, DOCK HANDLE
3A	001-05500-00	2	RIVET, ABL6-6 3/16" X 3/8"
3B	006-13700-00	2	CAP, VINYL 1" X 2" X 2"
3C	110-02307-00	1	WELD'T, DOCK HANDLE



NOTES



FLOE INTERNATIONAL, INC.
48473 STATE HIGHWAY 65 • MCGREGOR, MN 55760
www.floeintl.com

*All material copyright © 2026 FLOE International, Inc.
Specifications subject to change without notice.*