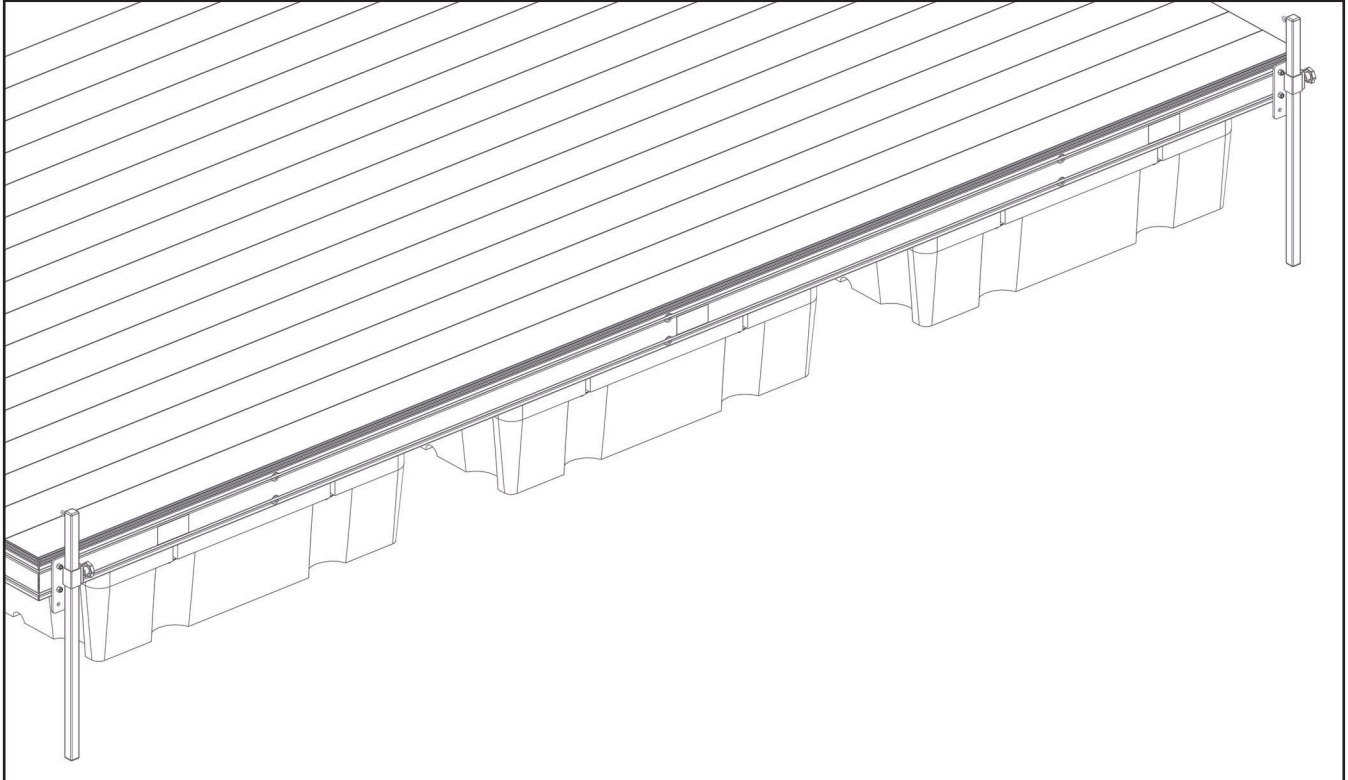




ASSEMBLY INSTRUCTIONS

FLOE FLOATING DOCK DOCK BIRD DETERRENT ATTACHMENT KIT

P/N 510-02673-00



For more information, go to the owner support tab on the FLOE website

*DOCK, WHEEL KITS, AND BIRD DETERRENT KIT NOT INCLUDED

TOOLS REQUIRED

- 9/16" SOCKET/WRENCH
- TORQUE WRENCH
- TAPE MEASURE
- DOCK BIRD DETERRENT INSTRUCTIONS

IMPORTANT

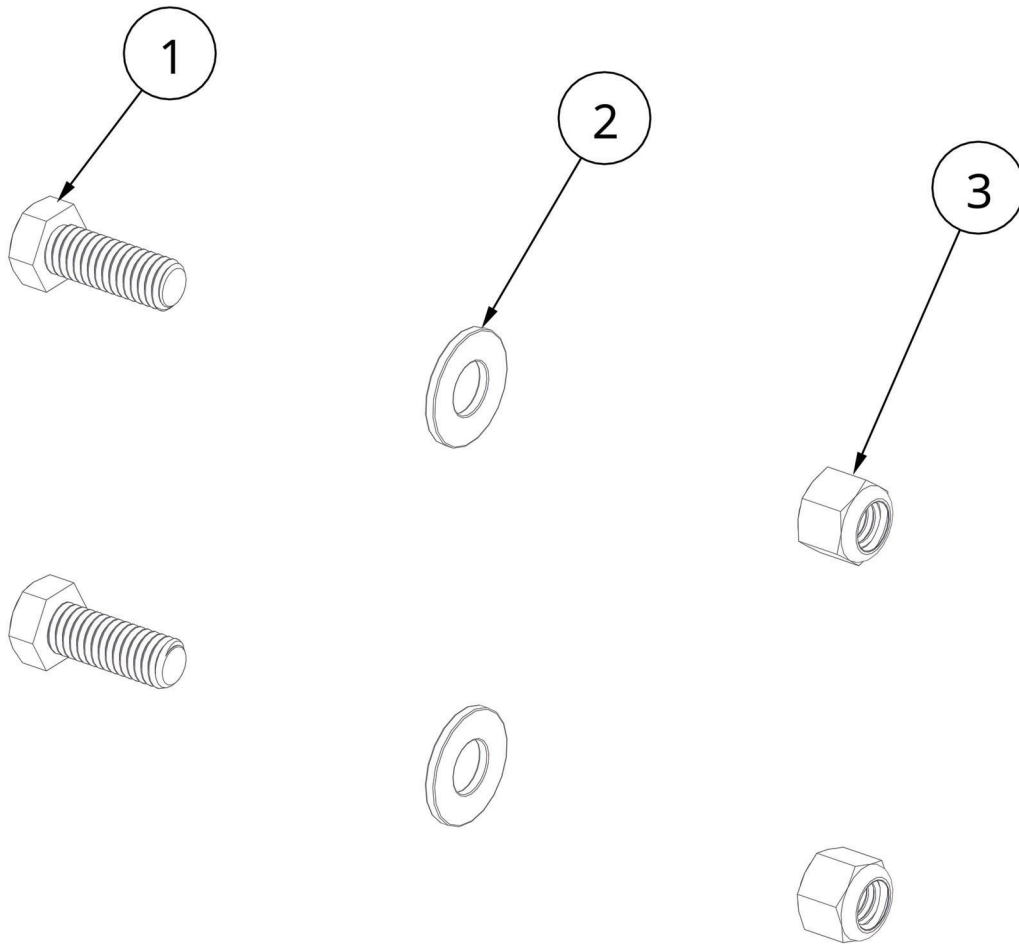
REMOVE BIRD DETERRENT UPRIGHTS FROM DOCK SECTIONS
DURING INSTALLATION/REMOVAL OF DOCKS.

WARNING

THE LINE STRUNG BETWEEN THE UPRIGHTS CAN BE A TRIPPING HAZARD

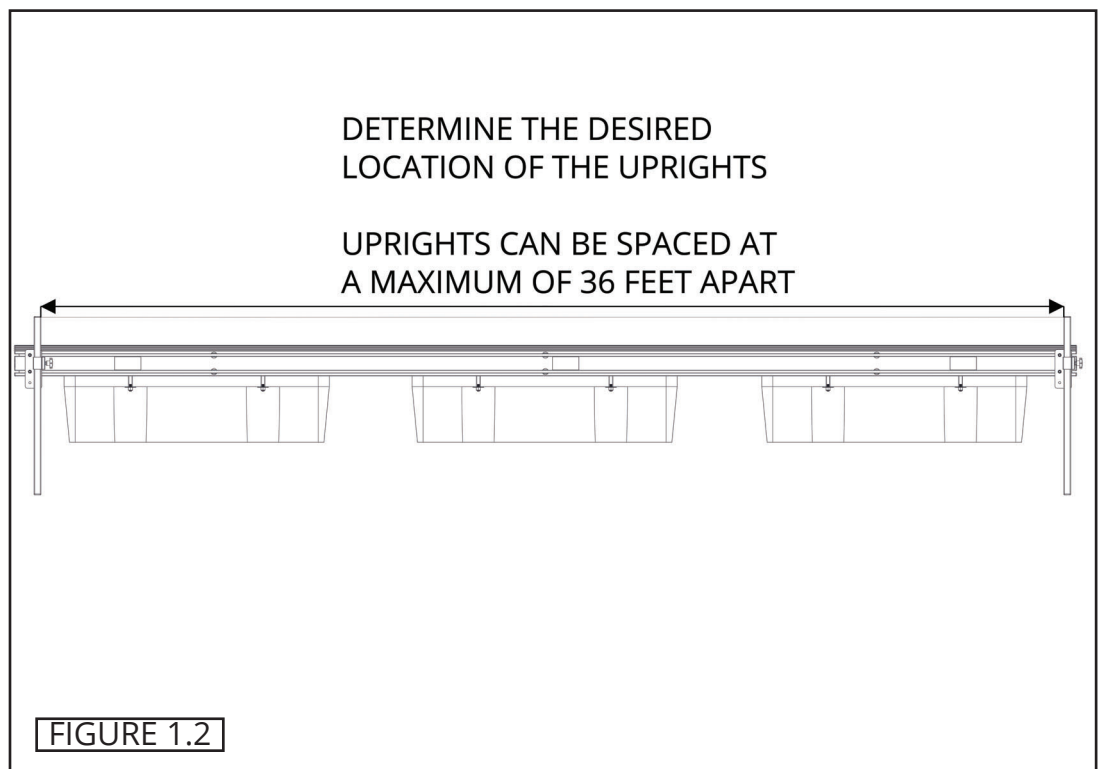
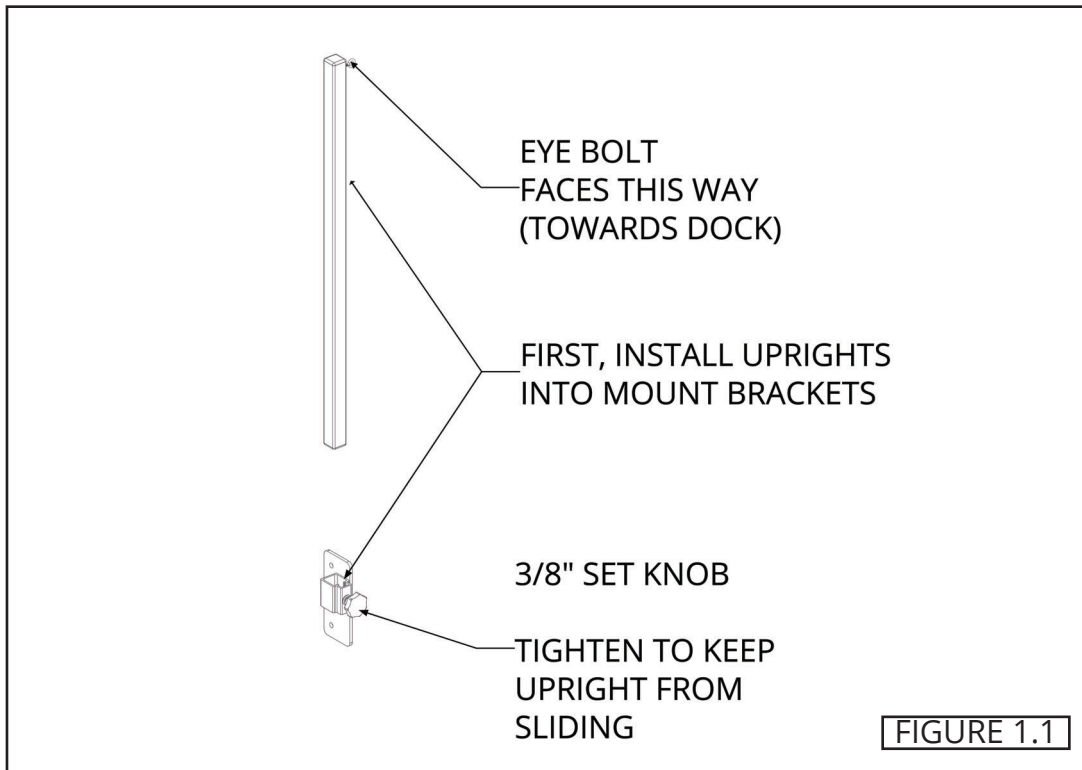
BILL OF MATERIALS/EXPLODED VIEW

NUMBER	PART NUMBER	QTY	DESCRIPTION
	510-02672-00	1	KIT, FLOATING DOCK BIRD DETERRENT ATT.
1	001-70105-00	4	HHCS, 3/8-16 X 1" 18-8 SS
2	001-71017-00	4	FLAT WASHER, 3/8" SAE SS 18-8
3	001-76071-00	4	NUT, NYLOCK 3/8-16 ALUM.

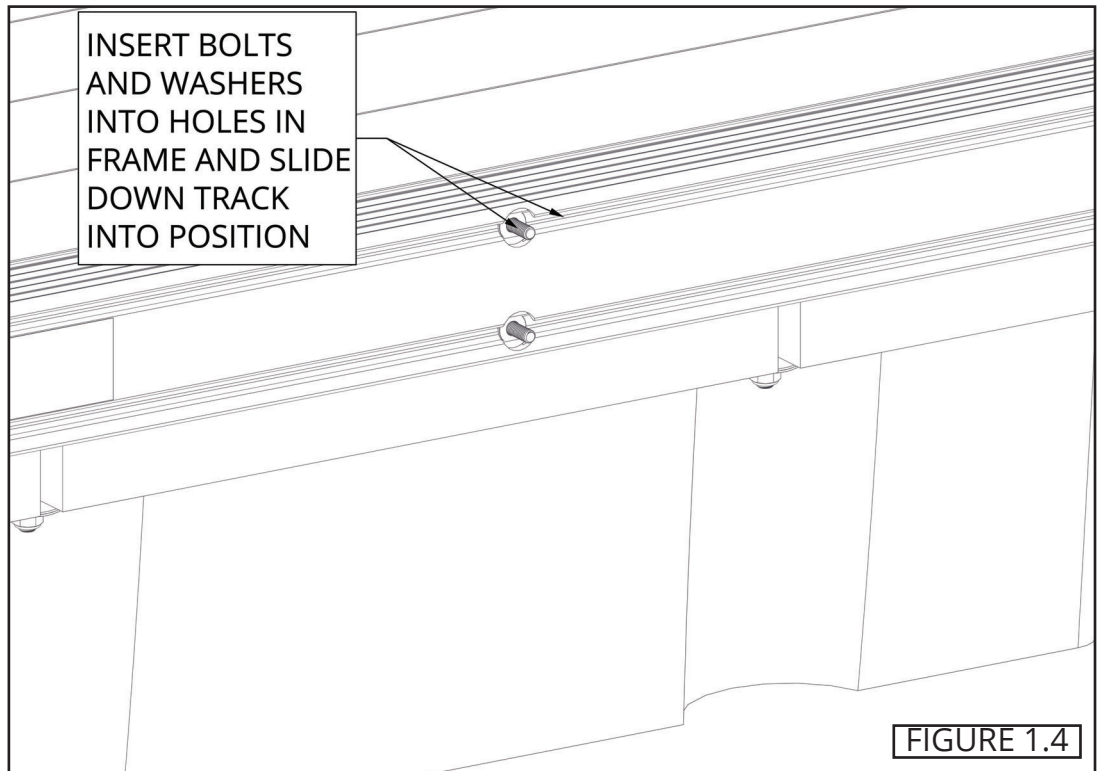
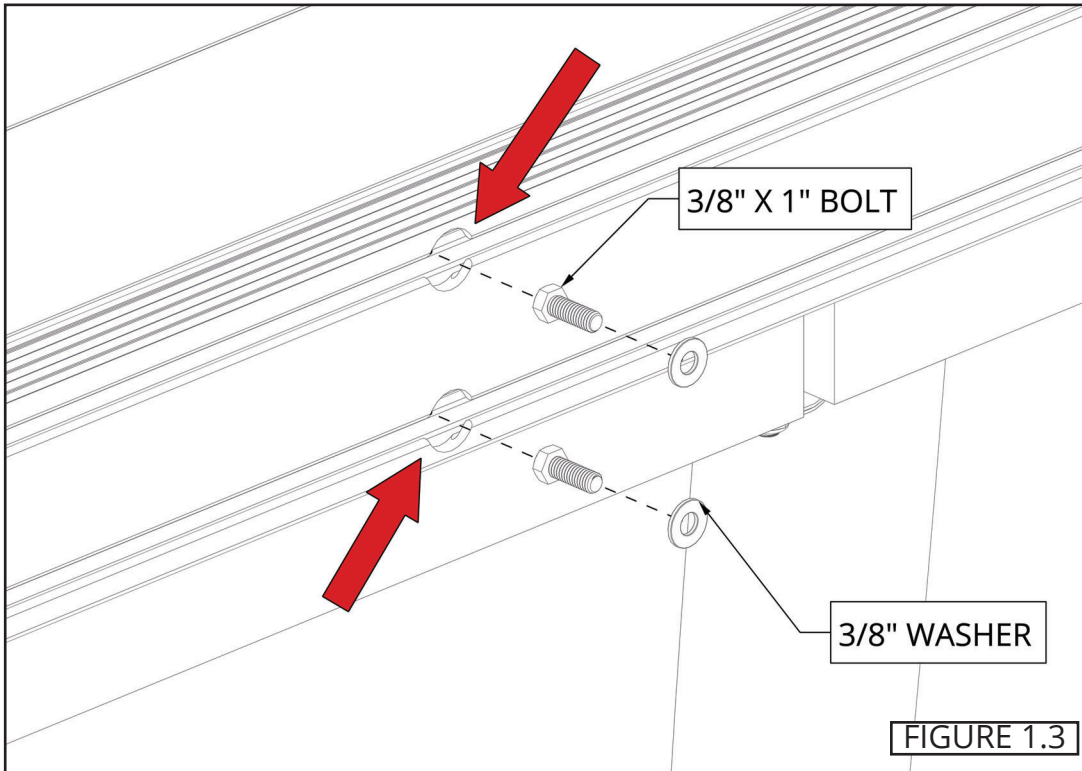


INSTALLATION

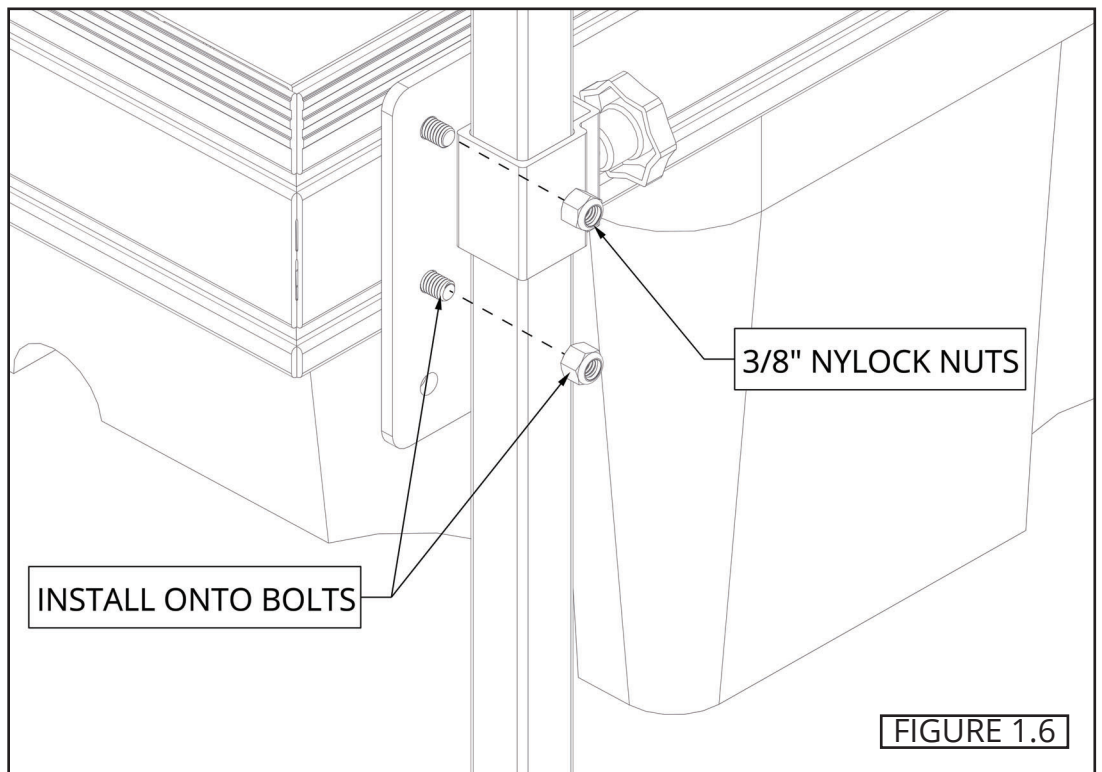
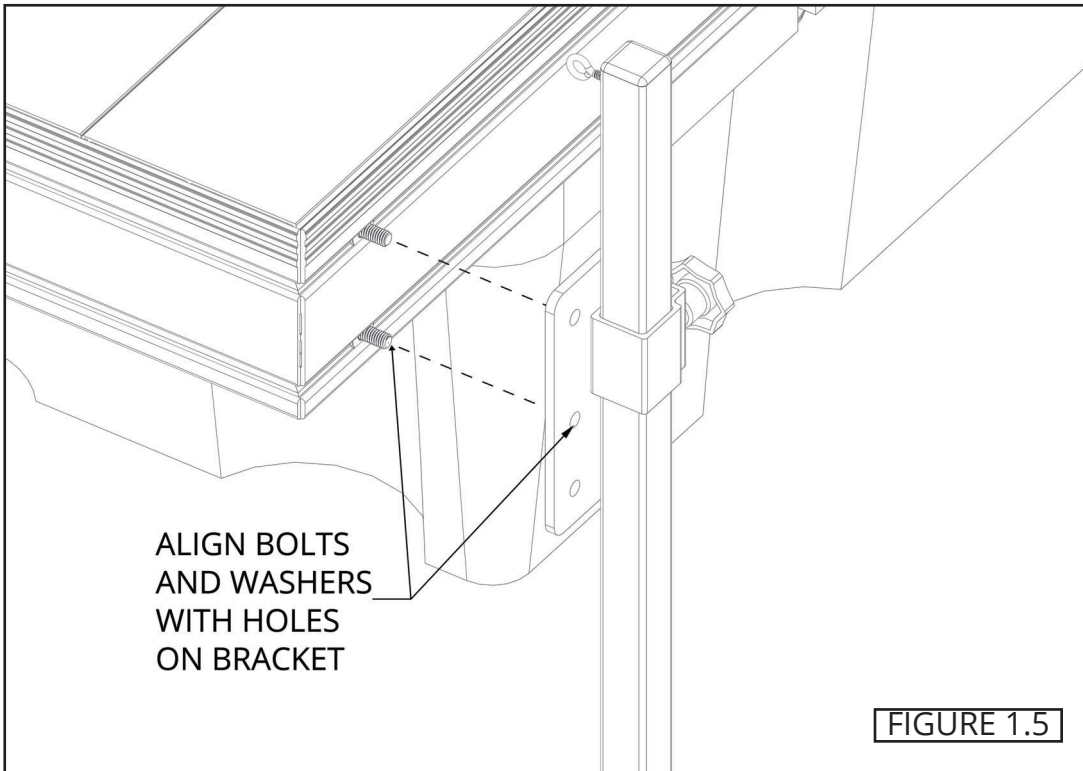
INSTALL THE UPRIGHTS INTO THE MOUNTING BRACKETS WITH THE UPRIGHT ORIENTED AS SHOWN. THE EYE BOLT SIDE OF THE UPRIGHT WILL FACE TOWARDS THE DOCK (FIGURE 1.1). DETERMINE THE DESIRED LOCATION OF THE BIRD DETERRENT UPRIGHTS. THE UPRIGHTS CAN BE SPACED UP TO 36 FEET APART, SPANNING MULTIPLE DOCK SECTIONS (FIGURE 1.2).



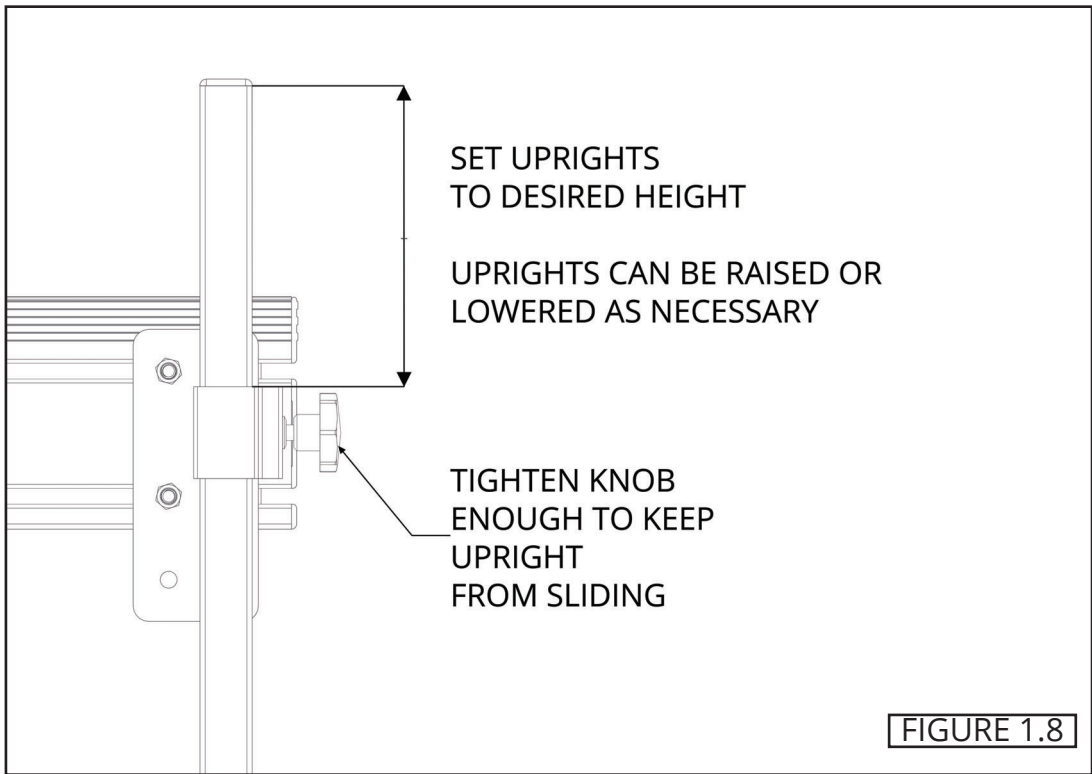
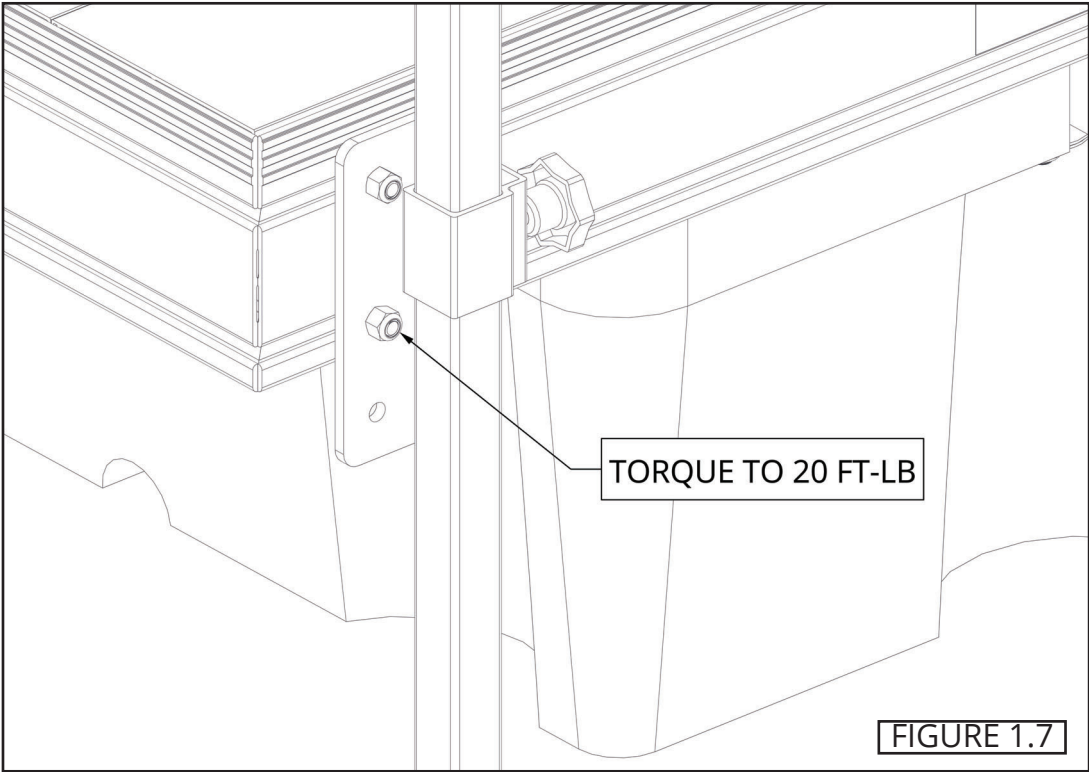
PLACE A 3/8" WASHER ONTO EACH 3/8" X 1" BOLT (FIGURE 1.3), THEN INSERT THE HEX HEAD END AND WASHER INTO THE TRACK ON THE DOCK SIDE (2 SETS ON THE TOP TRACK, 2 SETS ON THE BOTTOM TRACK) (FIGURE 1.4).



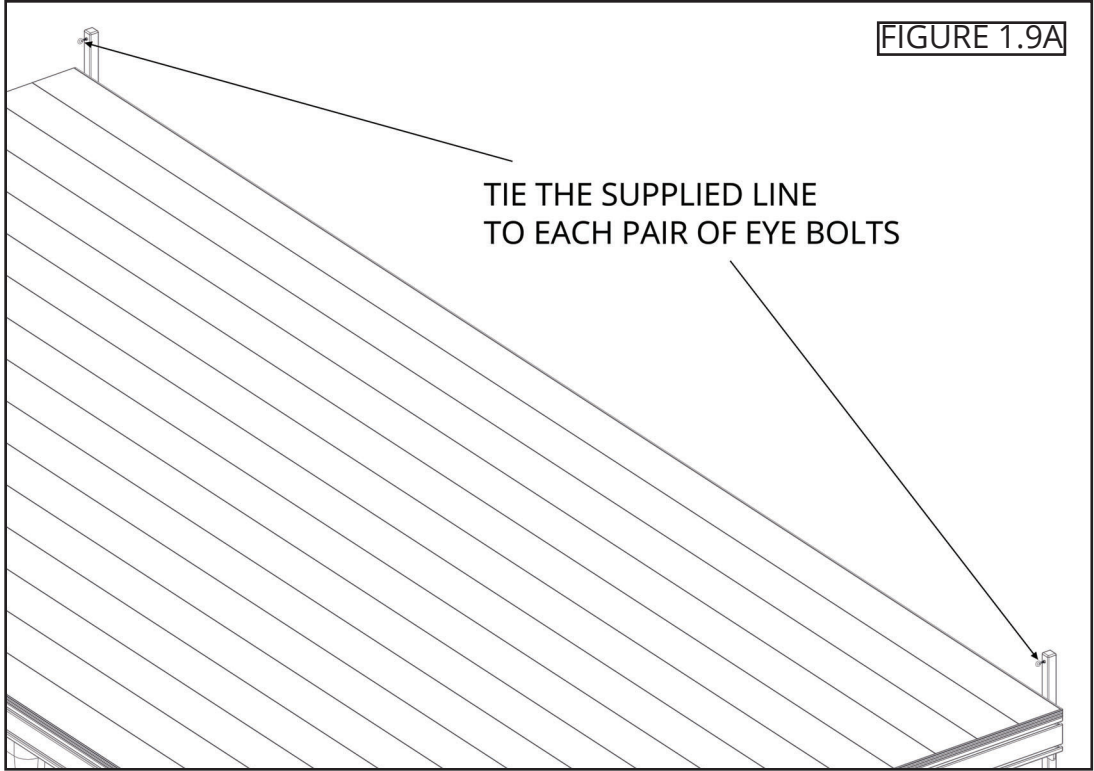
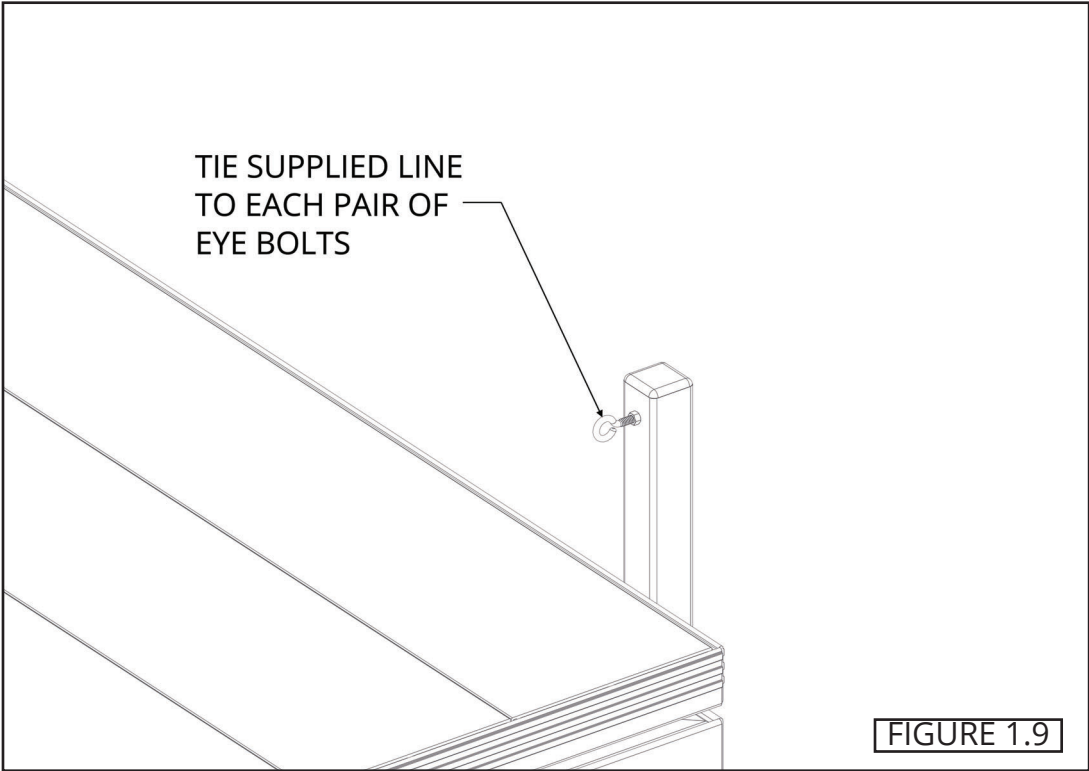
ALIGN THE BOLTS IN THE TRACKS WITH THE HOLES IN THE BRACKETS (FIGURE 1.5). INSTALL A 3/8" NYLOCK NUT ONTO EACH BOLT (FIGURE 1.6).



TORQUE ALL NUTS TO 20 FT-LB (FIGURE 1.7). SET THE UPRIGHTS TO THE DESIRED HEIGHT. NOTE THAT THE UPRIGHTS CAN BE RAISED OR LOWERED AS NECESSARY. TIGHTEN THE SET KNOB TO KEEP THE UPRIGHT FROM SLIDING. DO NOT OVERTIGHTEN (FIGURE 1.8).



TIE THE LINE SUPPLIED WITH THE BIRD DETERRENT KIT TO EACH PAIR OF UPRIGHTS AT THE EYE BOLT (FIGURE 1.9 & 1.9A).





FLOE INTERNATIONAL, INC.
48473 STATE HIGHWAY 65 • MCGREGOR, MN 55760
www.floeintl.com

*All material copyright © 2026 FLOE International, Inc.
Specifications subject to change without notice.*