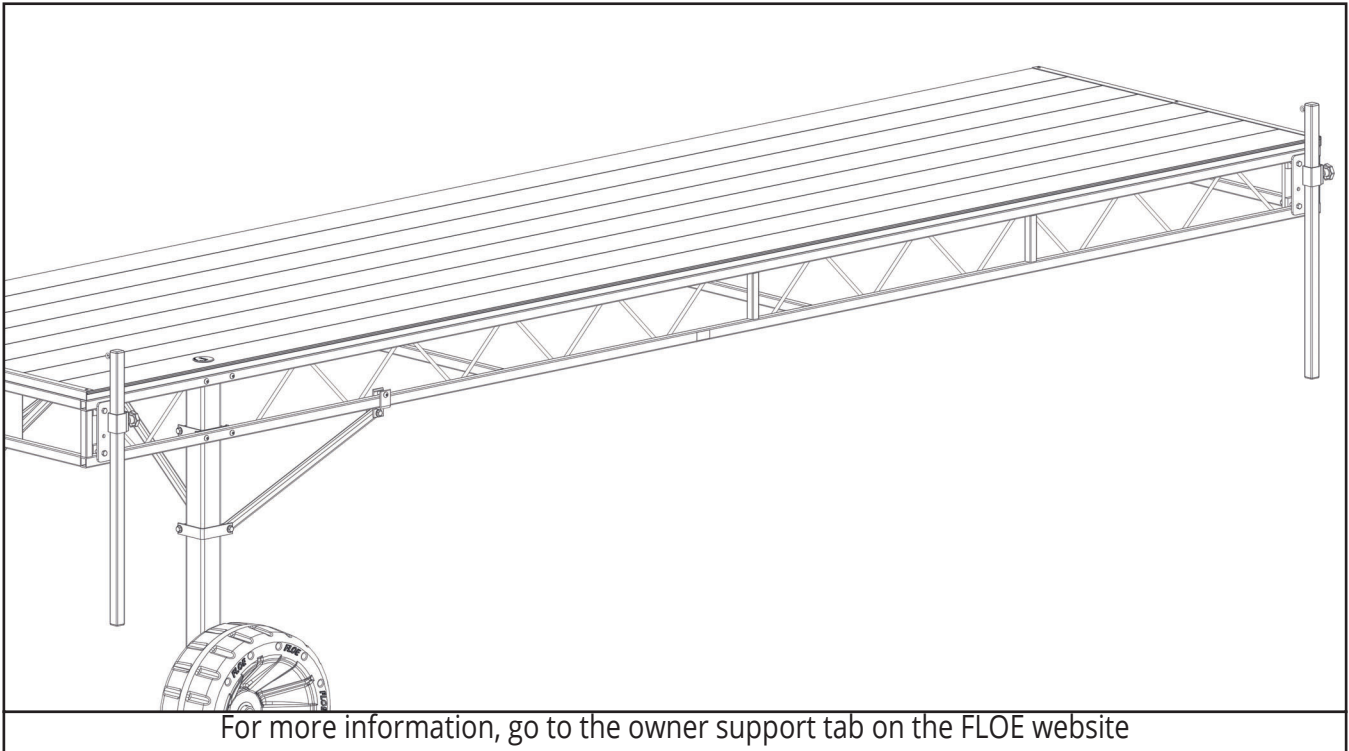




ASSEMBLY INSTRUCTIONS

FLOE STANDARD ROLL-IN DOCK DOCK BIRD DETERRENT ATTACHMENT KIT

P/N 510-02672-00



For more information, go to the owner support tab on the FLOE website

*DOCK, WHEEL KITS, AND BIRD DETERRENT KIT NOT INCLUDED

TOOLS REQUIRED

- (2) 9/16" SOCKETS/WRENCHES
 - TORQUE WRENCH
 - TAPE MEASURE
- DOCK BIRD DETERRENT INSTRUCTIONS

IMPORTANT

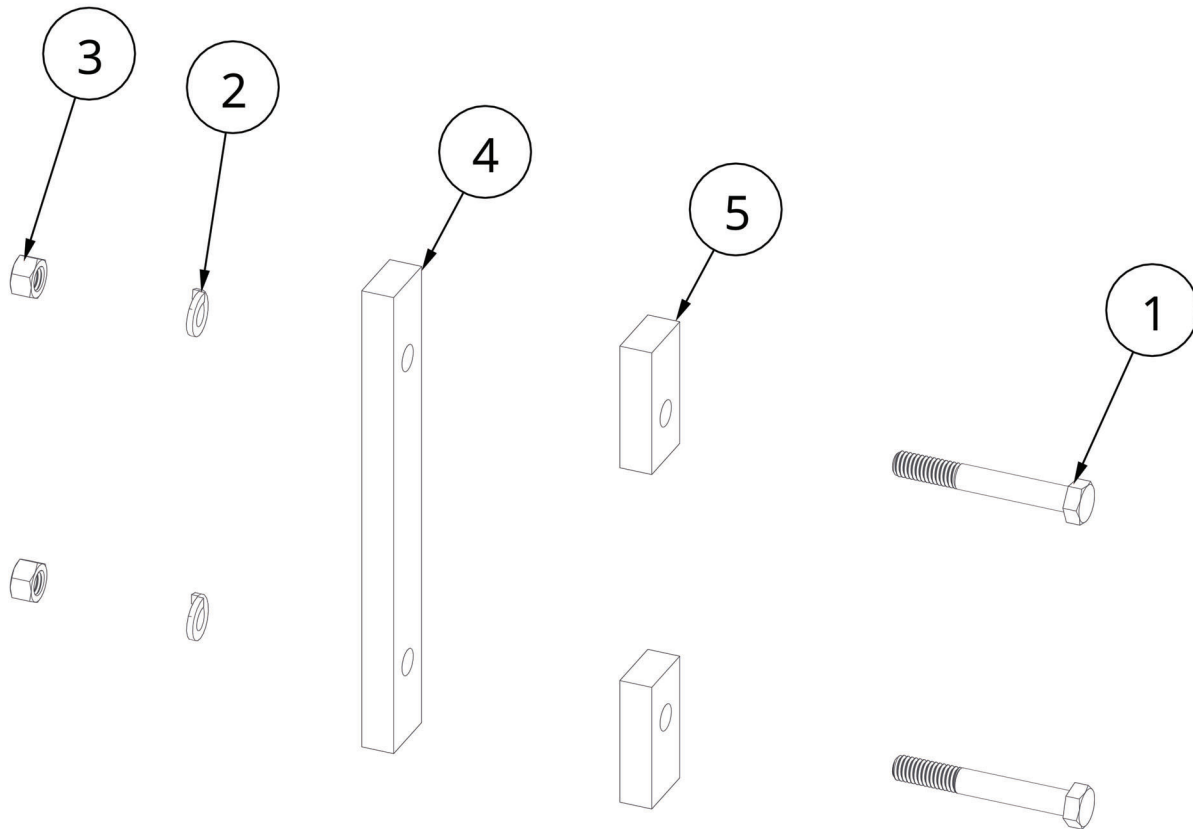
REMOVE BIRD DETERRENT UPRIGHTS FROM DOCK SECTIONS
DURING INSTALLATION/REMOVAL OF DOCKS.

WARNING

THE LINE STRUNG BETWEEN THE UPRIGHTS CAN BE A TRIPPING HAZARD

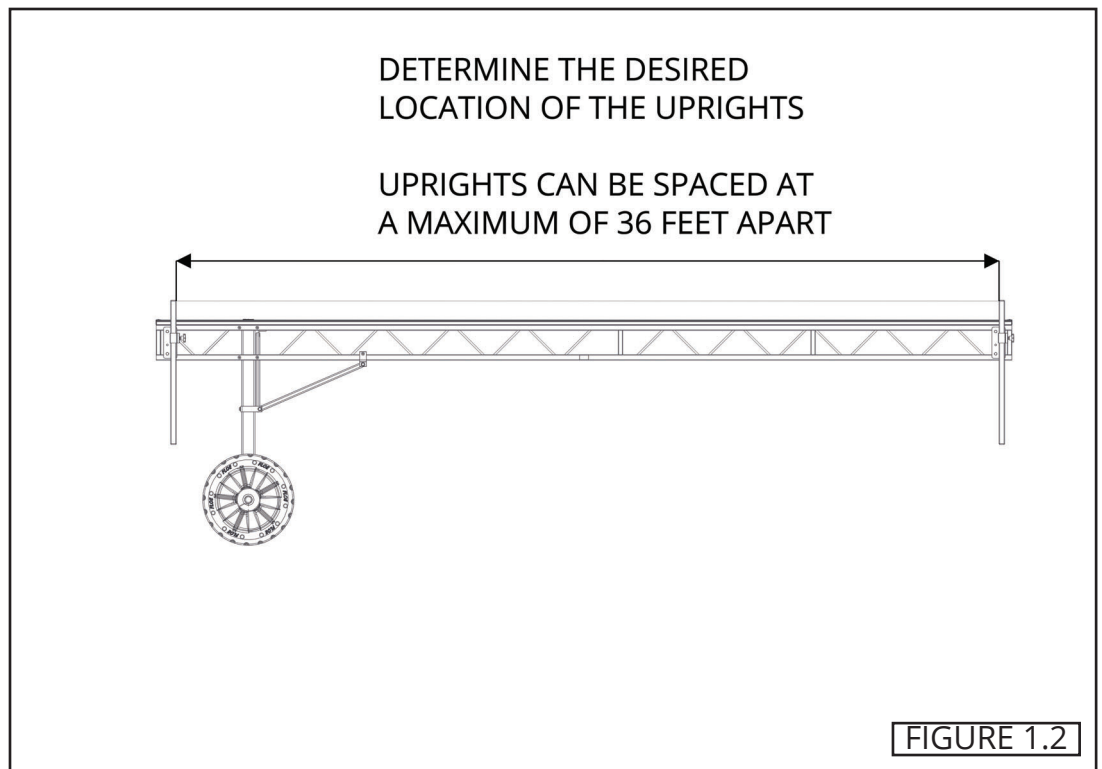
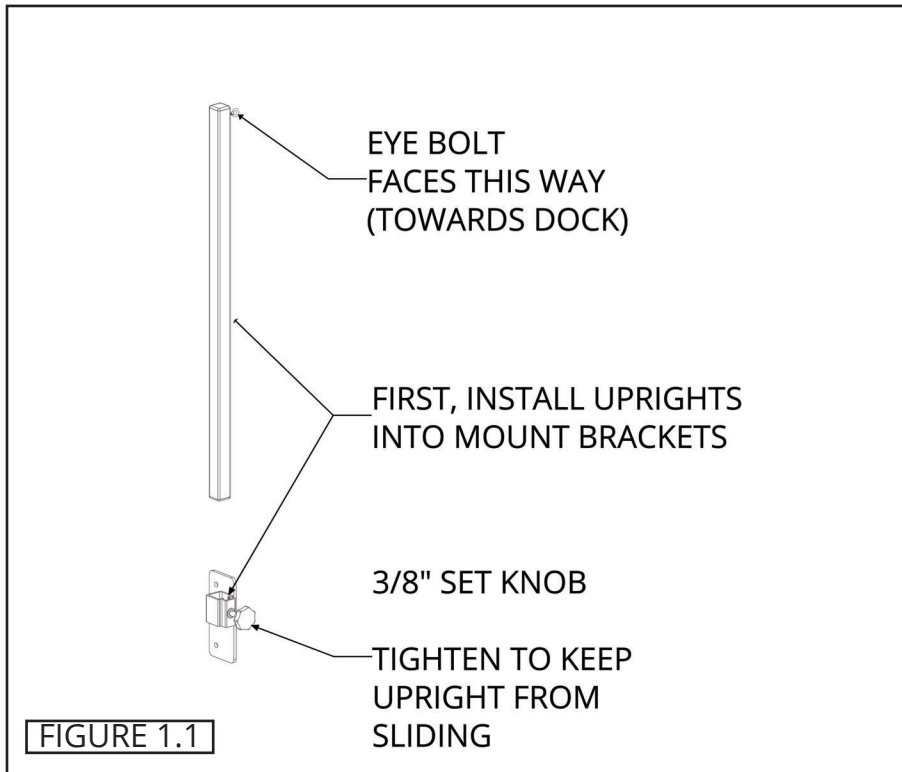
BILL OF MATERIALS/EXPLODED VIEW

NUMBER	PART NUMBER	QTY	DESCRIPTION
	510-02672-00	1	KIT, STD. ROLL-IN BIRD DETERRENT ATT.
1	001-70114-00	4	HHCS, 3/8-16 X 2-3/4" 18-8 SS
2	001-71067-00	4	LOCK WASHER, 3/8" S/W SS 18-8
3	001-76349-00	4	NUT, 3/8-16 ALUM
4	002-02203-00	2	PLATE, DOCK ACCESSORY
5	002-02204-00	4	SPACER, DOCK ACCESSORY

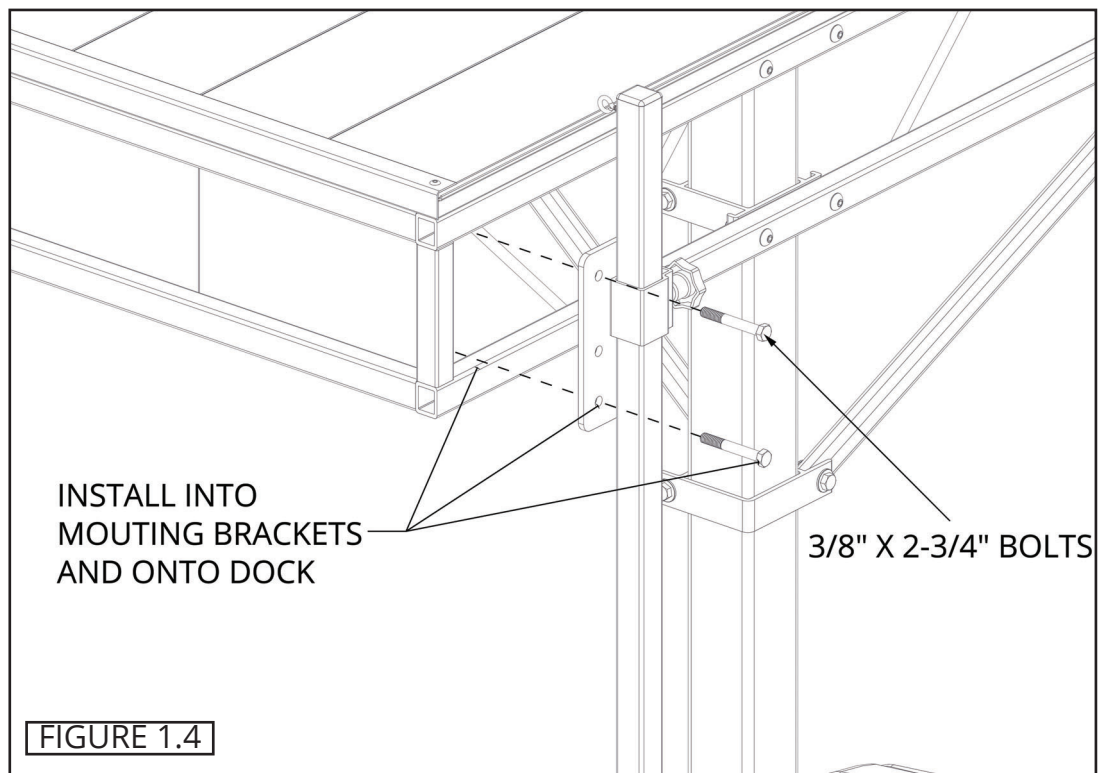
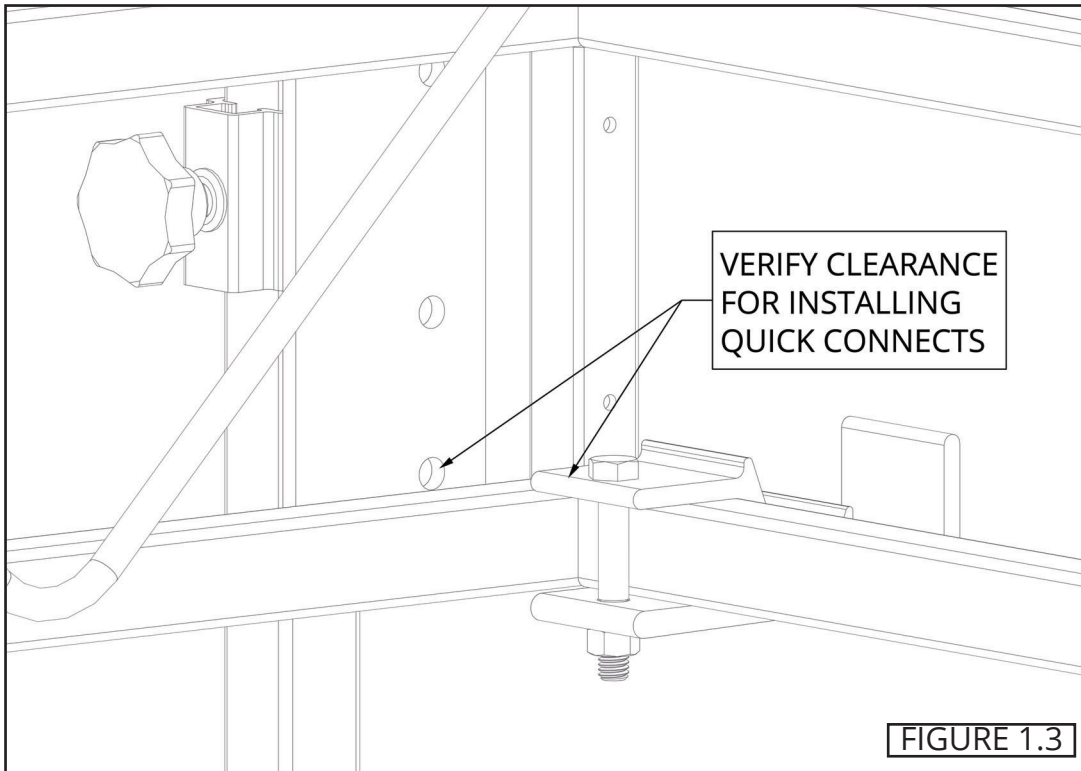


INSTALLATION

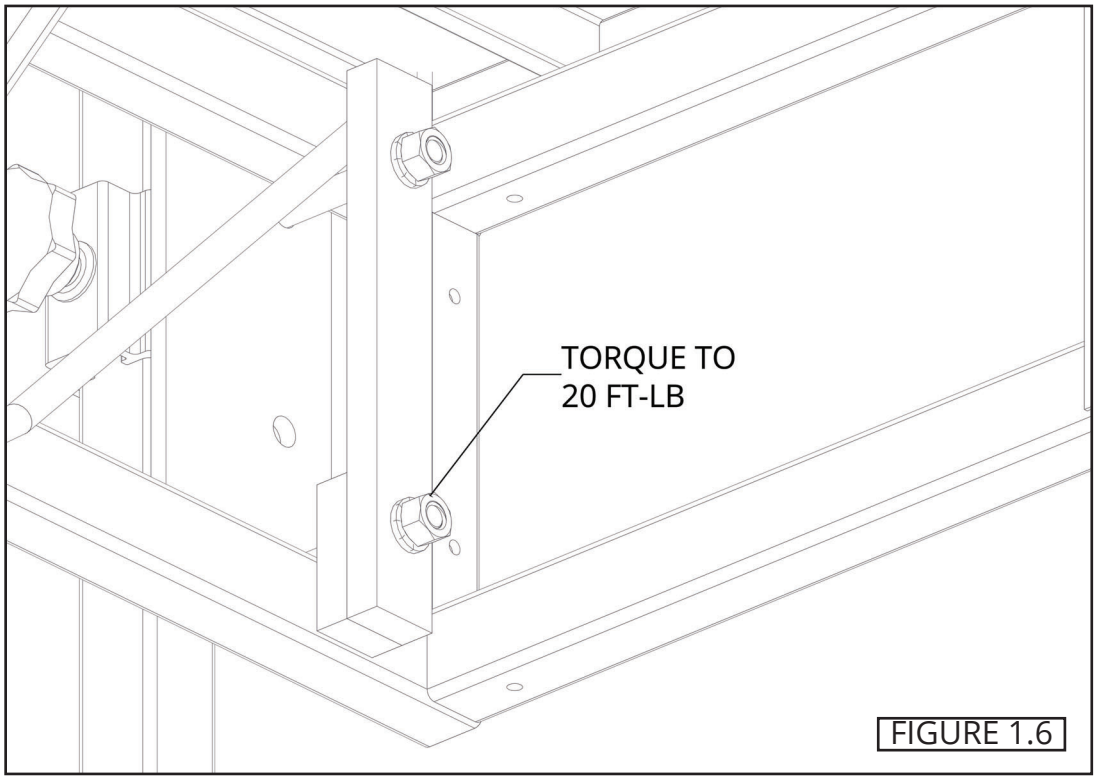
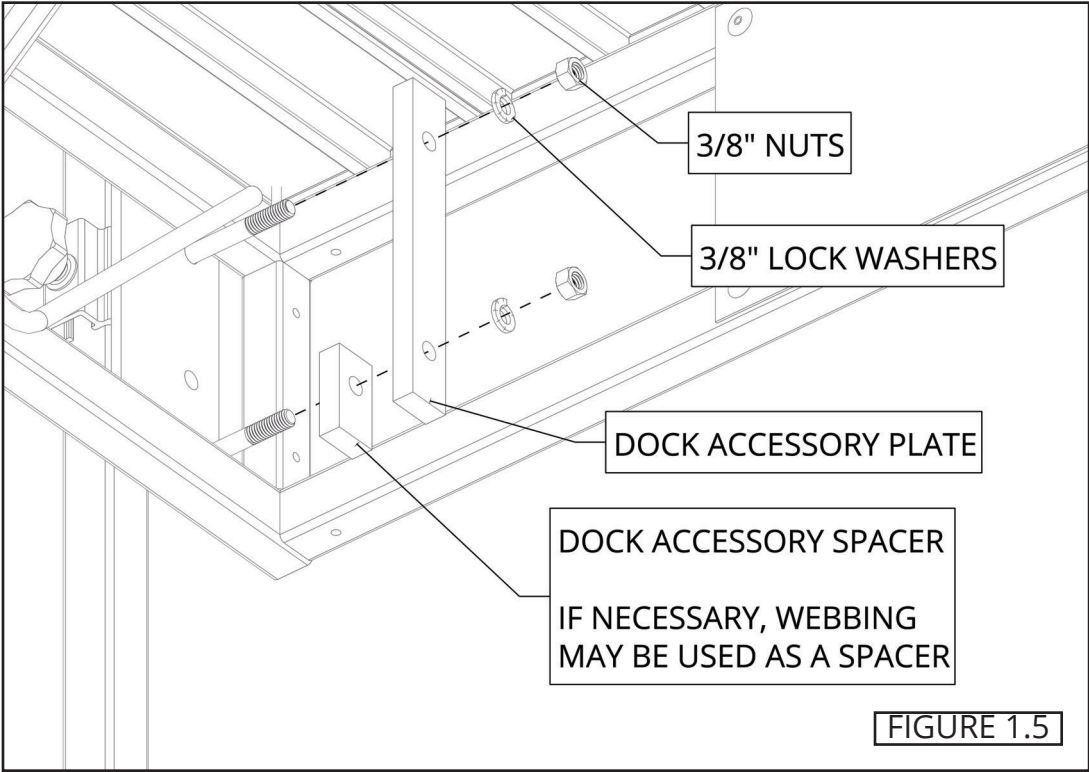
INSTALL THE UPRIGHTS INTO THE MOUNTING BRACKETS WITH THE UPRIGHT ORIENTED AS SHOWN. THE EYE BOLT SIDE OF THE UPRIGHT WILL FACE TOWARDS THE DOCK (FIGURE 1.1). DETERMINE THE DESIRED LOCATION OF THE BIRD DETERRENT UPRIGHTS. THE UPRIGHTS CAN BE SPACED UP TO 36 FEET APART, SPANNING MULTIPLE DOCK SECTIONS (FIGURE 1.2). **NOTE: ENSURE THAT HARDWARE WILL NOT INTERFERE WITH THE INSTALLATION OF QUICK CONNECTS (FIGURE 1.3).**



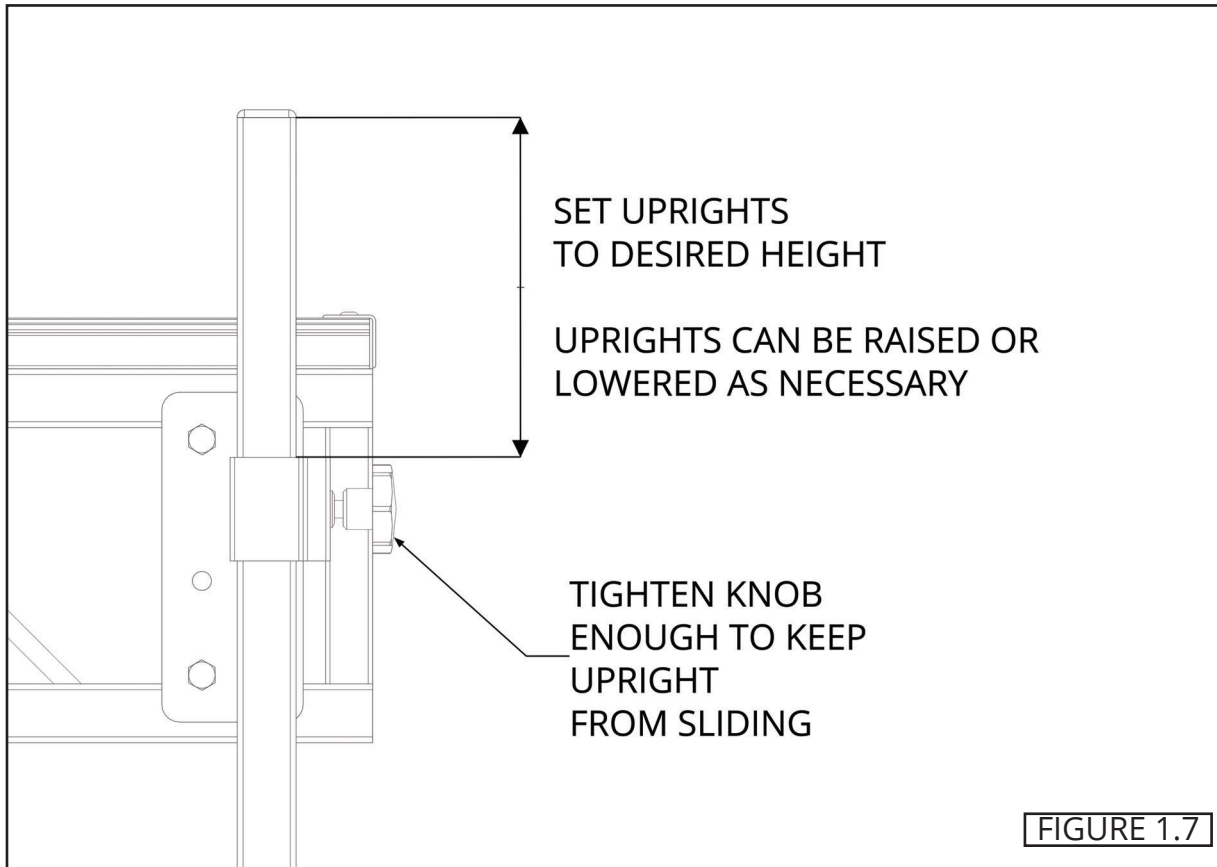
NOTE: ENSURE THAT HARDWARE WILL NOT INTERFERE WITH THE INSTALLATION OF QUICK CONNECTS (FIGURE 1.3). INSTALL (2) 3/8" X 2-3/4" BOLTS INTO EACH MOUNTING BRACKET AND PLACE ONTO THE DOCK SIDE (FIGURE 1.4).



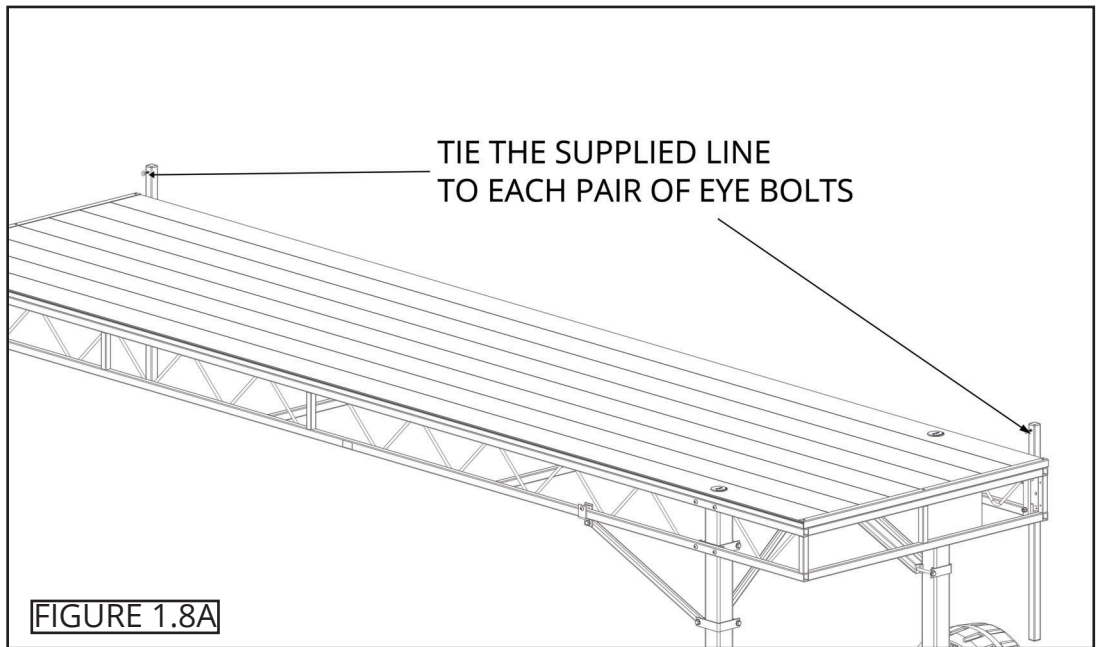
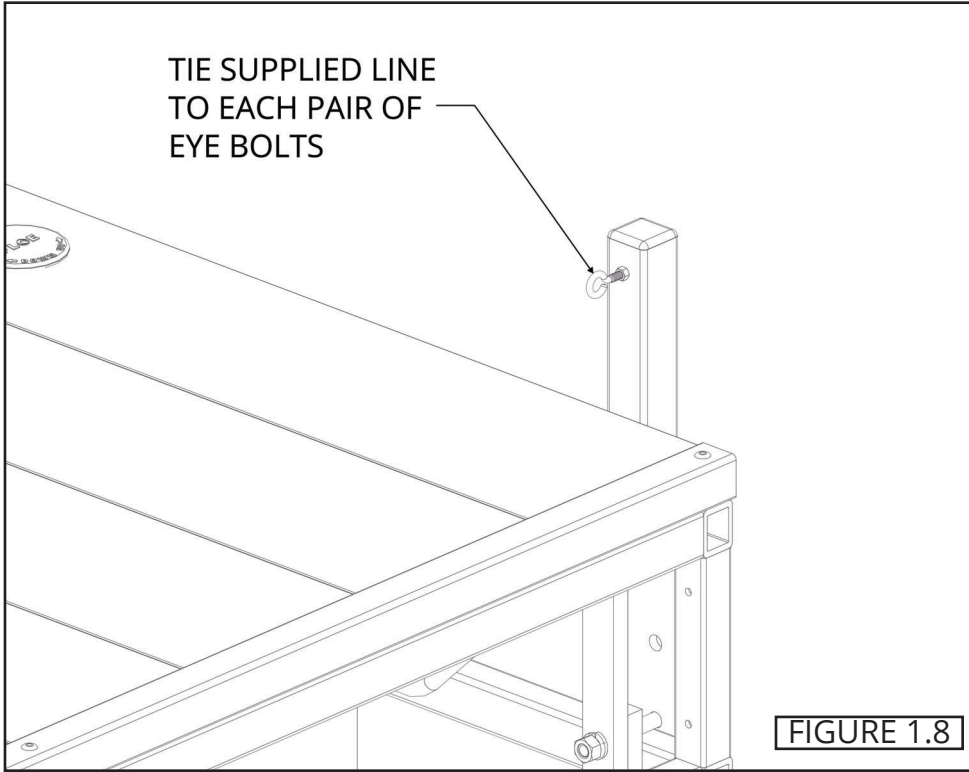
INSTALL THE SPACERS AND PLATES ONTO THE BOLTS ON THE INSIDE OF THE DOCK FRAME (IF NECESSARY, WEBBING MAY BE USED AS A SPACER). INSTALL A 3/8" LOCK WASHER AND 3/8" NUT ONTO EACH BOLT (FIGURE 1.5). TORQUE ALL NUTS TO 20 FT-LB (FIGURE 1.6).



SET THE UPRIGHTS TO THE DESIRED HEIGHT. NOTE THAT THE UPRIGHTS CAN BE RAISED OR LOWERED AS NECESSARY. TIGHTEN THE SET KNOB TO KEEP THE UPRIGHT FROM SLIDING. DO NOT OVERTIGHTEN (FIGURE 1.7).



TIE THE LINE SUPPLIED WITH THE BIRD DETERRENT KIT TO EACH PAIR OF UPRIGHTS AT THE EYE BOLT (FIGURE 1.8 & 1.8A).





FLOE INTERNATIONAL, INC.
48473 STATE HIGHWAY 65 • MCGREGOR, MN 55760
www.floeintl.com

*All material copyright © 2026 FLOE International, Inc.
Specifications subject to change without notice.*