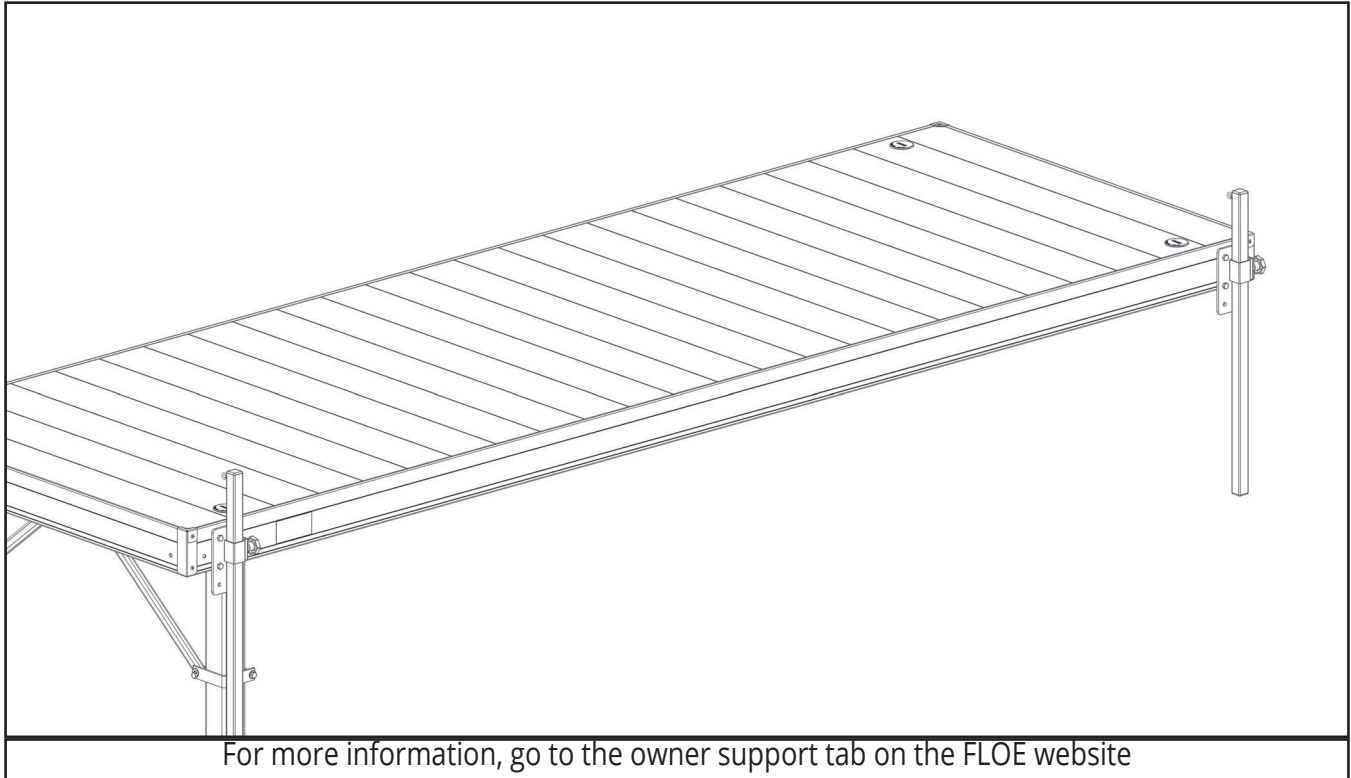




# ASSEMBLY INSTRUCTIONS

## FLOE STANDARD SECTIONAL DOCK DOCK BIRD DETERRENT ATTACHMENT KIT

P/N 510-02671-00



For more information, go to the owner support tab on the FLOE website

\*DOCK, DOCK LEGS, AND BIRD DETERRENT KIT NOT INCLUDED

### TOOLS REQUIRED

- (2) 9/16" SOCKETS/WRENCHES
  - TORQUE WRENCH
  - CORDLESS DRILL
  - 13/32" DRILL BIT
- CLAMP (MIN. 4" OPENING)
  - TAPE MEASURE
  - 6" SPEED SQUARE
- DOCK BIRD DETERRENT INSTRUCTIONS

### IMPORTANT

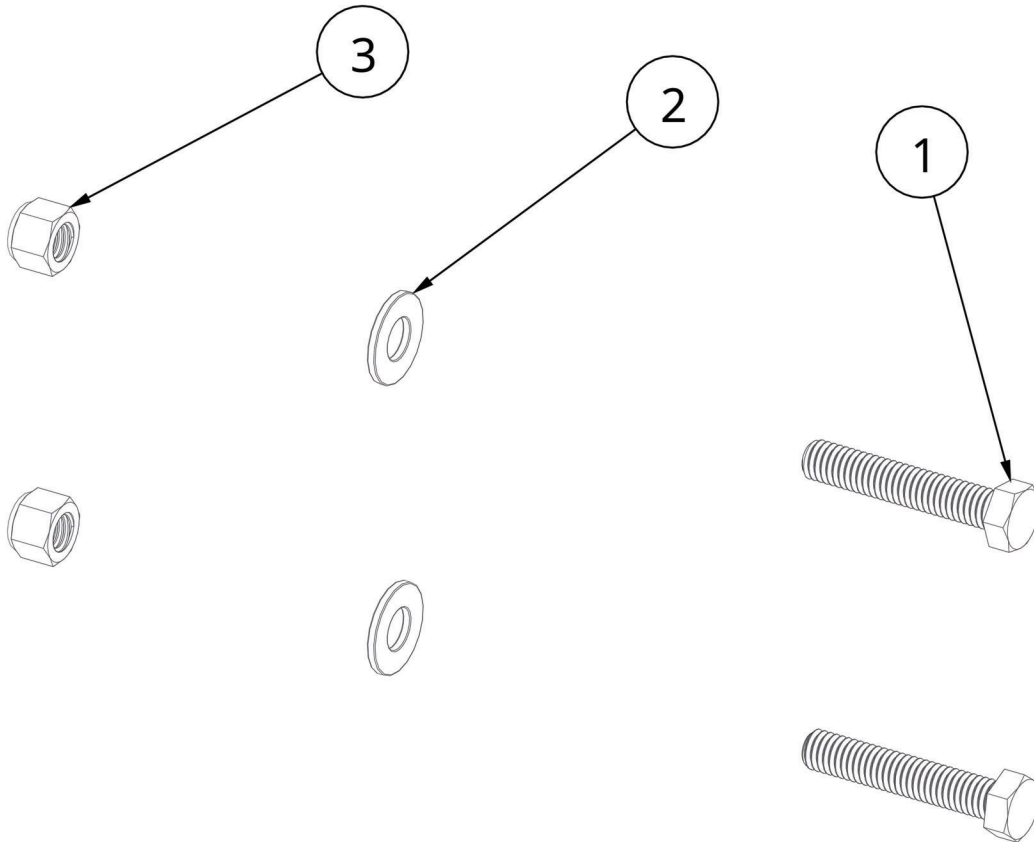
REMOVE BIRD DETERRENT UPRIGHTS FROM DOCK SECTIONS  
DURING INSTALLATION/REMOVAL OF DOCKS.

### WARNING

THE LINE STRUNG BETWEEN THE UPRIGHTS CAN BE A TRIPPING HAZARD

# BILL OF MATERIALS/EXPLODED VIEW

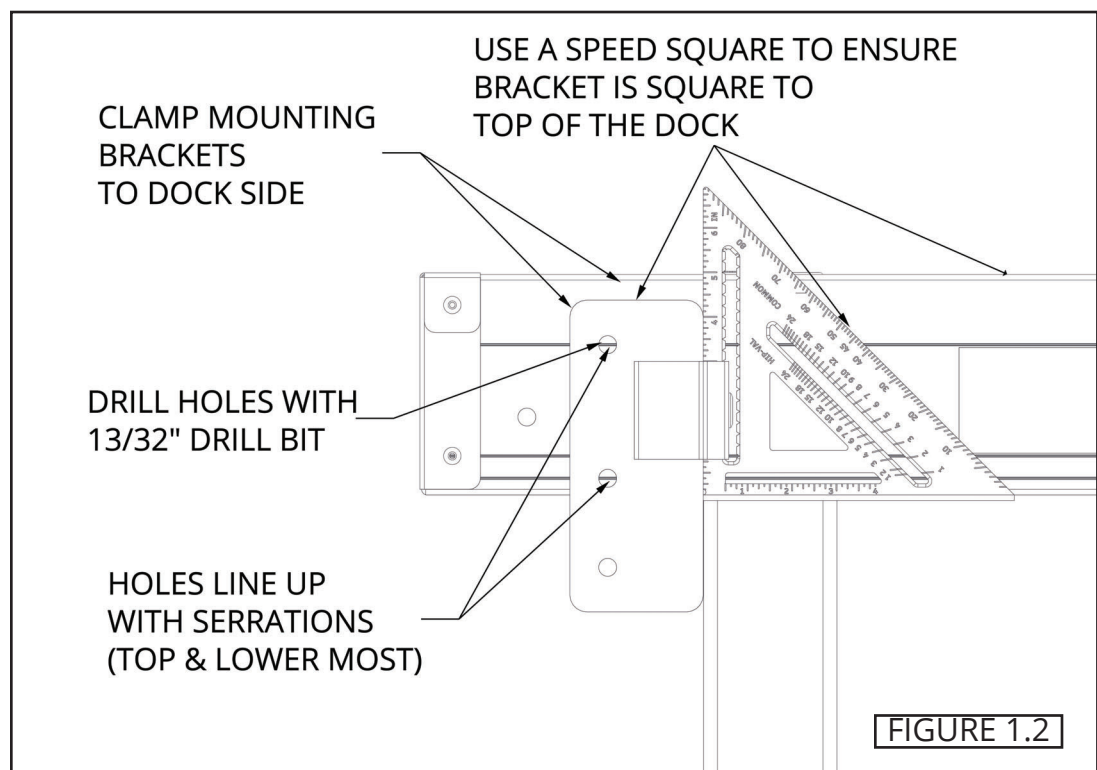
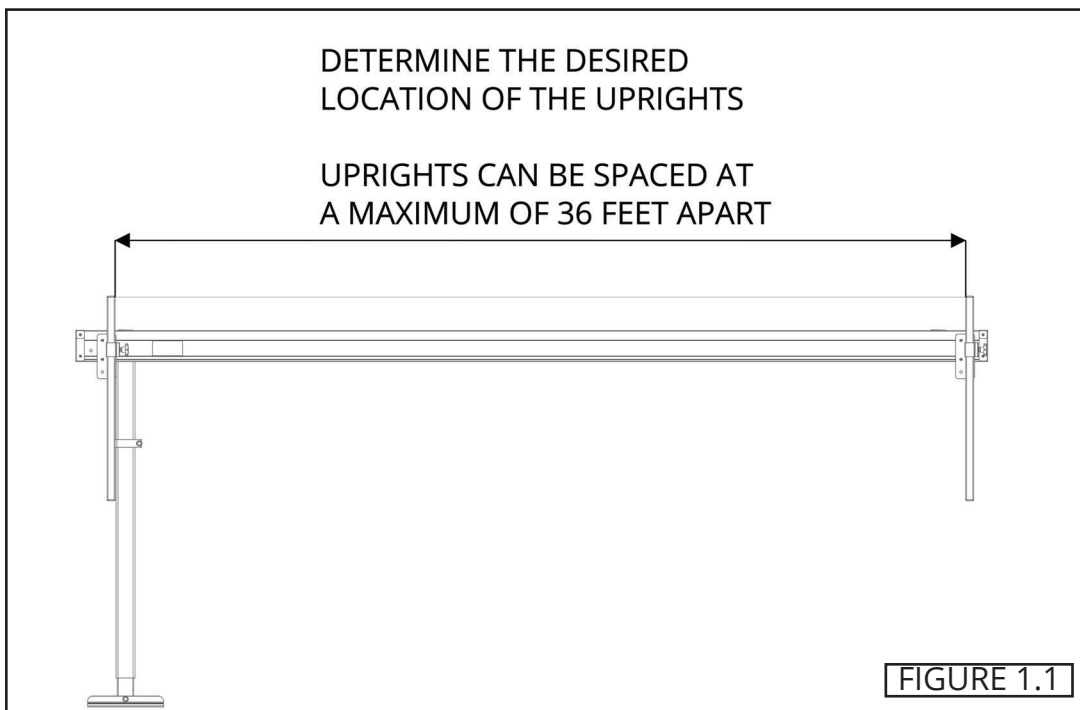
NUMBER	PART NUMBER	QTY	DESCRIPTION
	<b>510-02671-00</b>	<b>1</b>	<b>KIT, STD. SCTN'L. BIRD DETERRENT ATT.</b>
1	001-70111-00	4	HHCS, 3/8-16 X 2" 18-8 SS
2	001-71017-00	4	FLAT WASHER, 3/8" SAE SS 18-8
3	001-76071-00	4	NUT, NYLOCK 3/8-16 ALUM.



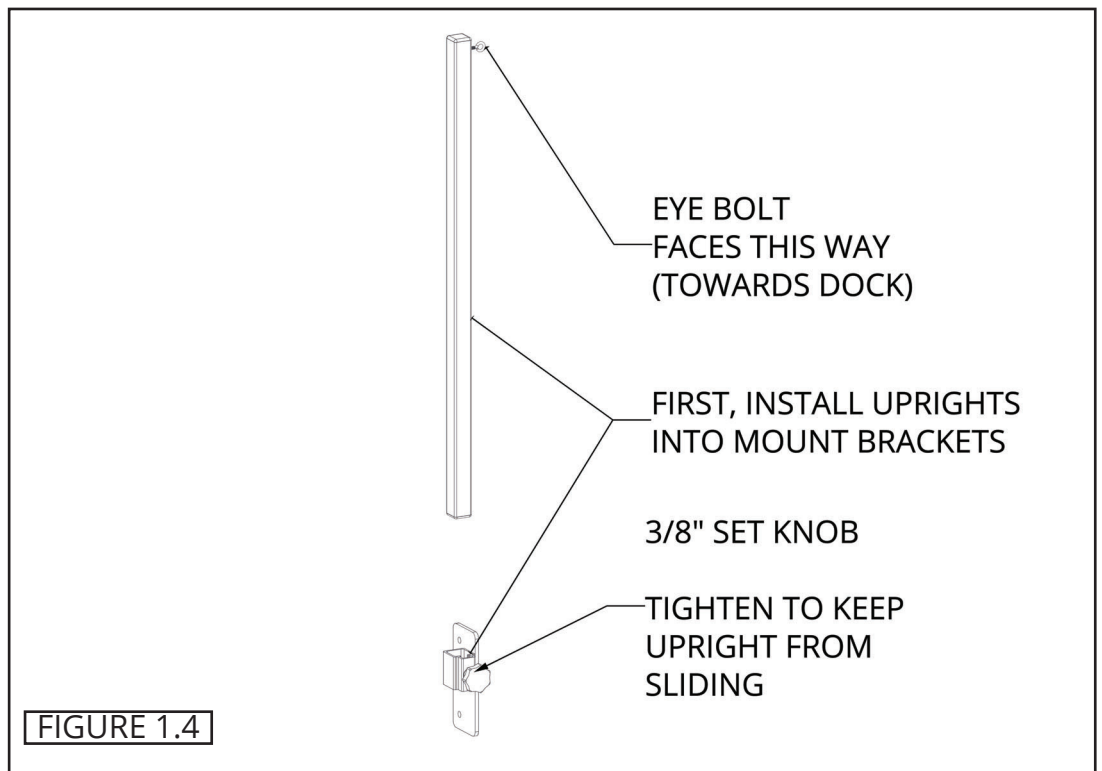
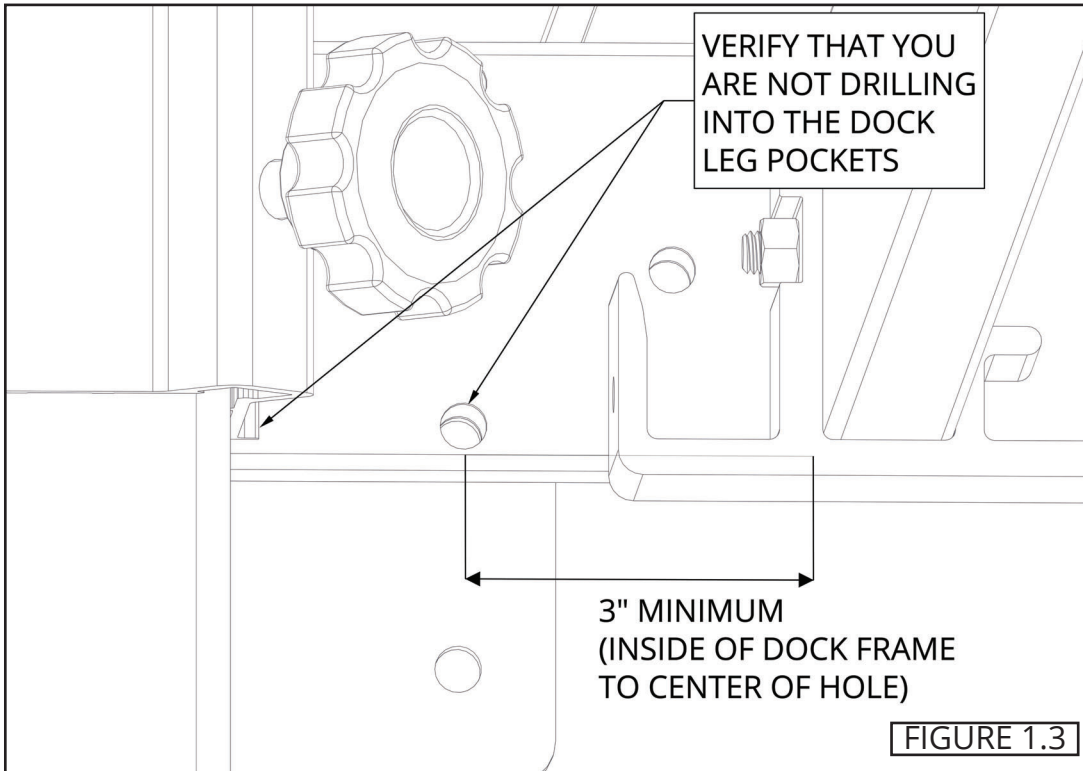
# INSTALLATION

DETERMINE THE DESIRED LOCATION OF THE BIRD DETERRENT UPRIGHTS. THE UPRIGHTS CAN BE SPACED UP TO 36 FEET APART, SPANNING MULTIPLE DOCK SECTIONS (FIGURE 1.1). WITH THE UPRIGHTS REMOVED FROM THE MOUNTING BRACKETS, REFER TO THE FIGURE BELOW ON HOW TO POSITION THE BRACKETS ON THE DOCK AND DRILL THE MOUNTING HOLES (FIGURE 1.2).

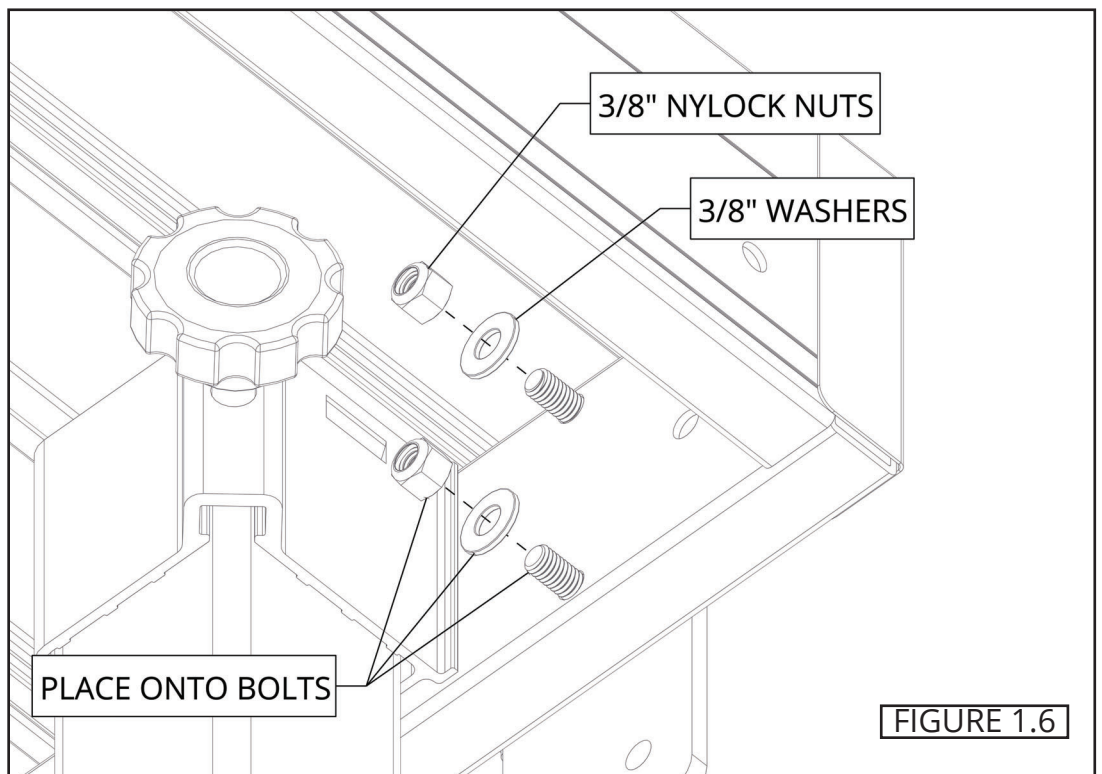
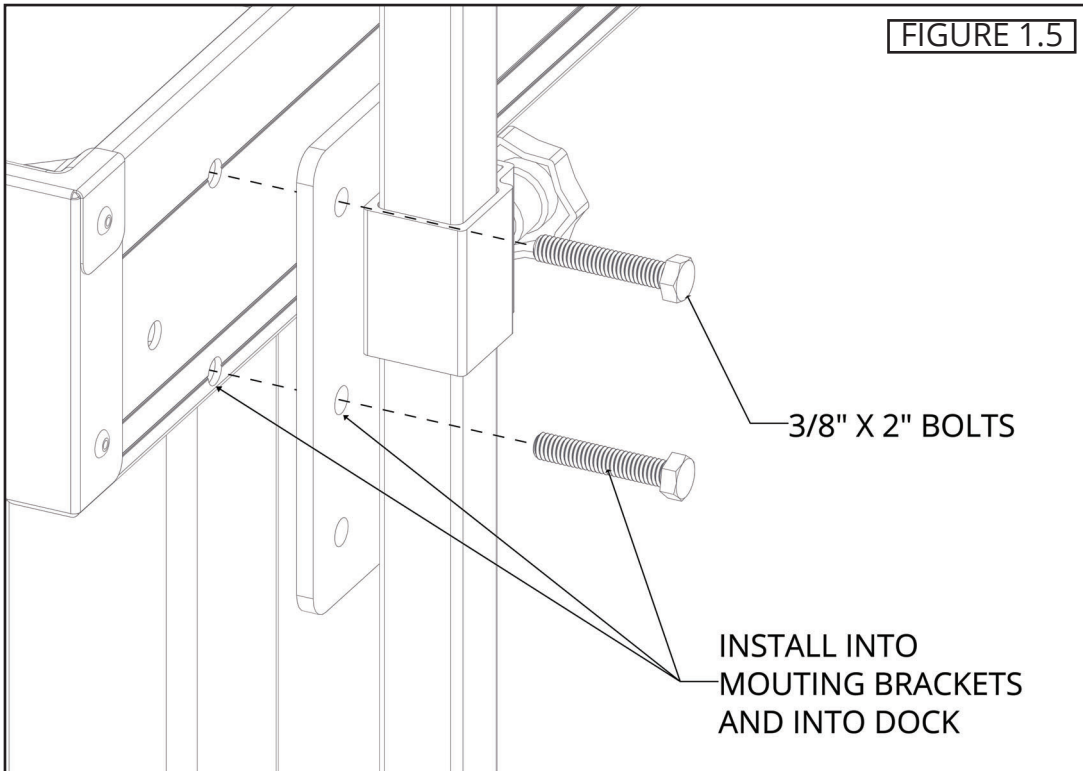
**IMPORANT: ENSURE THAT YOU ARE NOT DRILLING INTO THE POCKETS WELDED TO THE INSIDE OF THE DOCK AND THAT THE MOUNTING HOLES ARE AT LEAST 3 INCHES FROM THE INSIDE END OF THE DOCK SO THAT THE MOUNTING HARDWARE DOES NOT INTERFERE WITH THE INSTALLATION OF QUICK CONNECTS (FIGURE 1.3).**



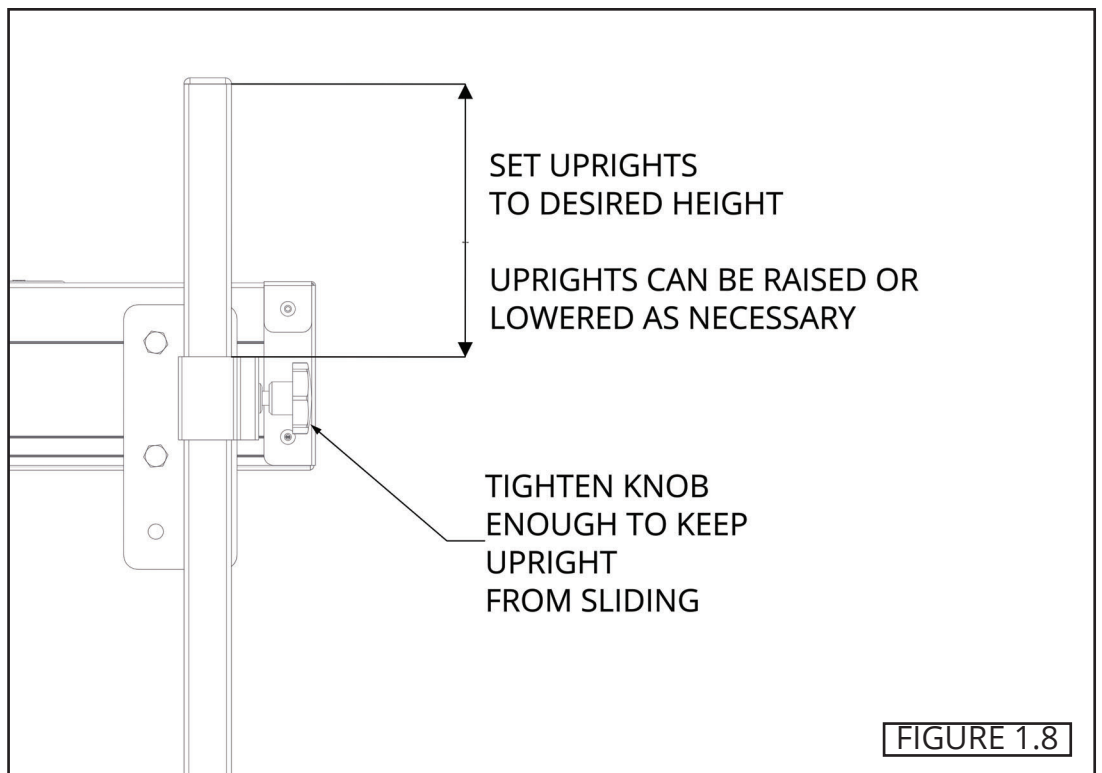
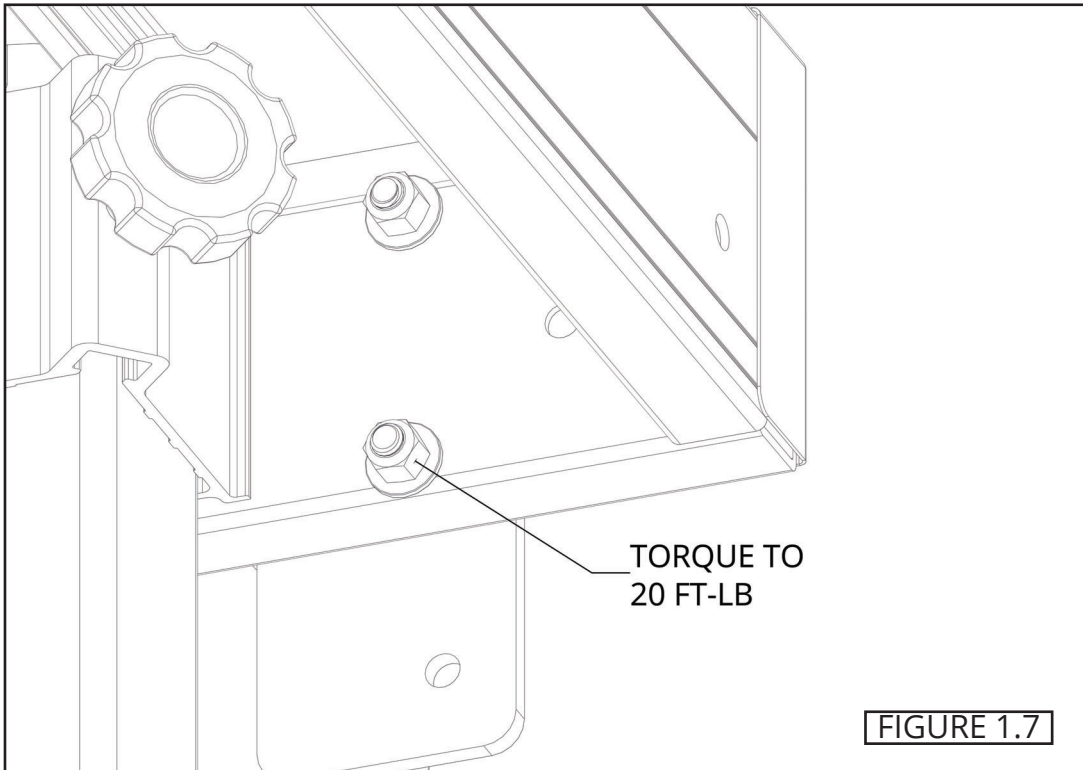
**IMPORANT: ENSURE THAT YOU ARE NOT DRILLING INTO THE POCKETS WELDED TO THE INSIDE OF THE DOCK AND THAT THE MOUNTING HOLES ARE AT LEAST 3 INCHES FROM THE INSIDE END OF THE DOCK SO THAT THE MOUNTING HARDWARE DOES NOT INTERFERE WITH THE INSTALLATION OF QUICK CONNECTS (FIGURE 1.3). INSTALL THE UPRIGHTS INTO THE MOUNTING BRACKETS WITH THE UPRIGHT ORIENTED AS SHOWN. THE EYE BOLT SIDE OF THE UPRIGHT WILL FACE TOWARDS THE DOCK (FIGURE 1.4).**



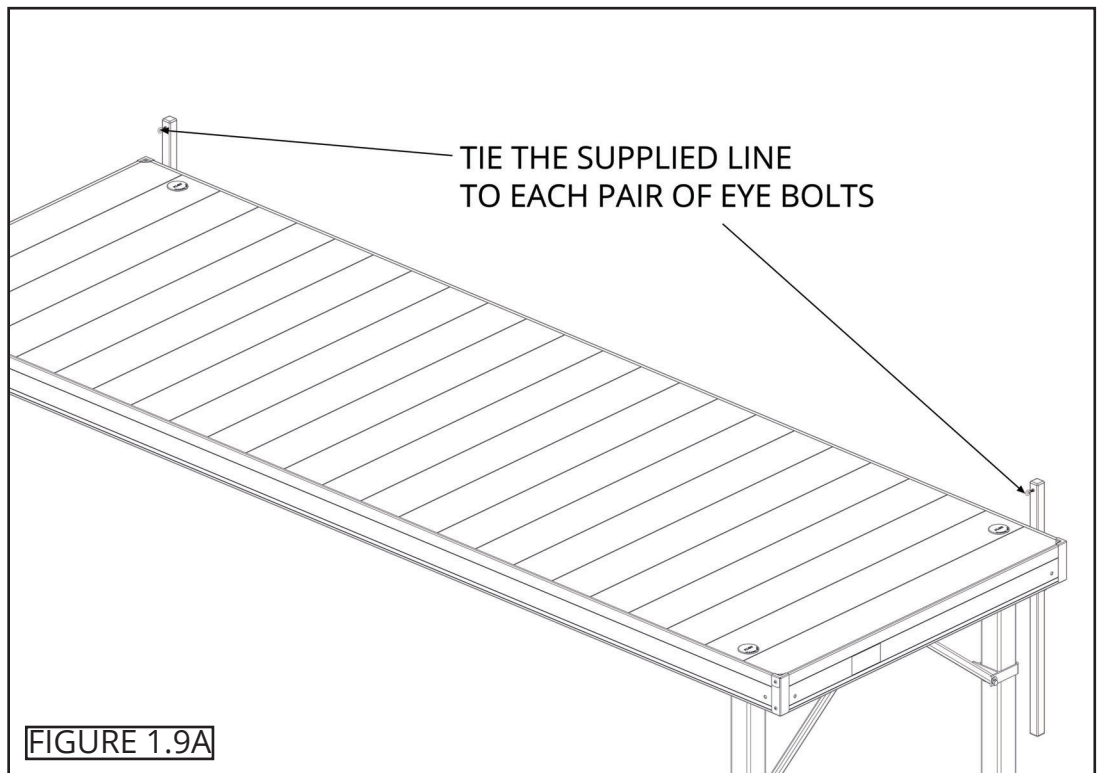
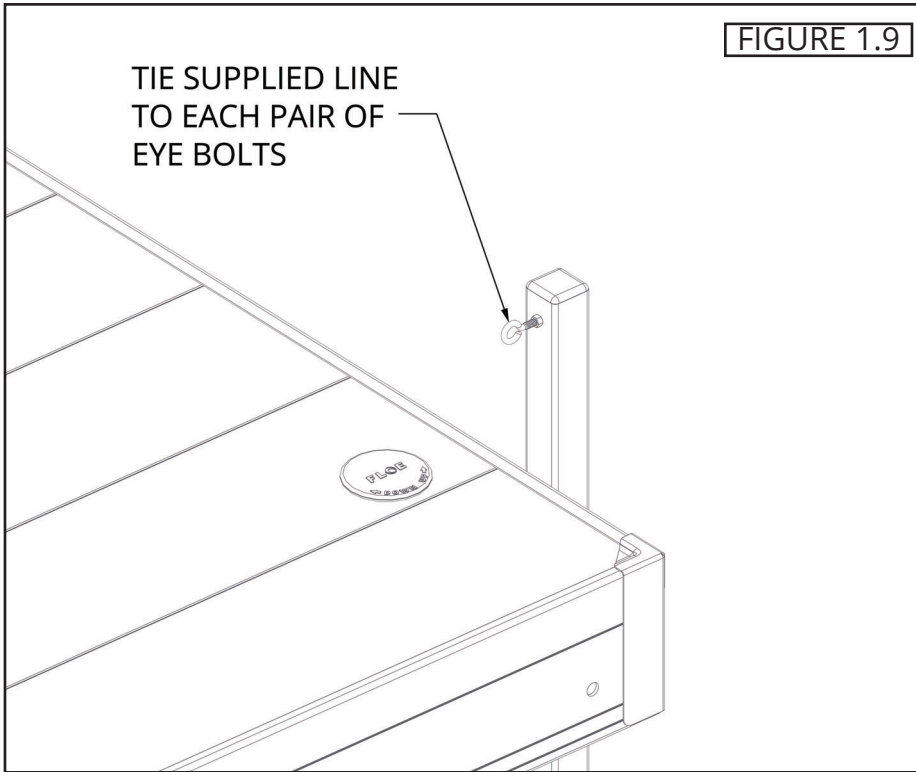
INSTALL (2) 3/8" X 2" BOLTS INTO EACH UPRIGHT MOUNTING BRACKET AND INTO THE DOCK SIDE (FIGURE 1.5). PLACE A 3/8" WASHER AND 3/8" NYLOCK ONTO EACH BOLT (FIGURE 1.6).



TORQUE ALL NUTS TO 20 FT-LB (FIGURE 1.7). SET THE UPRIGHTS TO THE DESIRED HEIGHT. NOTE THAT THE UPRIGHTS CAN BE RAISED OR LOWERED AS NECESSARY. TIGHTEN THE SET KNOB TO KEEP THE UPRIGHT FROM SLIDING. DO NOT OVERTIGHTEN (FIGURE 1.8).



TIE THE LINE SUPPLIED WITH THE BIRD DETERRENT KIT TO EACH PAIR OF UPRIGHTS AT THE EYE BOLT (FIGURE 1.9 & 1.9A).





FLOE INTERNATIONAL, INC.  
48473 STATE HIGHWAY 65 • MCGREGOR, MN 55760  
[www.floeintl.com](http://www.floeintl.com)

*All material copyright © 2026 FLOE International, Inc.  
Specifications subject to change without notice.*