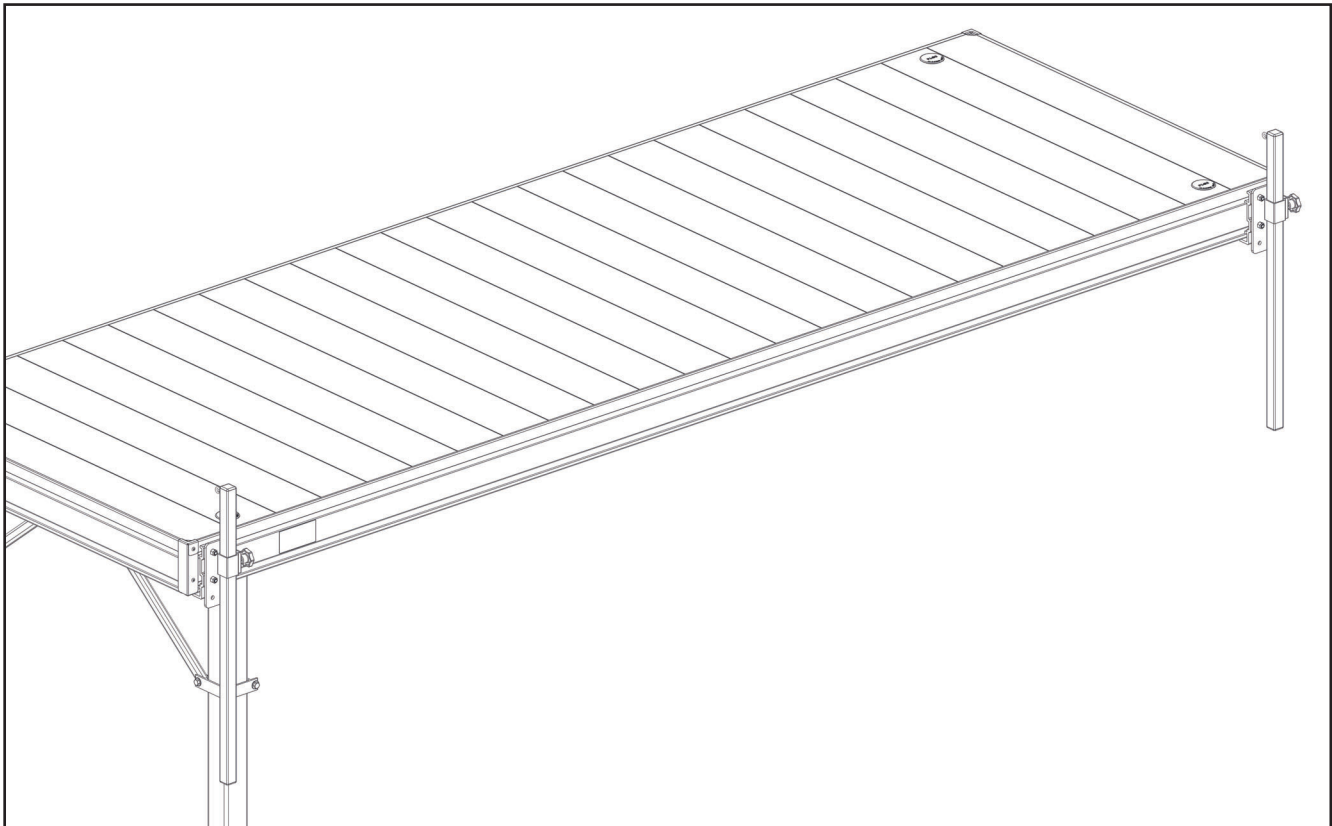




# ASSEMBLY INSTRUCTIONS

## FLOE QUICK ATTACH SECTIONAL DOCK DOCK DOCK BIRD DETERRENT ATTACHMENT KIT

P/N 510-02669-00



For more information, go to the owner support tab on the FLOE website

\*DOCK, DOCK LEGS, AND BIRD DETERRENT KIT NOT INCLUDED

### TOOLS REQUIRED

- 9/16" SOCKET/WRENCH (NOTE: (2) 9/16" SOCKETS/WRENCHES MAY BE REQUIRED, DEPENDING ON THE STYLE OF QUICK ATTACH ACCESSORY BRACKET)
  - TORQUE WRENCH
  - TAPE MEASURE
- DOCK BIRD DETERRENT INSTRUCTIONS

### IMPORTANT

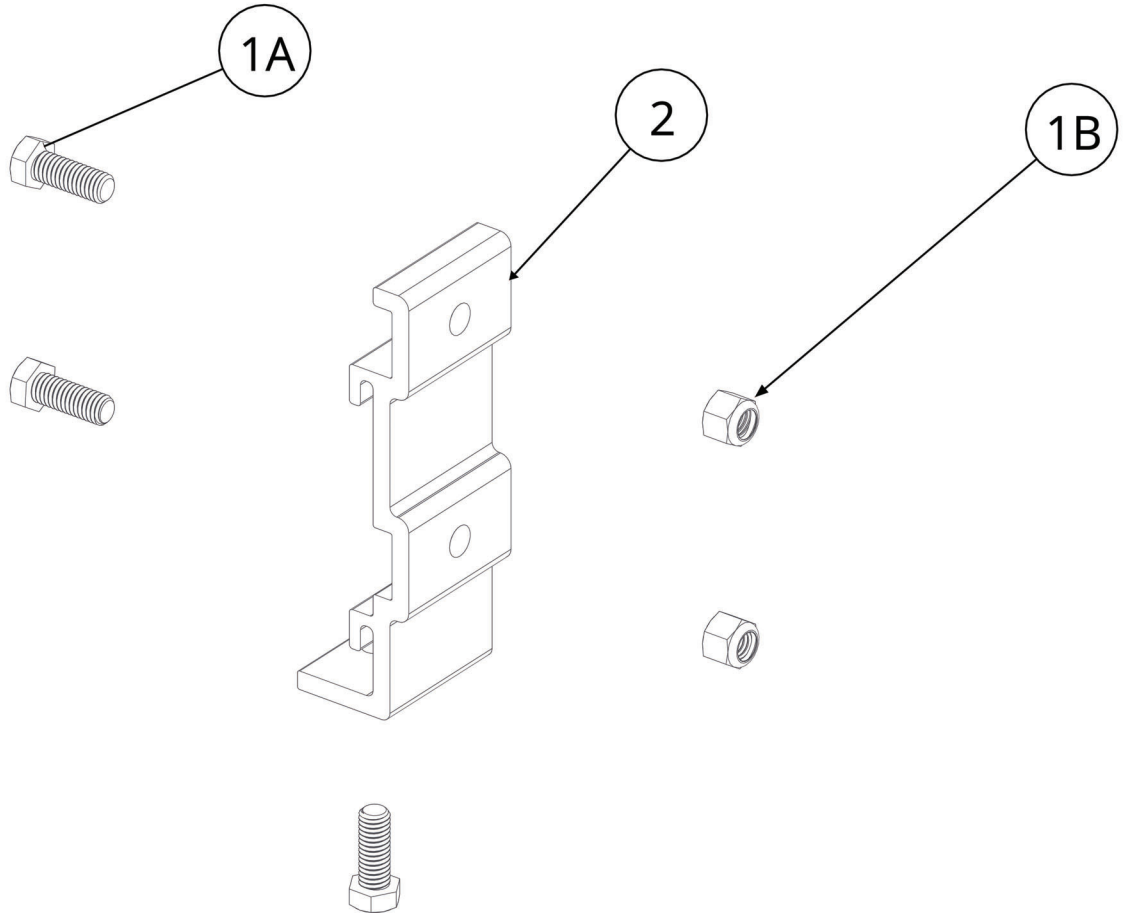
REMOVE BIRD DETERRENT UPRIGHTS FROM DOCK SECTIONS  
DURING INSTALLATION/REMOVAL OF DOCKS.

### WARNING

THE LINE STRUNG BETWEEN THE UPRIGHTS CAN BE A TRIPPING HAZARD

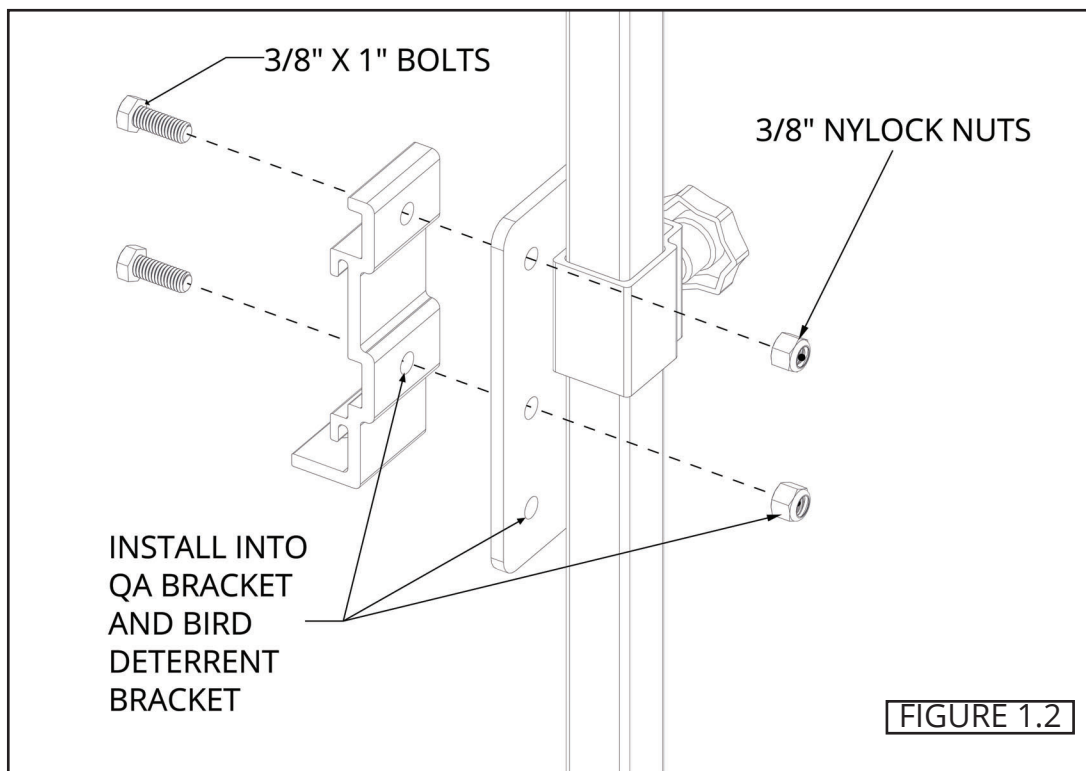
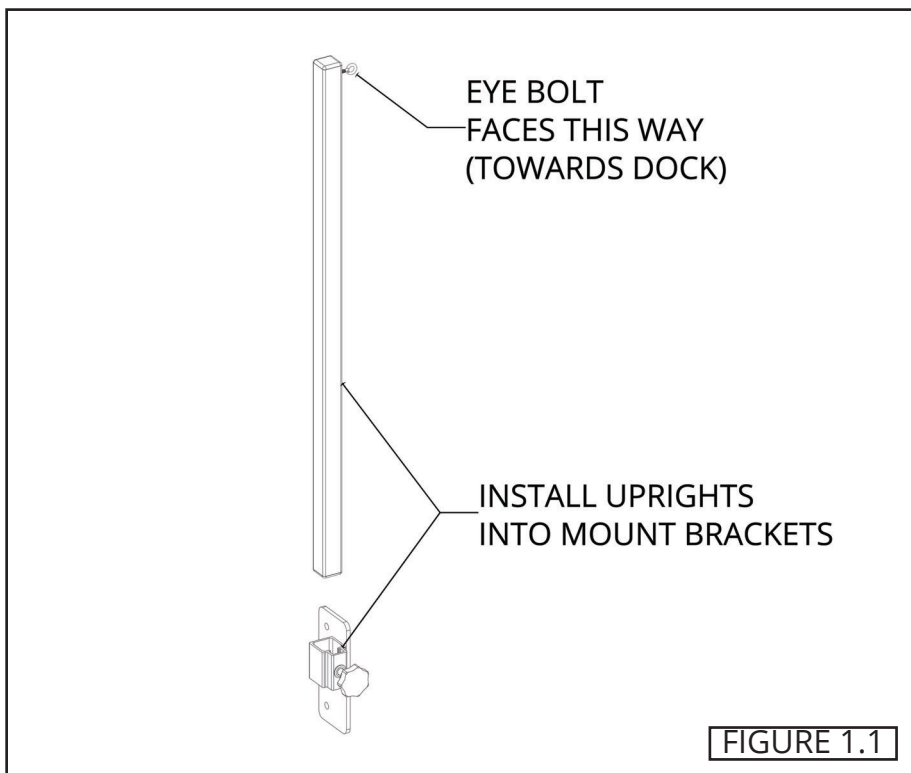
# BILL OF MATERIALS/EXPLODED VIEW

NUMBER	PART NUMBER	QTY	DESCRIPTION
	<b>510-02669-00</b>	<b>1</b>	<b>KIT, QA SCTN'L. BIRD DETERRENT ATT.</b>
1	001-02573-01	1	FASTENERS, QUICK ATT.
1A	001-70105-00	6	HHCS, 3/8-16 X 1" 18-8 SS
1B	001-76071-00	4	NUT, NYLOCK 3/8-16 ALUM.
2	002-00150-01	2	BRACKET, QA SCTN'L - 2"

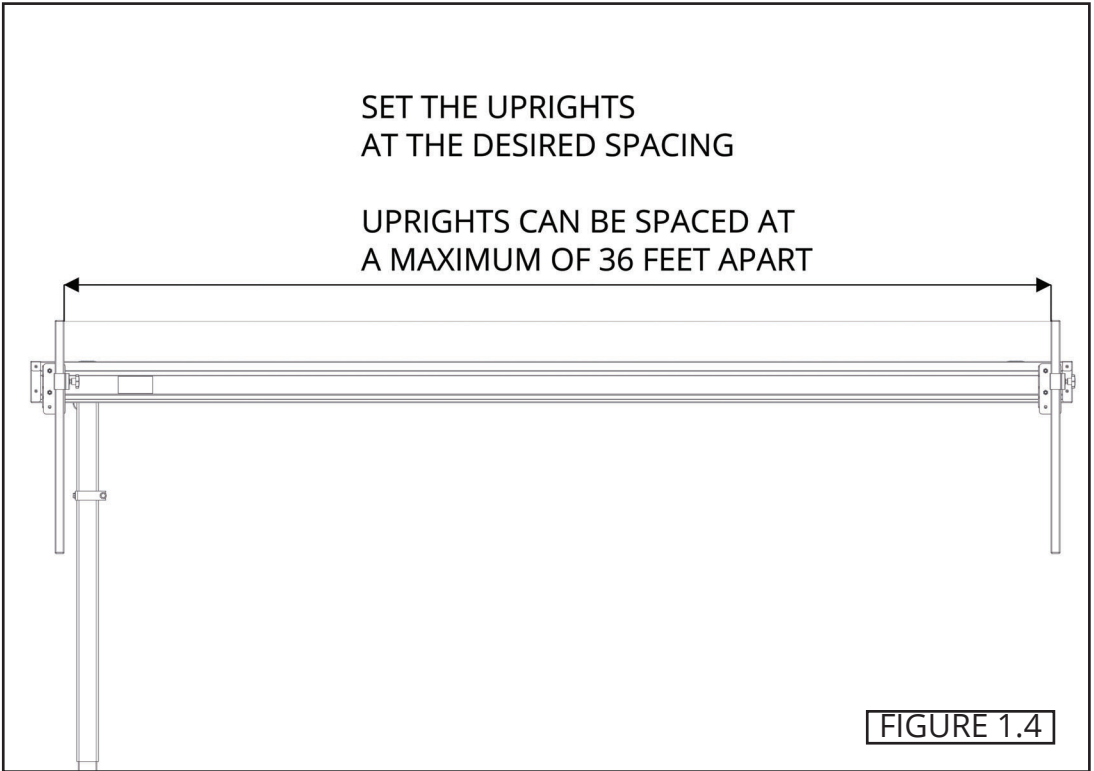
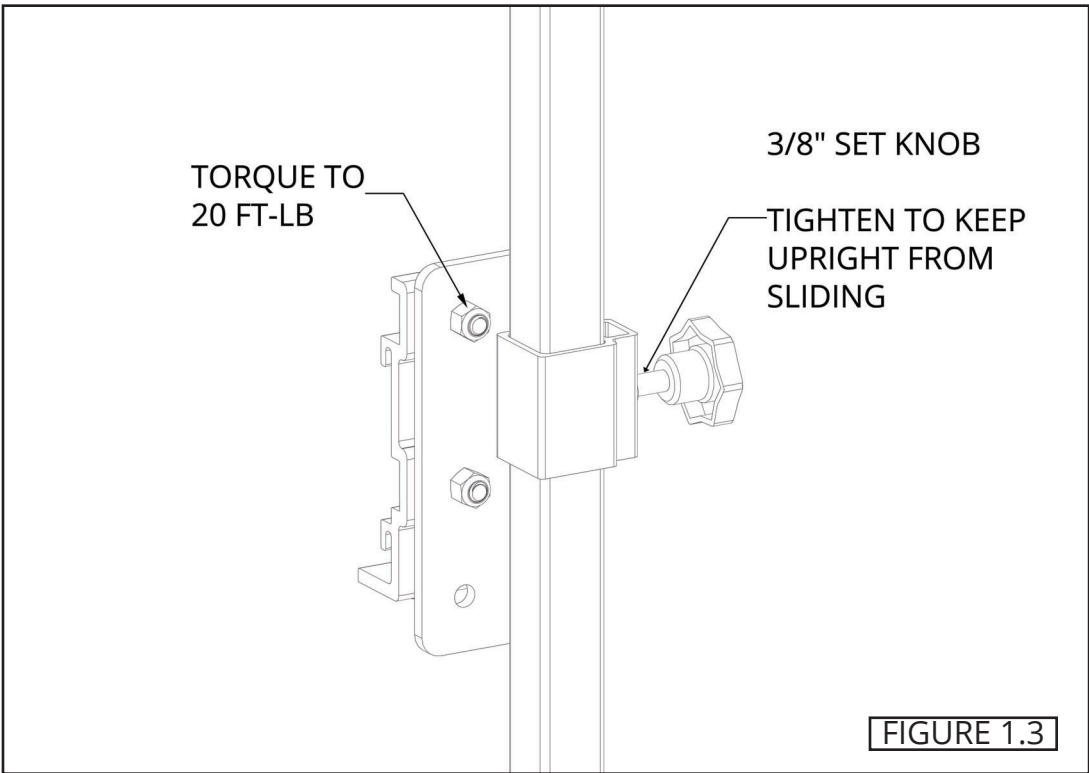


# INSTALLATION

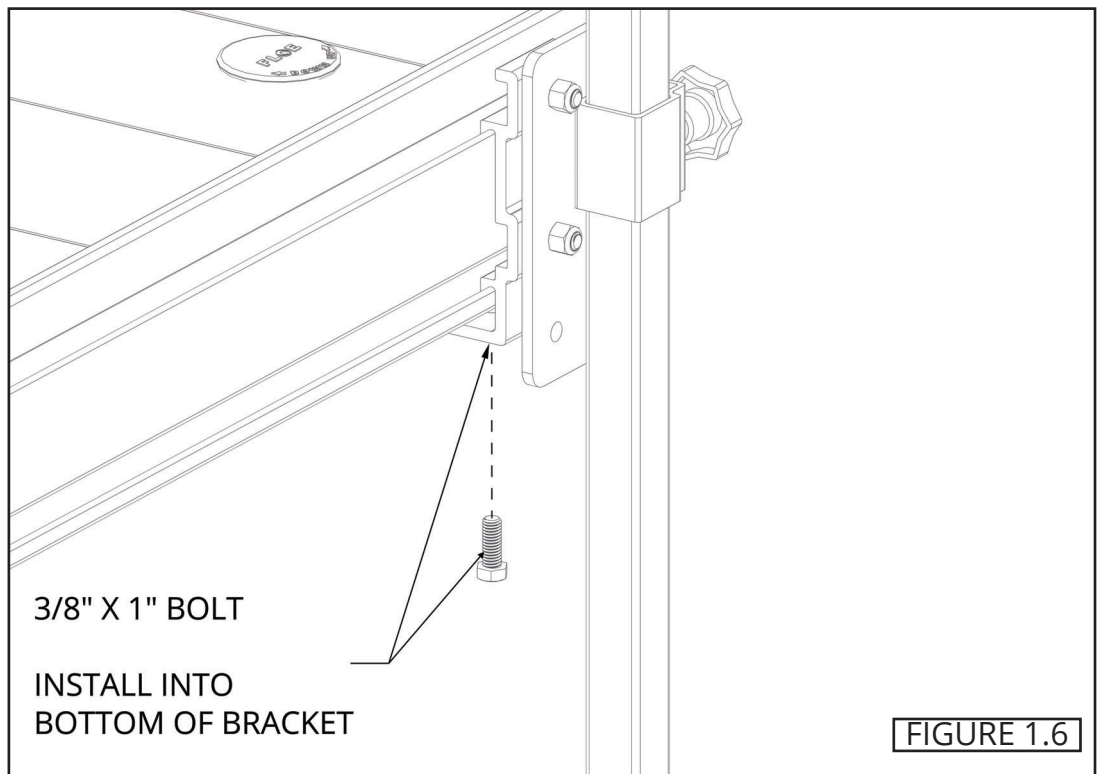
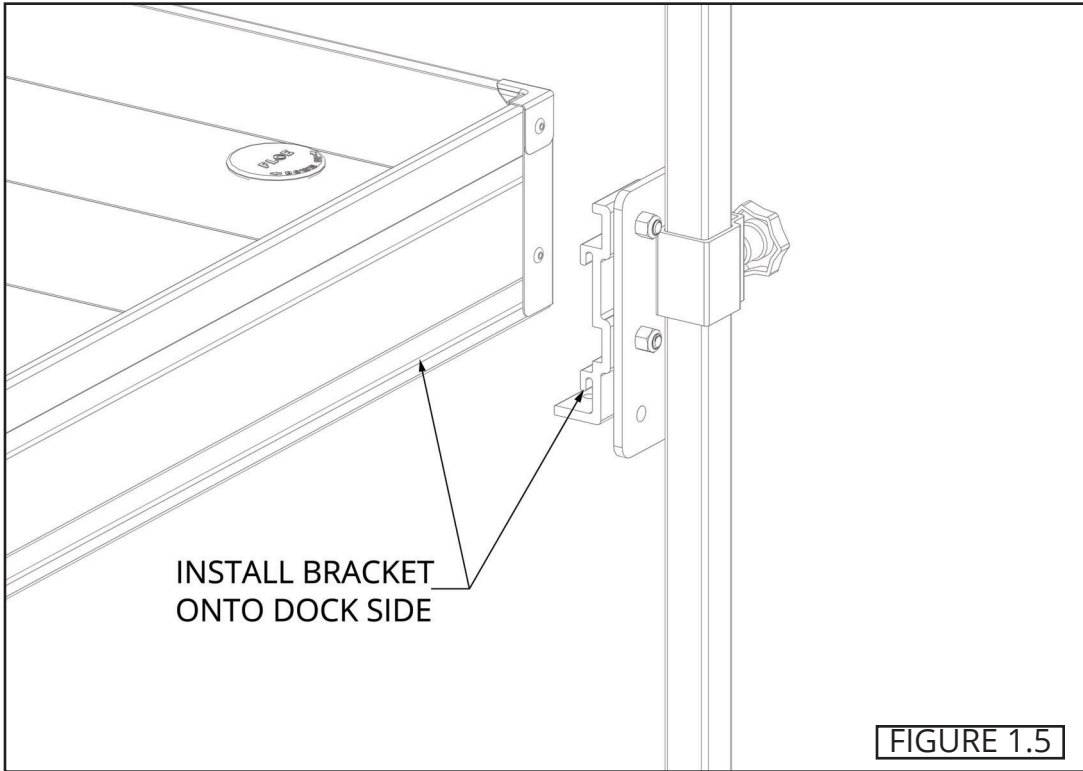
INSTALL THE UPRIGHTS INTO THE MOUNTING BRACKETS WITH THE UPRIGHT ORIENTED AS SHOWN. THE EYE BOLT SIDE OF THE UPRIGHT WILL FACE TOWARDS THE DOCK (FIGURE 1.1). ATTACH THE QUICK ATTACH BRACKETS ONTO THE BIRD DETERRENT BRACKETS WITH (2) 3/8" X 1" BOLTS AND (2) 3/8" NYLOCK NUTS PER BRACKET (FIGURE 1.2).



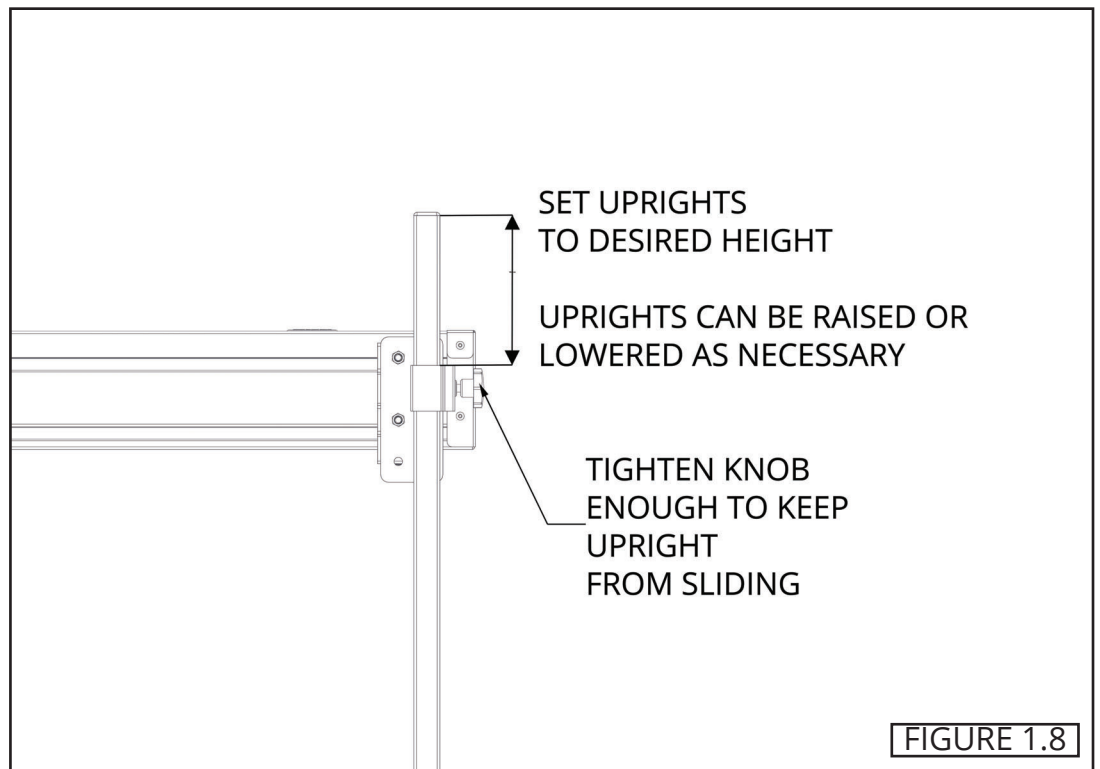
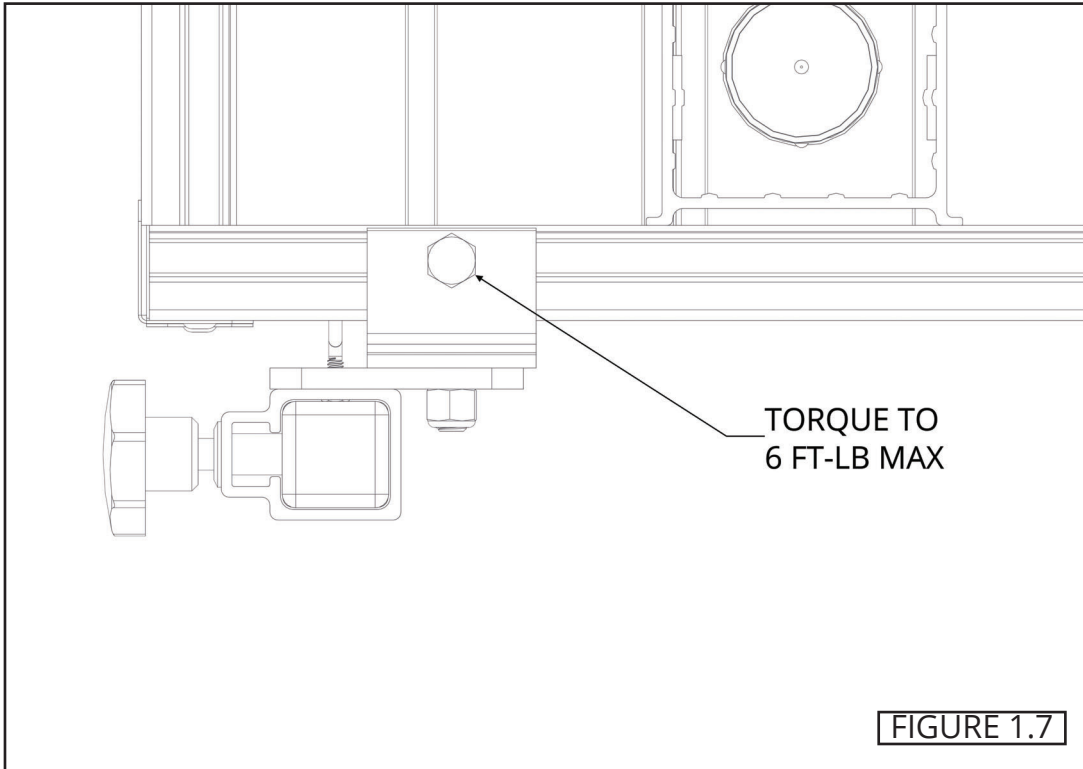
TORQUE ALL NUTS TO 20 FT-LB. TIGHTEN THE 3/8" KNOB IN THE UPRIGHT BRACKET ENOUGH TO KEEP THE UPRIGHT FROM SLIDING IN THE POCKET (FIGURE 1.3). DETERMINE THE DESIRED SPACING OF THE UPRIGHTS ALONG THE LENGTH OF THE DOCK. THE UPRIGHTS CAN BE SPACED UP TO 36 FEET APART, SPANNING MULTIPLE DOCK SECTIONS (FIGURE 1.4).



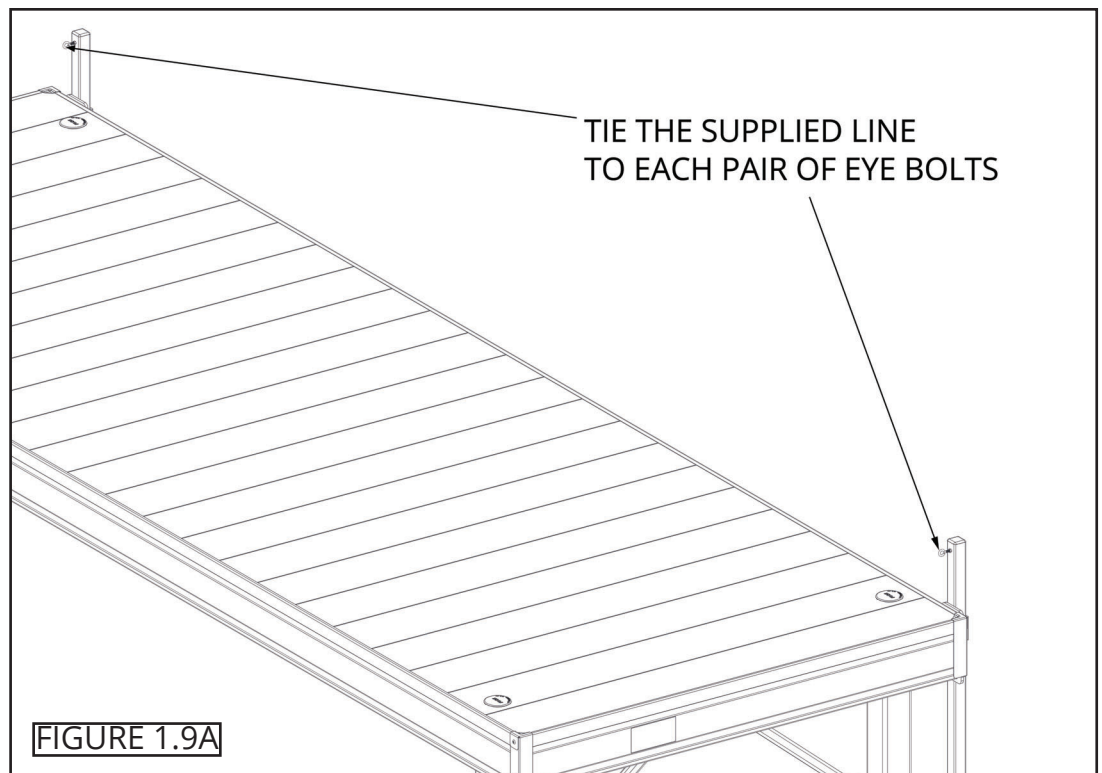
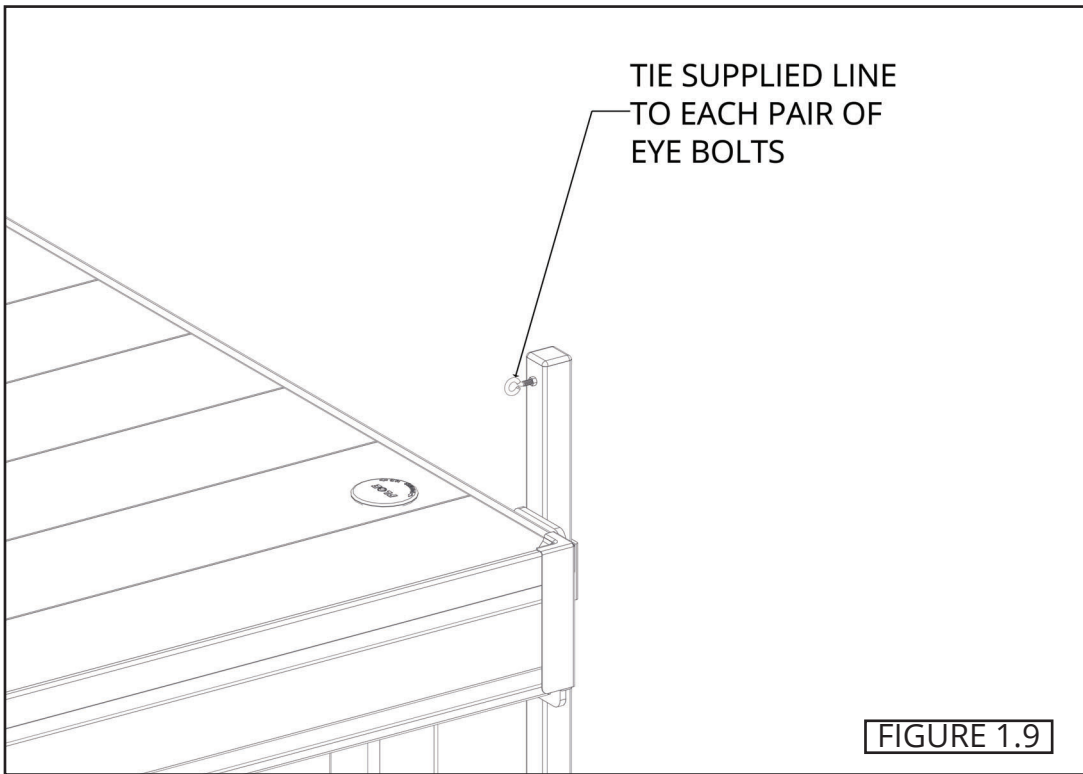
PLACE THE QUICK ATTACH BRACKETS ONTO THE DOCK SIDE AT THAT WIDTH (FIGURE 1.5).  
INSTALL (2) 3/8" X 1" BOLTS INTO THE BOTTOM OF EACH BRACKET (FIGURE 1.6).



TORQUE TO 6 FT-LB MAXIMUM (FIGURE 1.7). SET THE UPRIGHTS TO THE DESIRED HEIGHT. NOTE THAT THE UPRIGHTS CAN BE RAISED OR LOWERED AS NECESSARY. TIGHTEN THE SET KNOB TO KEEP THE UPRIGHT FROM SLIDING. DO NOT OVERTIGHTEN (FIGURE 1.8).



TIE THE LINE SUPPLIED WITH THE BIRD DETERRENT KIT TO EACH PAIR OF UPRIGHTS AT THE EYE BOLT (FIGURE 1.9 & 1.9A).





FLOE INTERNATIONAL, INC.  
48473 STATE HIGHWAY 65 • MCGREGOR, MN 55760  
[www.floeintl.com](http://www.floeintl.com)

*All material copyright © 2026 FLOE International, Inc.  
Specifications subject to change without notice.*