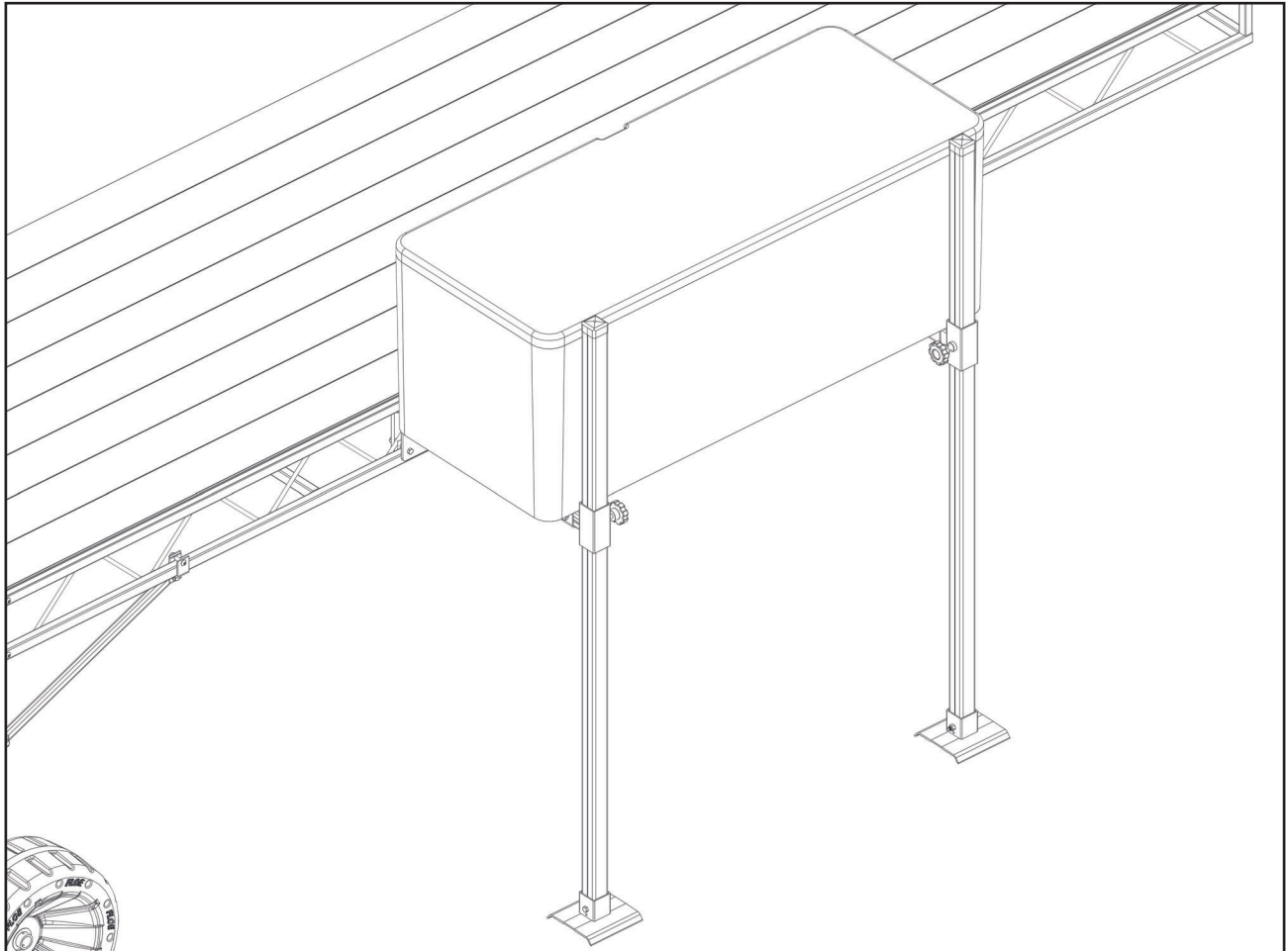




# ASSEMBLY INSTRUCTIONS

## FLOE STANDARD ROLL-IN DOCK DOCK BOX SUPPORT FRAME ATTACHMENT KIT

P/N 510-02668-00



For more information, go to the owner support tab on the FLOE website

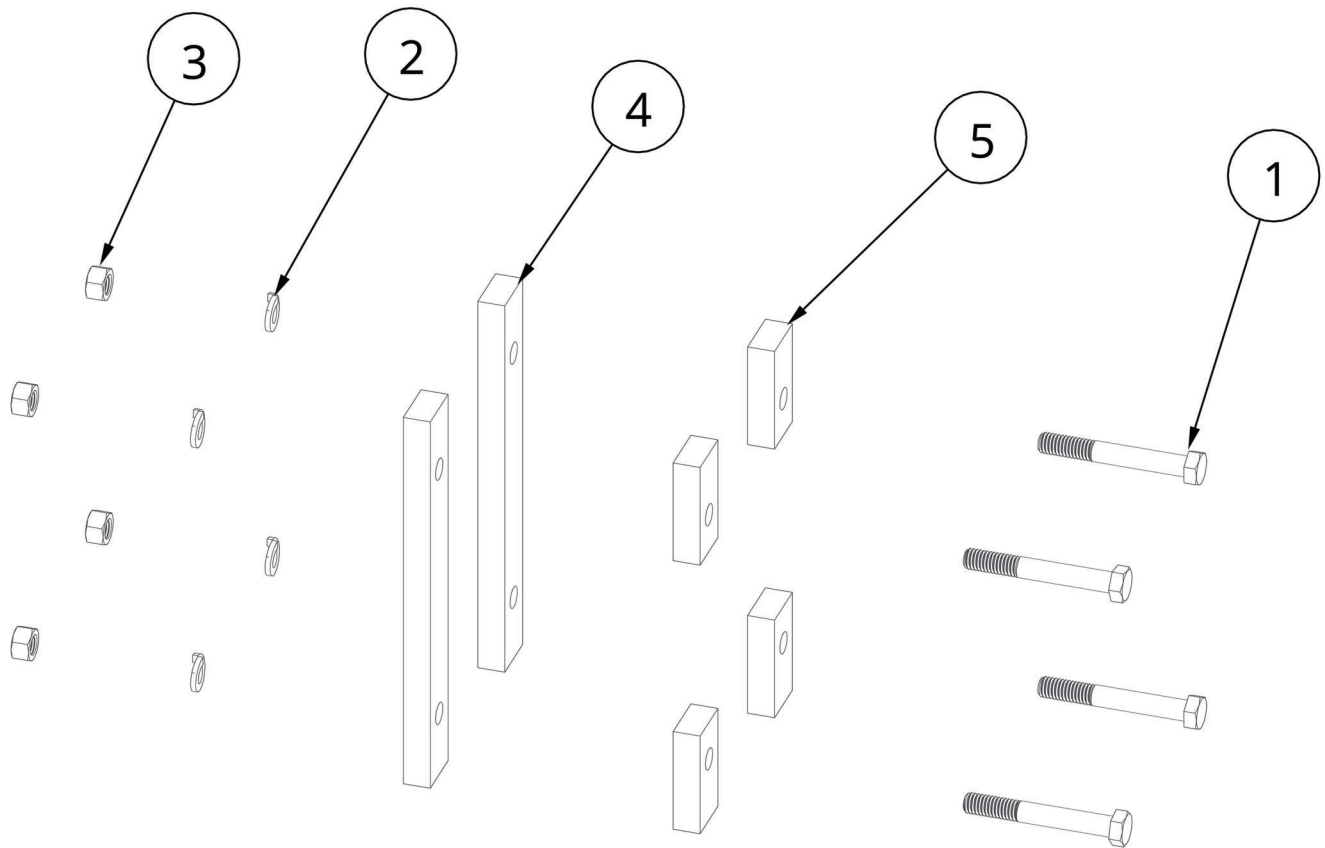
\*DOCK, WHEEL KITS, DOCK BOX SUPPORT FRAME, AND DOCK BOX NOT INCLUDED

### TOOLS REQUIRED

- (2) 9/16" SOCKETS/WRENCHES
- TORQUE WRENCH
- DOCK BOX SUPPORT FRAME INSTRUCTIONS

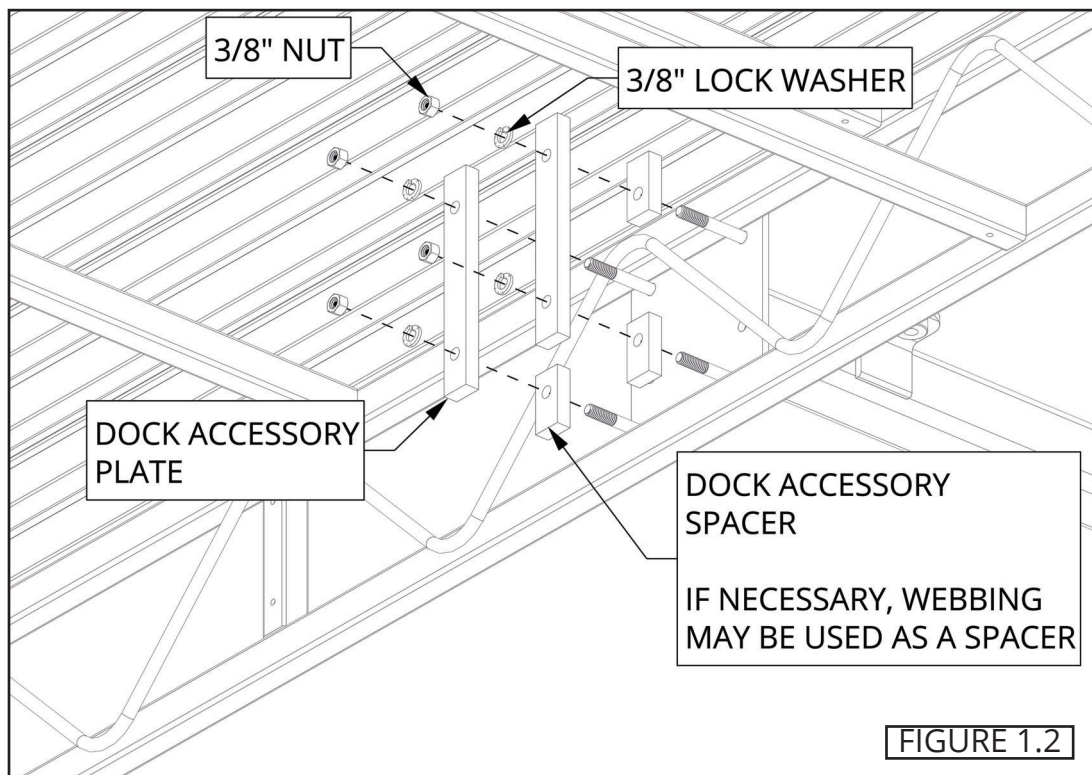
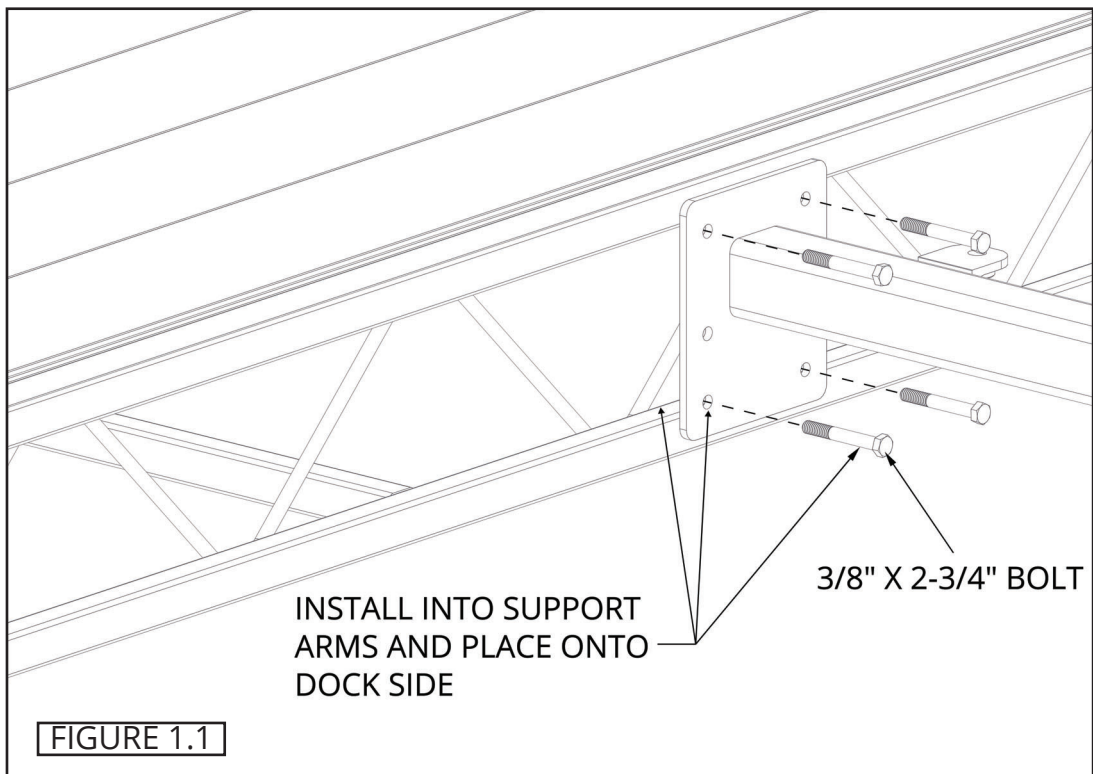
# BILL OF MATERIALS/EXPLODED VIEW

NUMBER	PART NUMBER	QTY	DESCRIPTION
	<b>510-02668-00</b>	<b>1</b>	<b>KIT, STD. ROLL-IN DOCK BOX ATT.</b>
1	001-70114-00	8	HHCS, 3/8-16 X 2-3/4" 18-8 SS
2	001-71067-00	8	LOCK WASHER, 3/8" S/W SS 18-8
3	001-76349-00	8	NUT, 3/8-16 ALUM
4	002-02203-00	4	PLATE, DOCK ACCESSORY
5	002-02204-00	8	SPACER, DOCK ACCESSORY

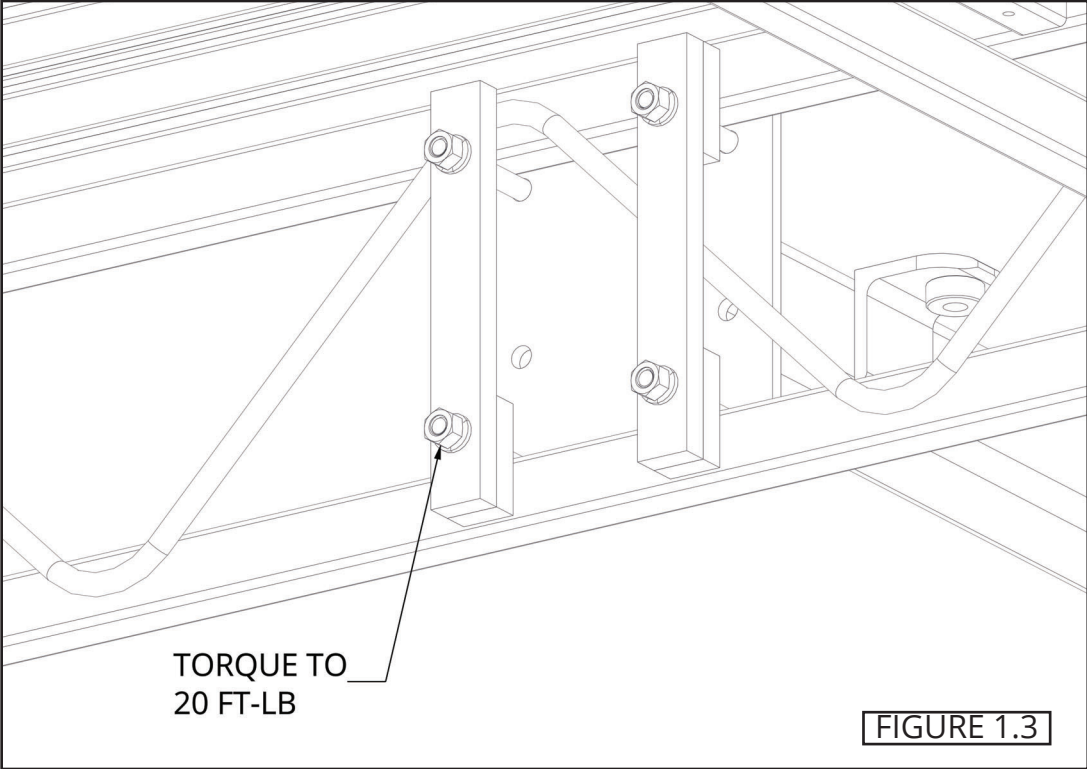


# INSTALLATION

REFER TO THE DOCK BOX SUPPORT FRAME INSTRUCTIONS TO ASSEMBLE THE FRAME. DETERMINE THE DESIRED LOCATION OF THE DOCK BOX. INSTALL (4) 3/8" X 2-3/4" BOLTS INTO THE SUPPORT ARMS AND PLACE ONTO THE DOCK SIDE (FIGURE 1.1). INSTALL THE SPACERS AND PLATES ONTO THE BOLTS ON THE INSIDE OF THE DOCK FRAME (IF NECESSARY, WEBBING MAY BE USED AS A SPACER). INSTALL A 3/8" LOCK WASHER AND 3/8" NUT ONTO EACH BOLT (FIGURE 1.2).



TORQUE ALL NUTS TO 20 FT-LB (FIGURE 1.3) REFER TO THE DOCK BOX SUPPORT FRAME INSTRUCTIONS TO COMPLETE INSTALLATION.



# **NOTES**

# **NOTES**

# **NOTES**



FLOE INTERNATIONAL, INC.  
48473 STATE HIGHWAY 65 • MCGREGOR, MN 55760  
[www.floeintl.com](http://www.floeintl.com)

*All material copyright © 2026 FLOE International, Inc.  
Specifications subject to change without notice.*