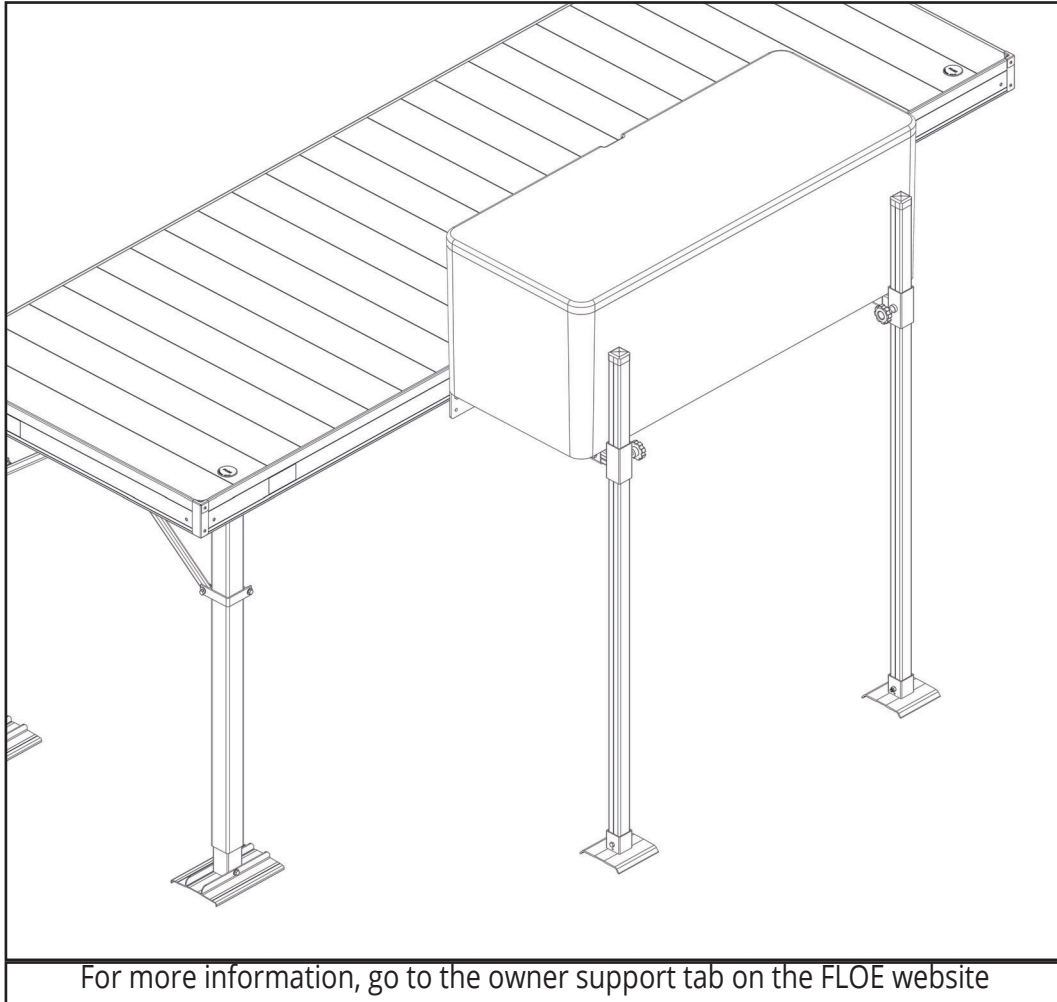




# ASSEMBLY INSTRUCTIONS

## FLOE STANDARD SECTIONAL DOCK DOCK BOX SUPPORT FRAME ATTACHMENT KIT

P/N 510-02667-00



For more information, go to the owner support tab on the FLOE website

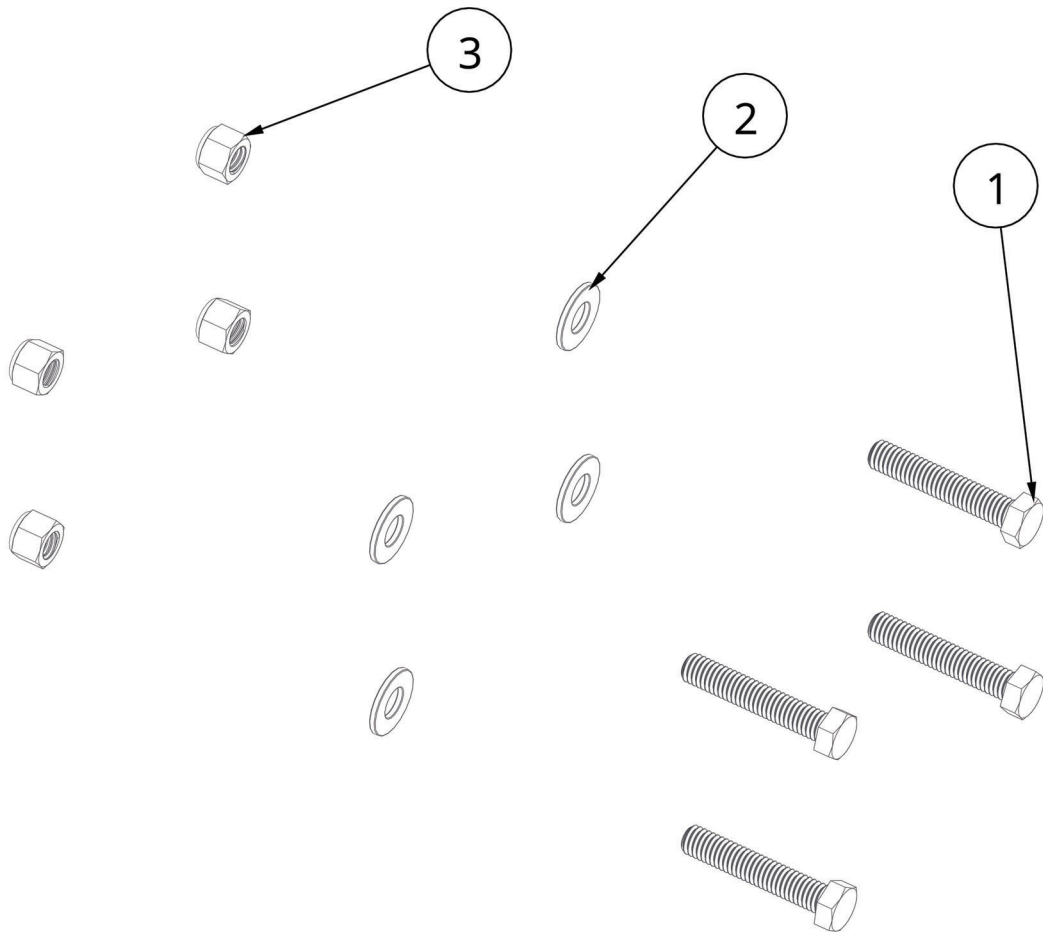
\*DOCK, LEGS, DOCK BOX SUPPORT FRAME AND DOCK BOX NOT INCLUDED

### TOOLS REQUIRED

- (2) 9/16" SOCKETS/WRENCHES
  - 3/4" WRENCH/SOCKET
  - TORQUE WRENCH
  - CORDLESS DRILL
  - 13/32" DRILL BIT
- CLAMP (MIN. 4" OPENING)
  - TAPE MEASURE
  - 6" SPEED SQUARE
- DOCK BOX SUPPORT FRAME INSTRUCTIONS

# BILL OF MATERIALS/EXPLODED VIEW

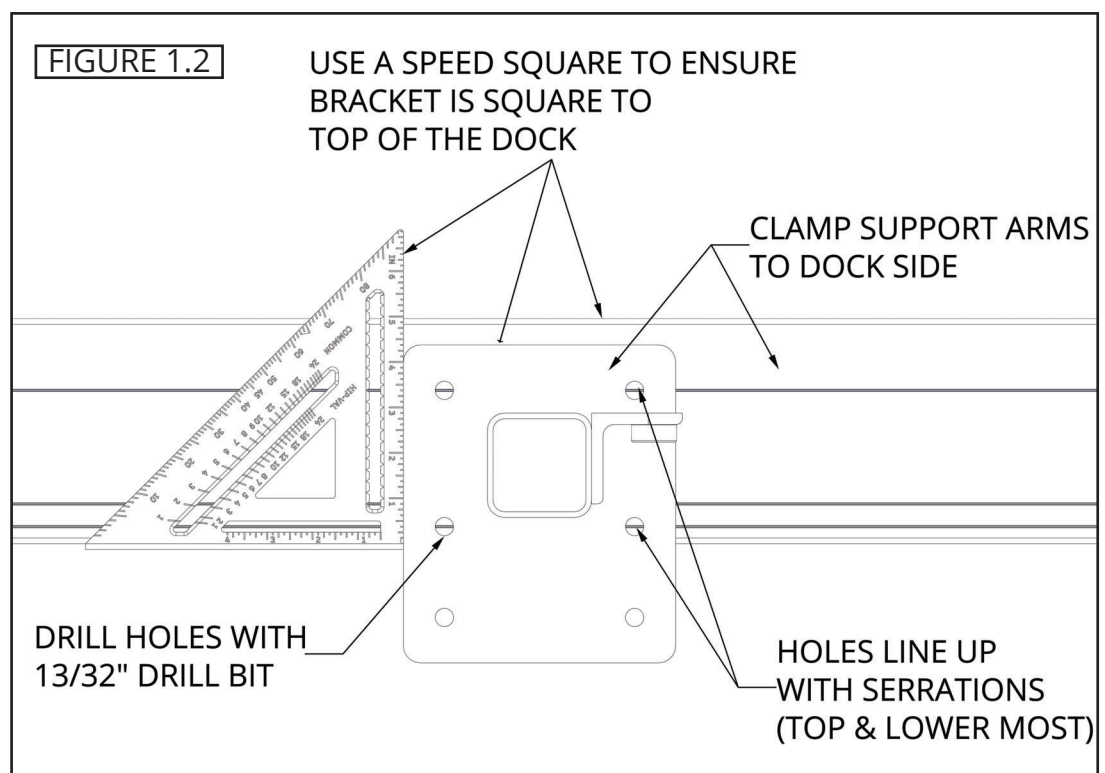
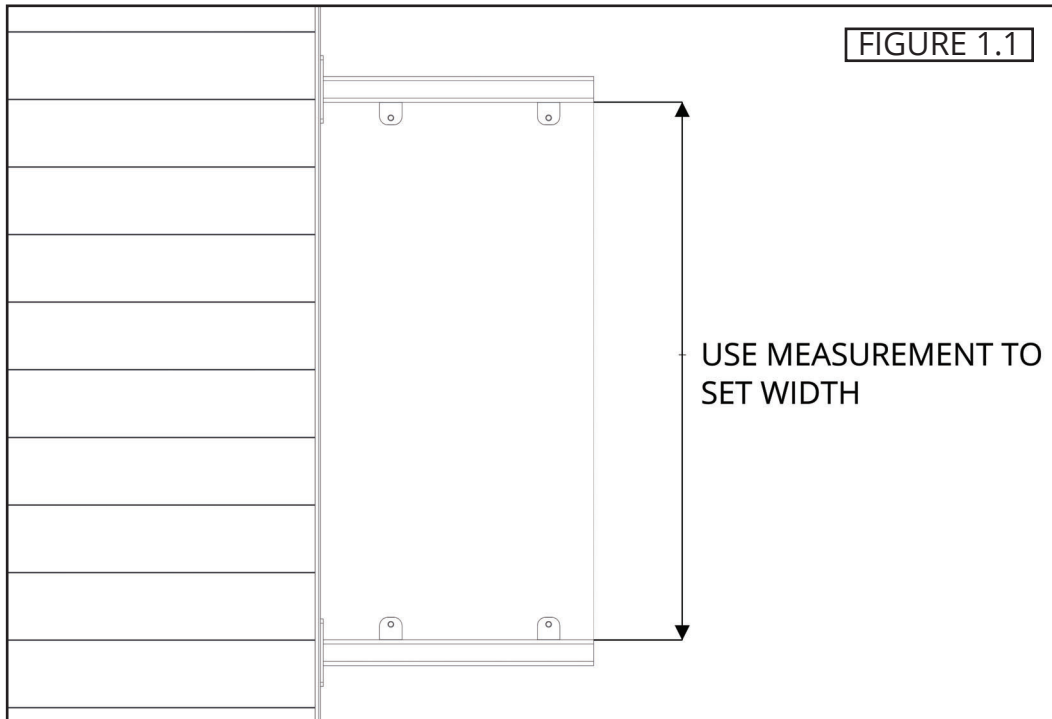
NUMBER	PART NUMBER	QTY	DESCRIPTION
	<b>510-02667-00</b>	<b>1</b>	<b>KIT, STD. SCTN'L. DOCK BOX ATT.</b>
1	001-70111-00	8	HHCS, 3/8-16 X 2" 18-8 SS
2	001-71017-00	8	FLAT WASHER, 3/8" SAE SS 18-8
3	001-76071-00	8	NUT, NYLOCK 3/8-16 ALUM.



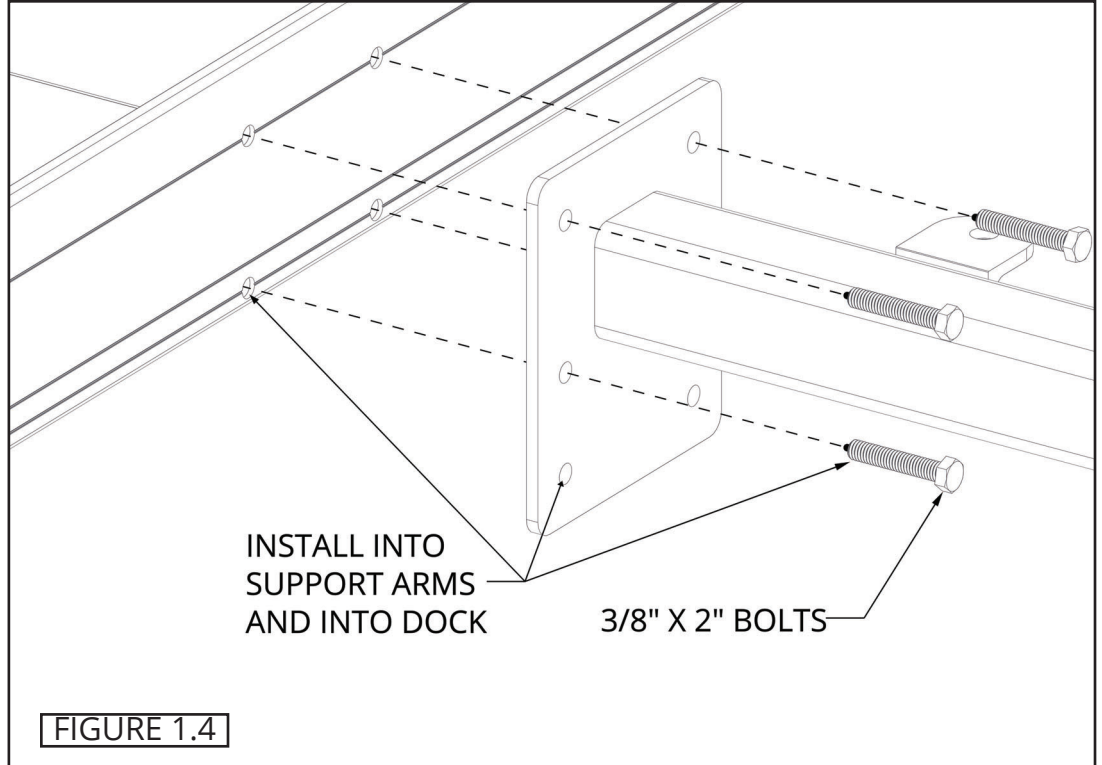
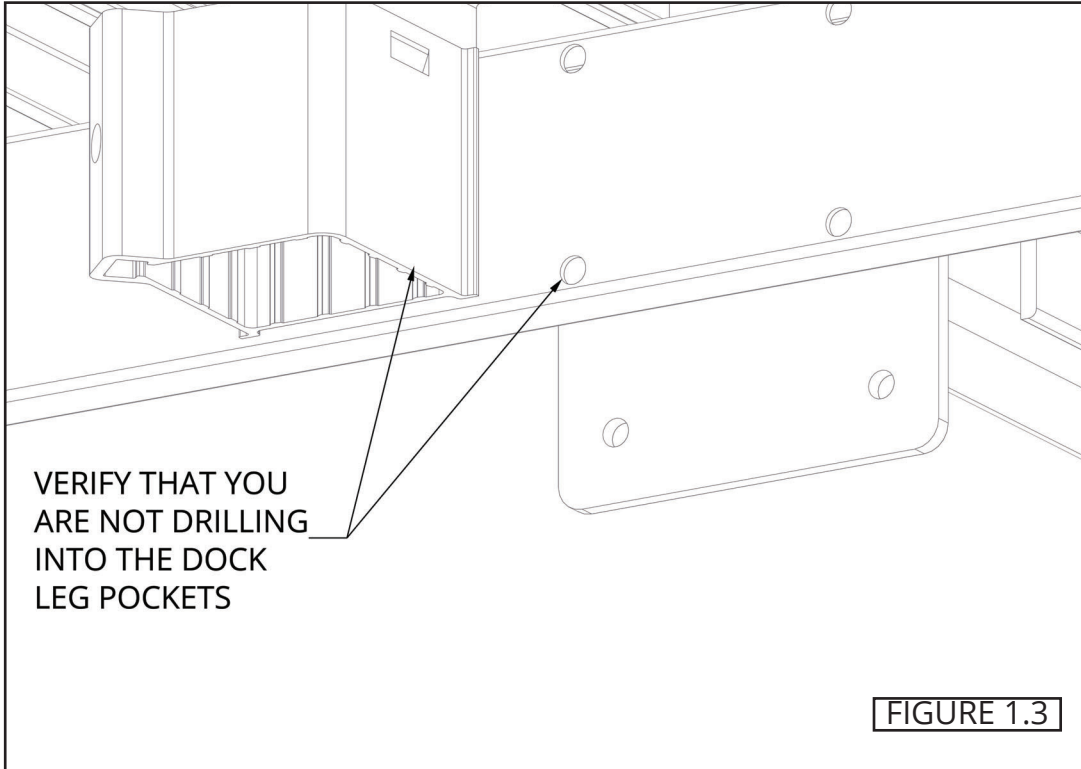
# INSTALLATION

REFER TO THE DOCK BOX SUPPORT FRAME INSTRUCTIONS TO ASSEMBLE THE FRAME. DETERMINE THE DESIRED LOCATION OF THE DOCK BOX. SET THE WIDTH AND DEPTH OF THE SUPPORT ARMS DETERMINED BY THE WIDTH AND DEPTH OF THE DOCK BOX (REFER TO DOCK BOX SUPPORT FRAME INSTRUCTIONS). REFER TO THE FIGURES BELOW ON HOW TO POSITION THE BRACKETS ON THE DOCK AND DRILL THE MOUNTING HOLES (FIGURE 1.1 & 1.2).

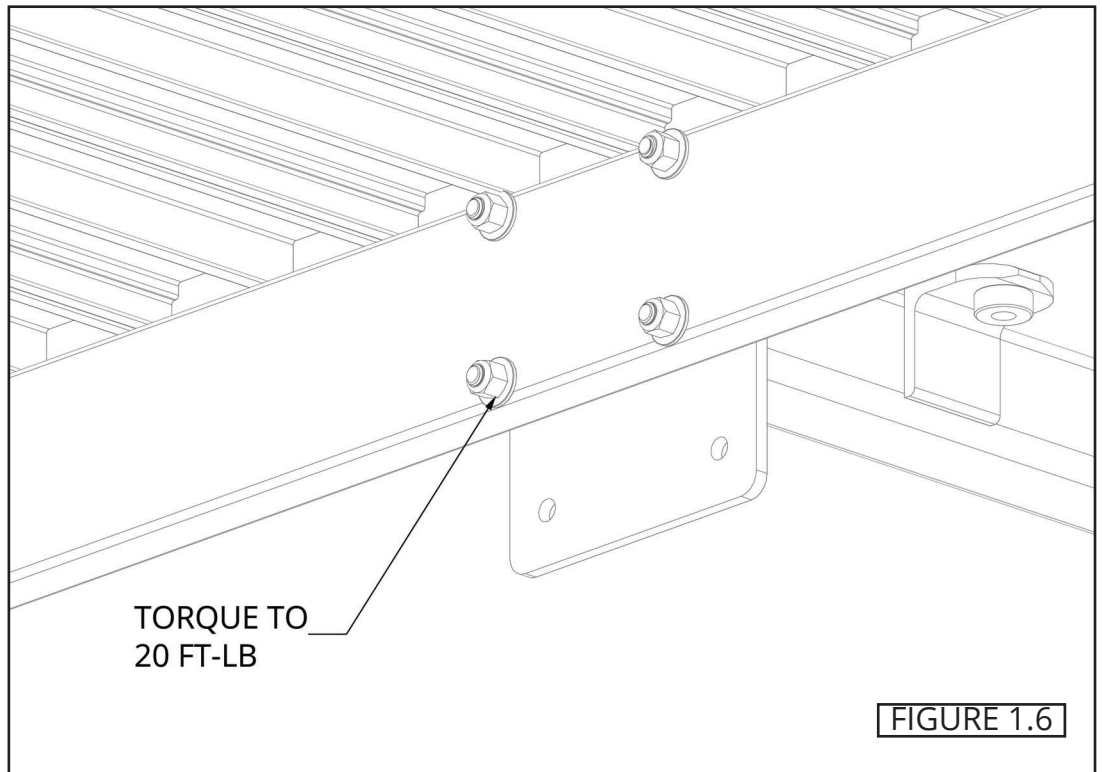
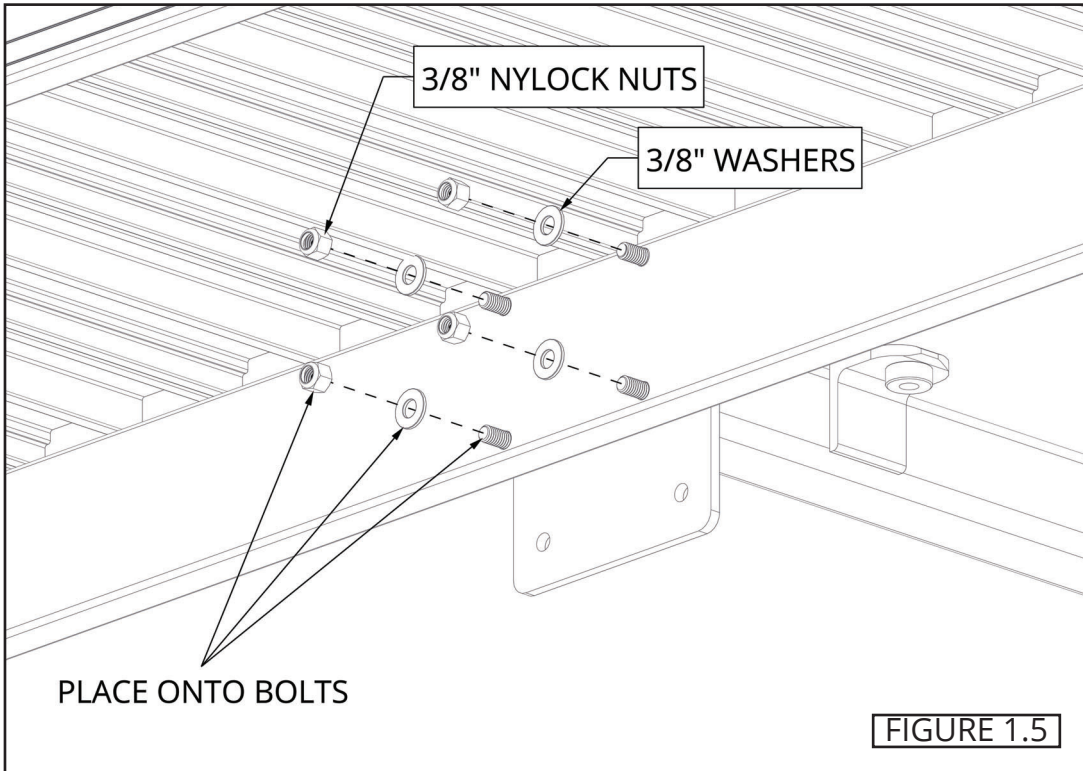
**IMPORANT: ENSURE THAT YOU ARE NOT DRILLING INTO THE POCKETS WELDED TO THE INSIDE OF THE DOCK (FIGURE 1.3).**



**IMPORANT: ENSURE THAT YOU ARE NOT DRILLING INTO THE POCKETS WELDED TO THE INSIDE OF THE DOCK (FIGURE 1.3). INSTALL (4) 3/8" X 2" BOLTS INTO THE SUPPORT ARMS AND INTO THE DOCK SIDE (FIGURE 1.4).**



PLACE A 3/8" WASHER AND 3/8" NYLOCK ONTO EACH BOLT (FIGURE 1.5). TORQUE ALL NUTS TO 20 FT-LB (FIGURE 1.6). REFER TO THE DOCK BOX SUPPORT FRAME INSTRUCTIONS TO COMPLETE INSTALLATION.



# **NOTES**

# **NOTES**



FLOE INTERNATIONAL, INC.  
48473 STATE HIGHWAY 65 • MCGREGOR, MN 55760  
[www.floeintl.com](http://www.floeintl.com)

*All material copyright © 2026 FLOE International, Inc.  
Specifications subject to change without notice.*