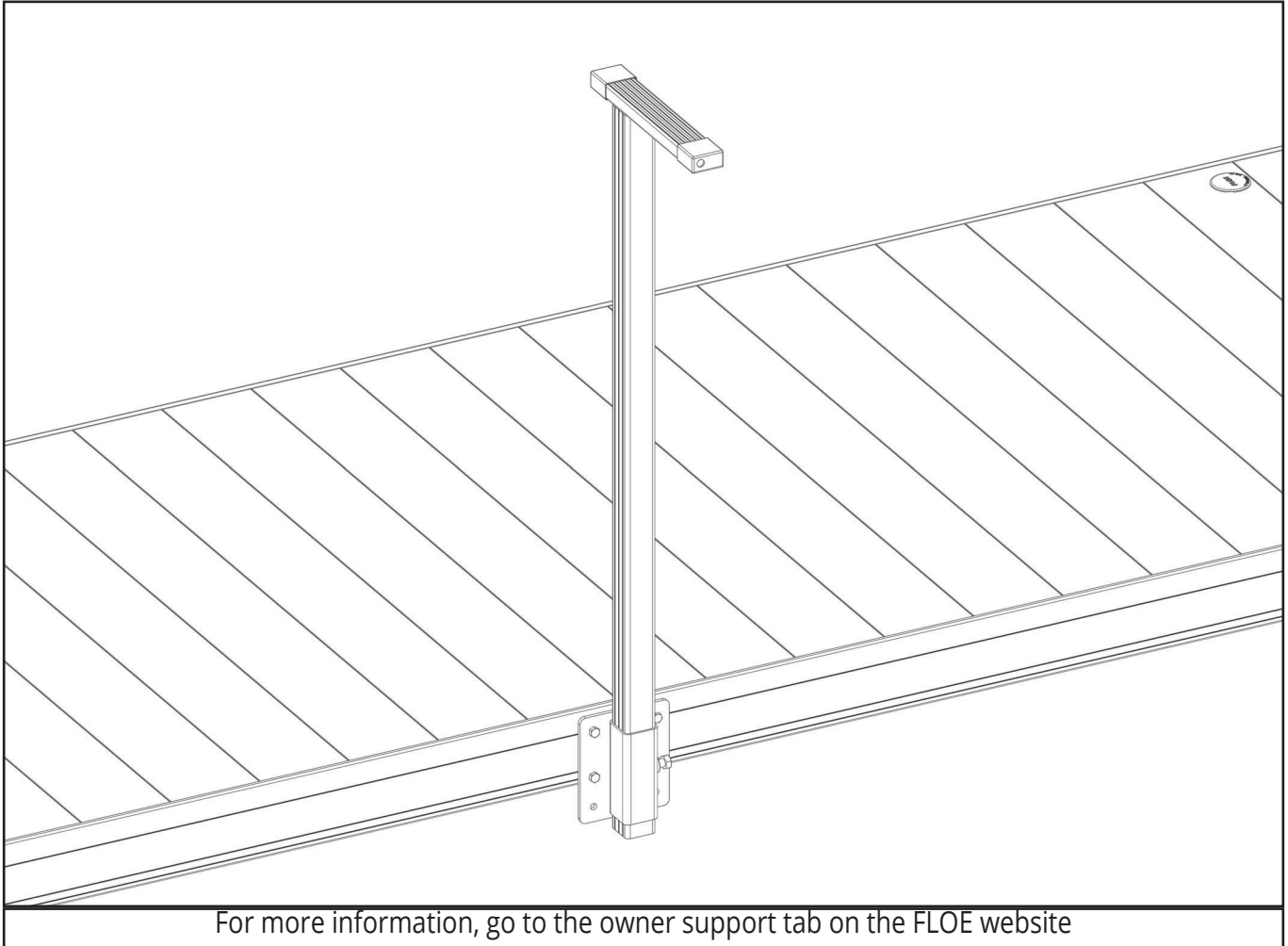




ASSEMBLY INSTRUCTIONS

FLOE STANDARD SECTIONAL DOCK DOCK HANDLE ATTACHMENT KIT

P/N 510-02662-00



For more information, go to the owner support tab on the FLOE website

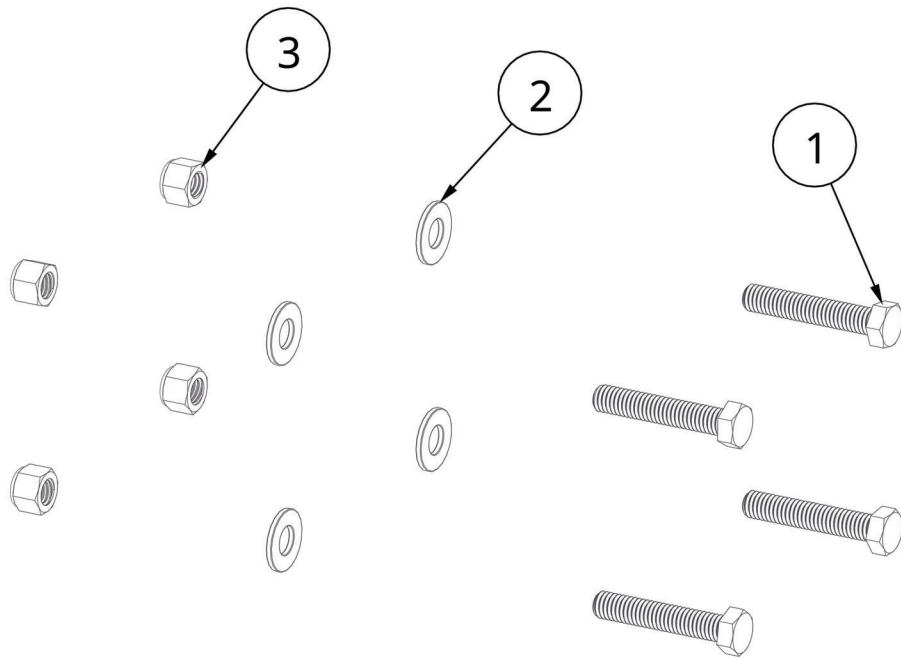
*DOCK & DOCK HANDLE NOT INCLUDED

TOOLS REQUIRED

- (2) 9/16" SOCKETS/WRENCHES
 - 3/4" WRENCH/SOCKET
 - TORQUE WRENCH
 - CORDLESS DRILL
 - 13/32" DRILL BIT
- CLAMP (MIN. 4" OPENING)
 - 6" SPEED SQUARE
- DOCK HANDLE INSTRUCTIONS

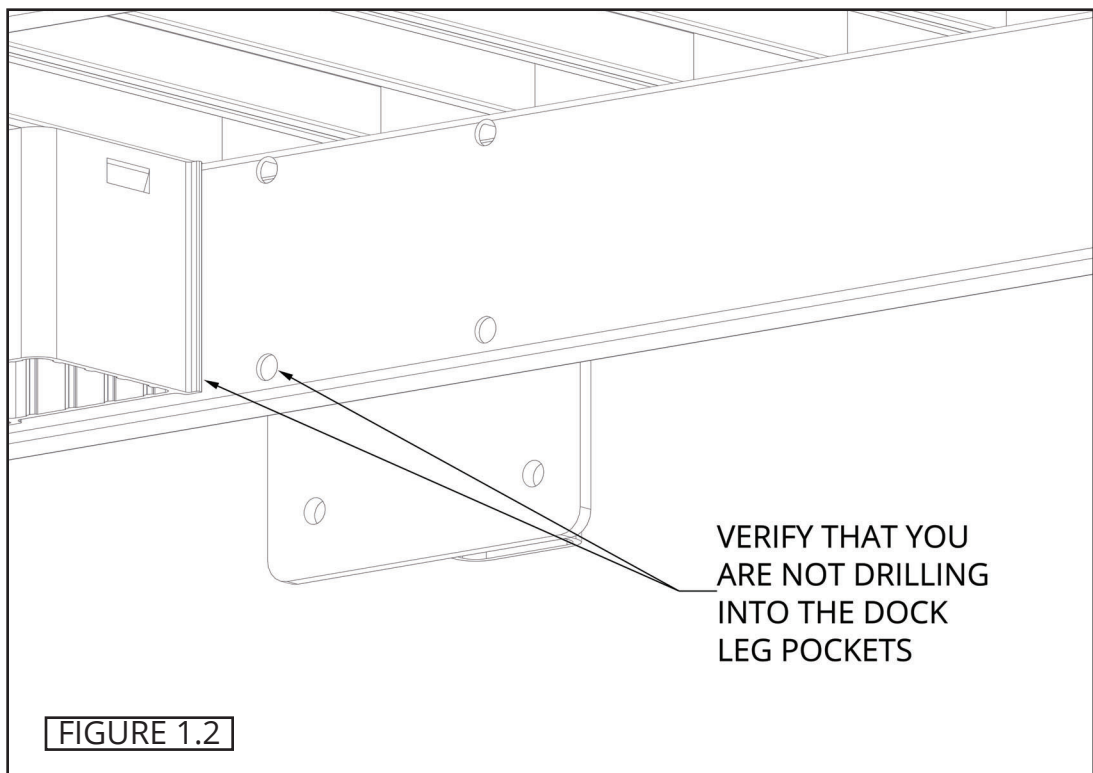
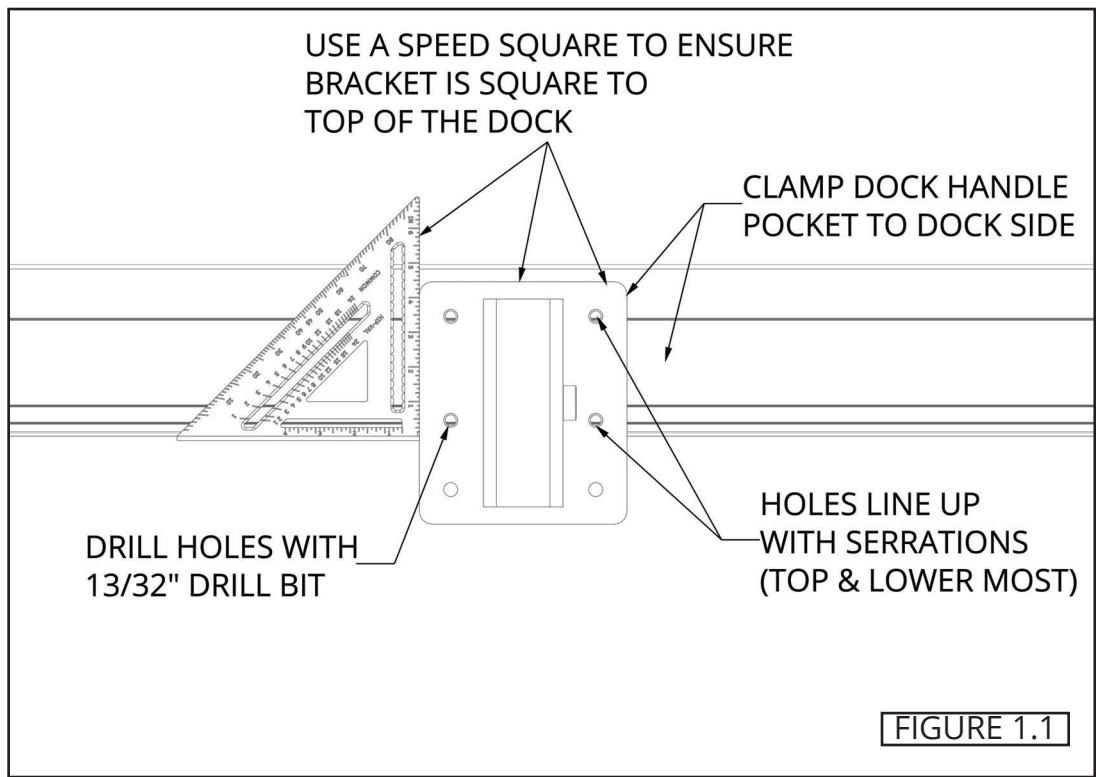
BILL OF MATERIALS/EXPLODED VIEW

NUMBER	PART NUMBER	QTY	DESCRIPTION
	510-02662-00	1	KIT, STD. SCTN'L. DOCK HANDLE ATT.
1	001-70111-00	4	HHCS, 3/8-16 X 2" 18-8 SS
2	001-71017-00	4	FLAT WASHER, 3/8" SAE SS 18-8
3	001-76071-00	4	NUT, NYLOCK 3/8-16 ALUM.

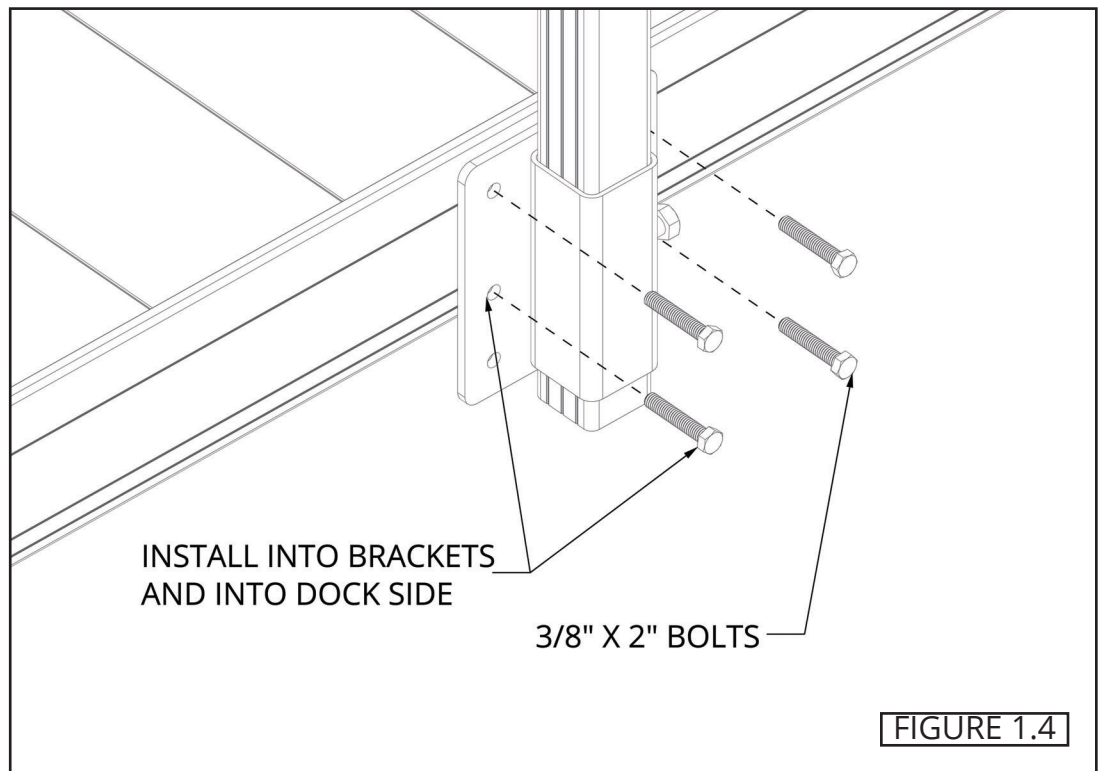
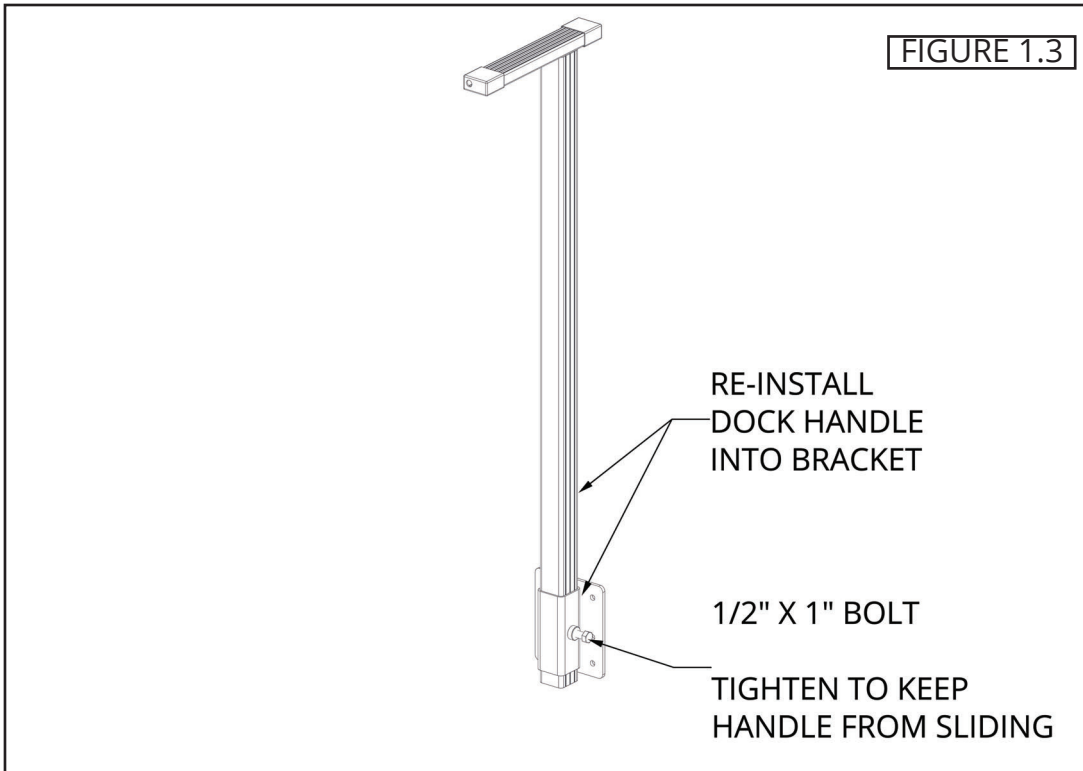


INSTALLATION

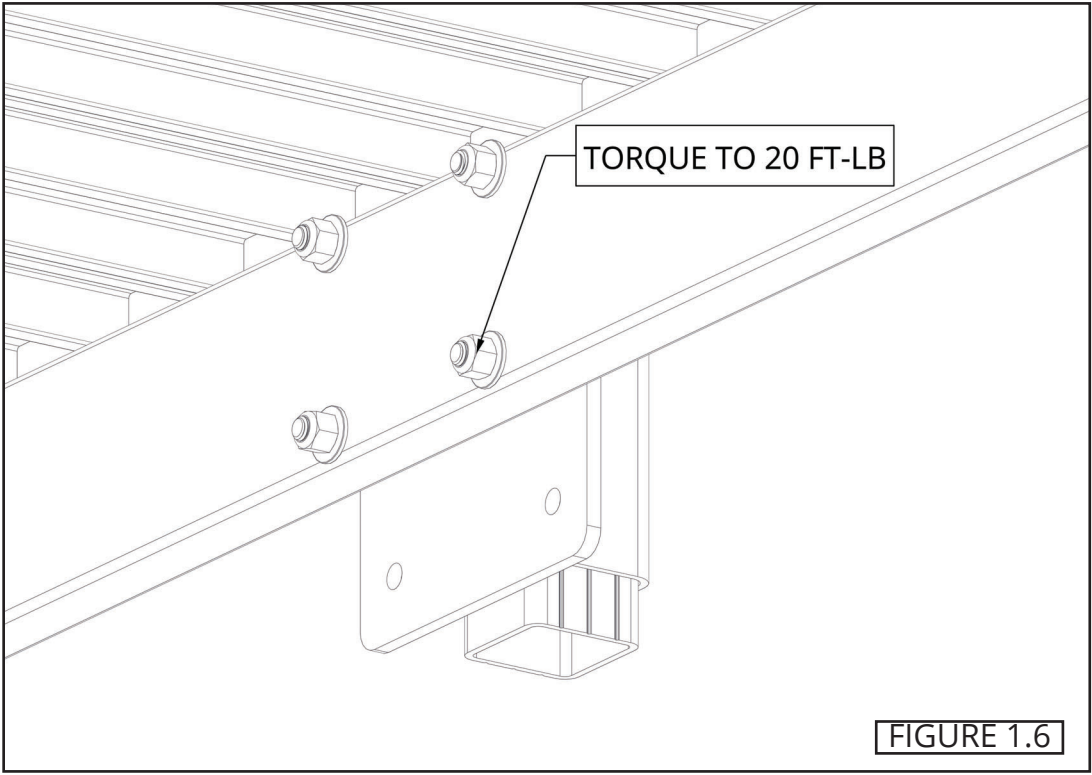
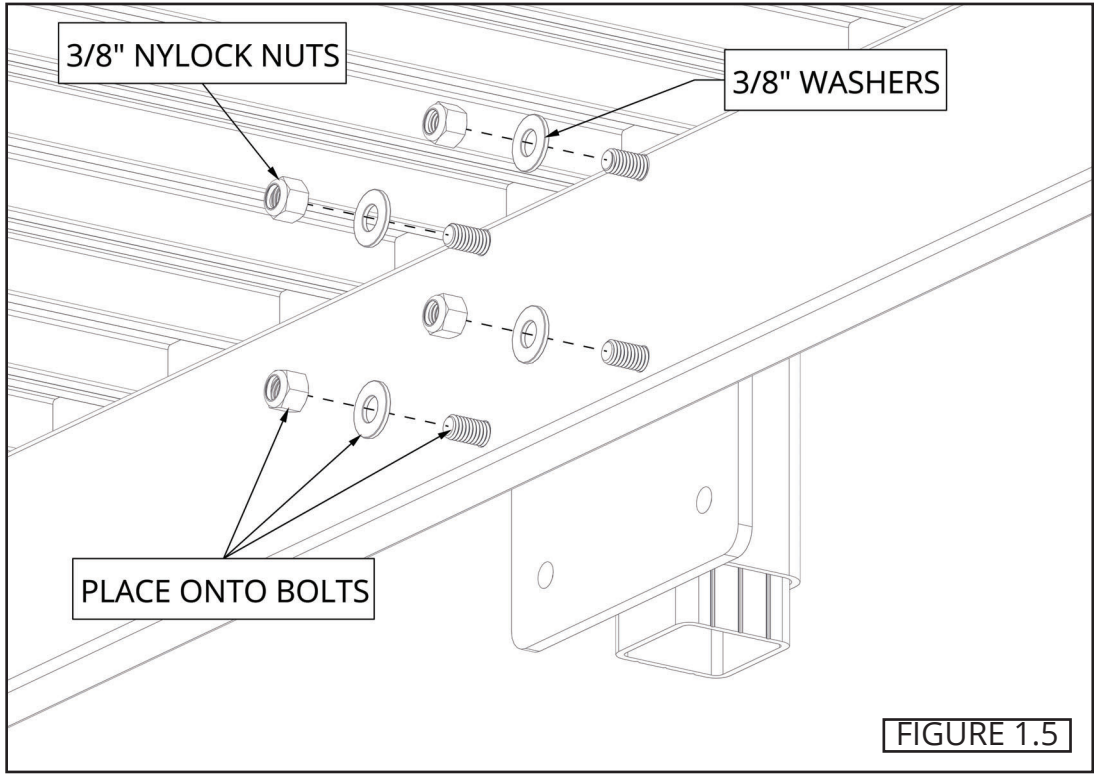
DETERMINE THE DESIRED LOCATION OF THE DOCK HANDLE ON THE SIDE OF THE DOCK. REFER TO THE FIGURE BELOW ON HOW TO POSITION THE BRACKET ON THE DOCK AND DRILL THE MOUNTING HOLES (FIGURE 1.1). **IMPORANT: ENSURE THAT YOU ARE NOT DRILLING INTO THE POCKETS WELDED TO THE INSIDE OF THE DOCK (FIGURE 1.2).**



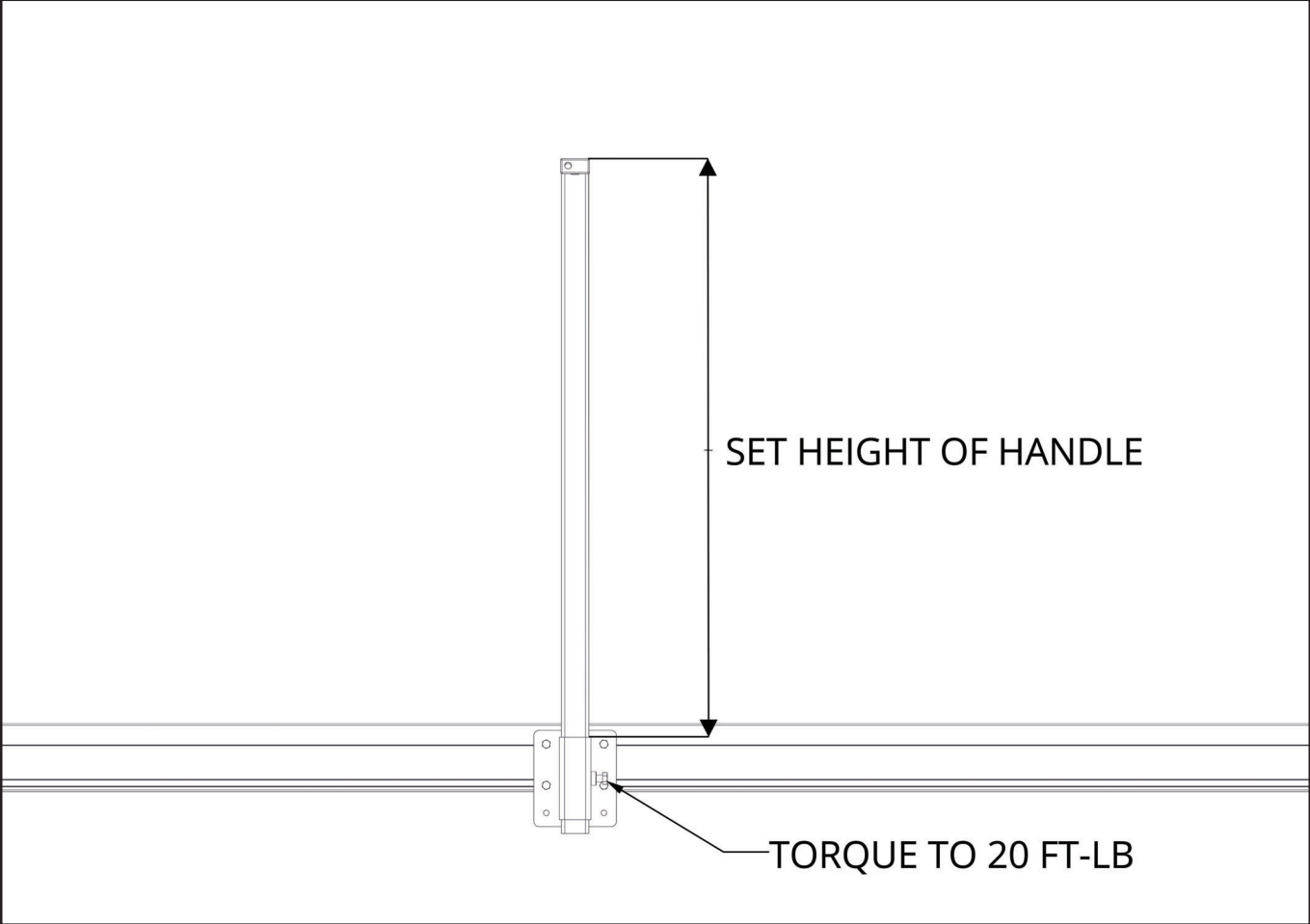
RE-INSTALL THE HANDLE INTO THE BRACKET AND TIGHTEN THE 1/2" X 1" BOLT IN THE HANDLE BRACKET ENOUGH TO KEEP THE HANDLE FROM SLIDING IN THE POCKET (FIGURE 1.3). ATTACH THE DOCK HANDLE AND BRACKET TO THE DOCK SIDE WITH (4) 3/8" X 2" BOLTS (FIGURE 1.4).



PLACE A 3/8" WASHER AND 3/8" NYLOCK NUT ONTO EACH BOLT (FIGURE 1.5). TORQUE ALL NUTS TO 20 FT-LB (FIGURE 1.6).



SET THE DESIRED HEIGHT OF THE HANDLE AND TORQUE THE 1/2" BOLT TO 20 FT-LB (FIGURE 1.7).



NOTES



FLOE INTERNATIONAL, INC.
48473 STATE HIGHWAY 65 • MCGREGOR, MN 55760
www.floeintl.com

*All material copyright © 2026 FLOE International, Inc.
Specifications subject to change without notice.*