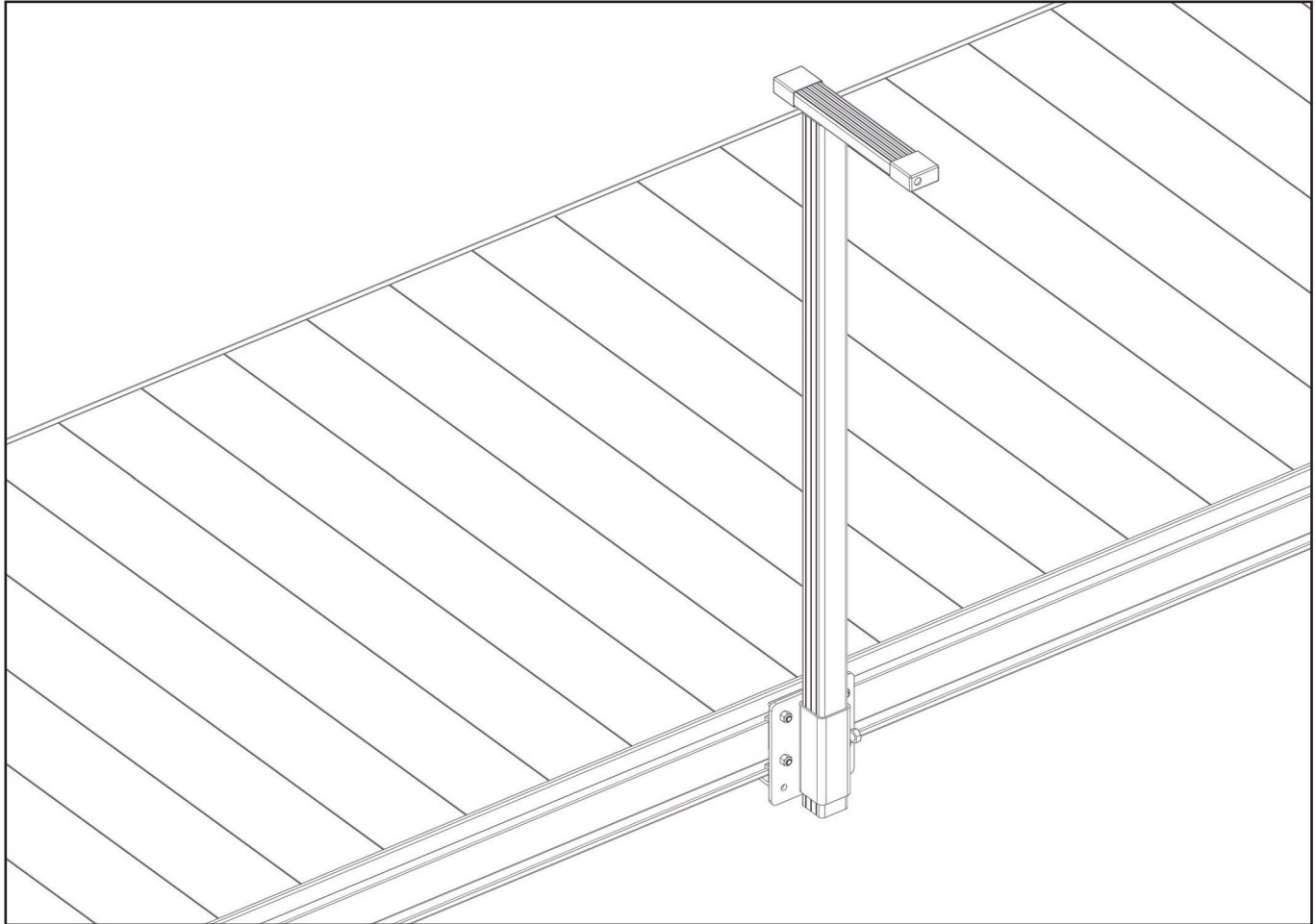




ASSEMBLY INSTRUCTIONS

FLOE QUICK ATTACH SECTIONAL DOCK DOCK HANDLE ATTACHMENT KIT

P/N 510-02660-00



For more information, go to the owner support tab on the FLOE website

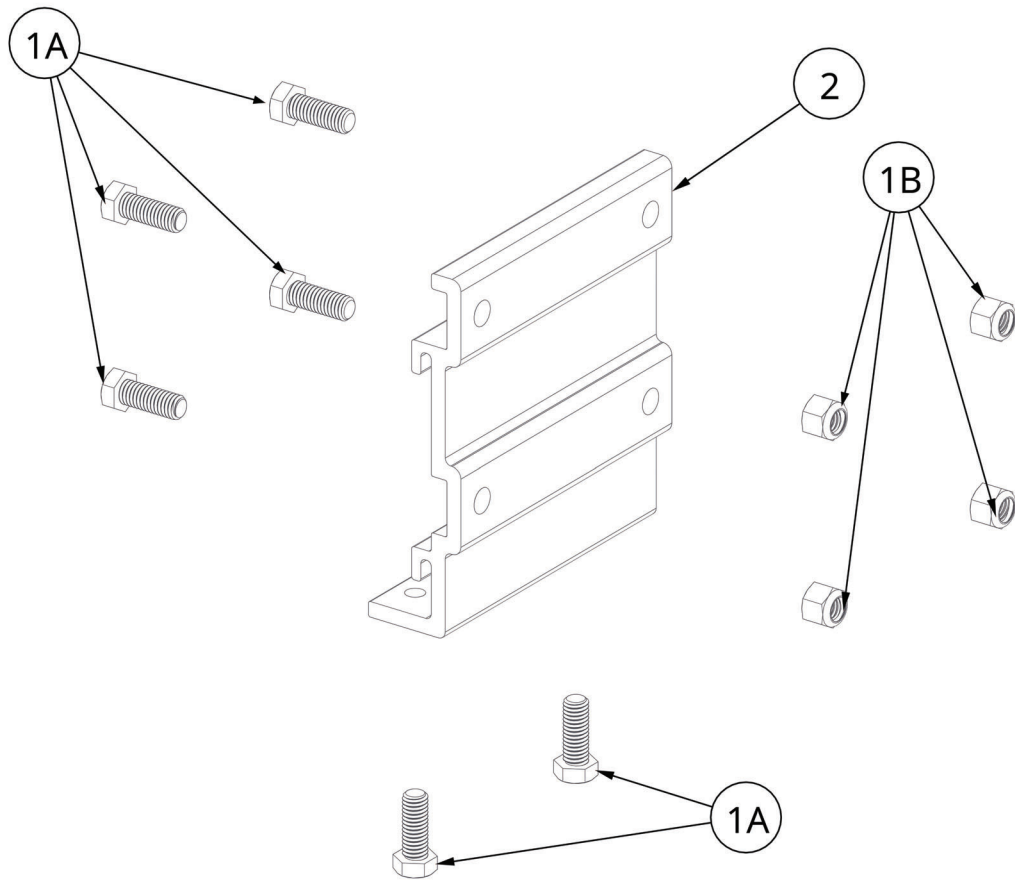
*DOCK & DOCK HANDLE NOT INCLUDED

TOOLS REQUIRED

- 9/16" SOCKET/WRENCH (NOTE: (2) 9/16" SOCKETS/WRENCHES MAY BE REQUIRED, DEPENDING ON THE STYLE OF QUICK ATTACH ACCESSORY BRACKET)
 - 3/4" WRENCH/SOCKET
 - TORQUE WRENCH
- DOCK HANDLE INSTRUCTIONS

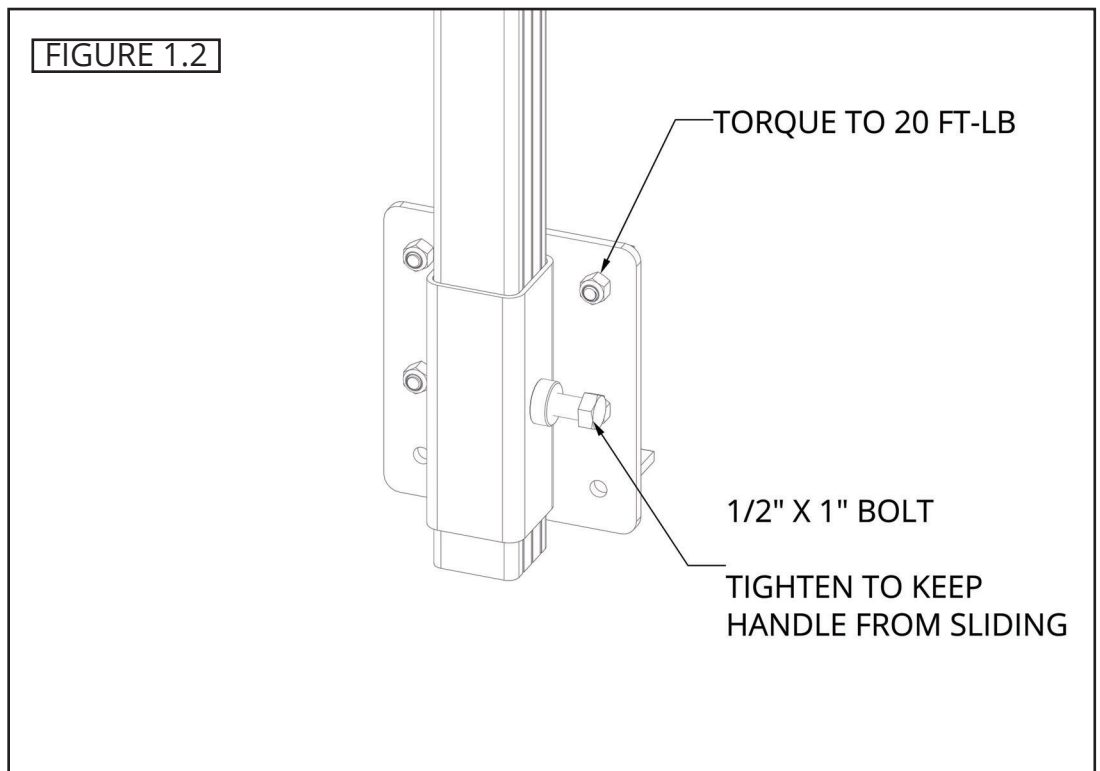
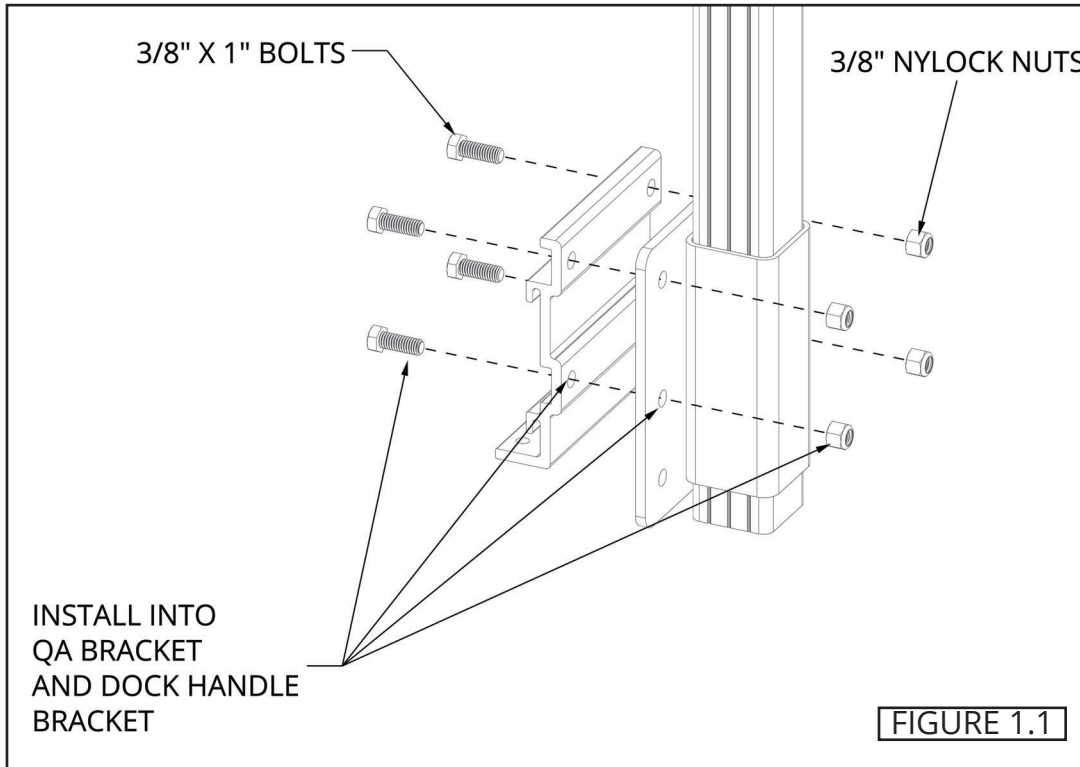
BILL OF MATERIALS/EXPLODED VIEW

NUMBER	PART NUMBER	QTY	DESCRIPTION
	510-02660-00	1	KIT, QA SCTN'L. DOCK HANDLE ATT.
1	001-02573-01	1	FASTENERS, QUICK ATT.
1A	001-70105-00	6	HHCS, 3/8-16 X 1" 18-8 SS
1B	001-76071-00	4	NUT, NYLOCK 3/8-16 ALUM.
2	002-00149-01	1	BRACKET, QA SCTN'L - 5.25"

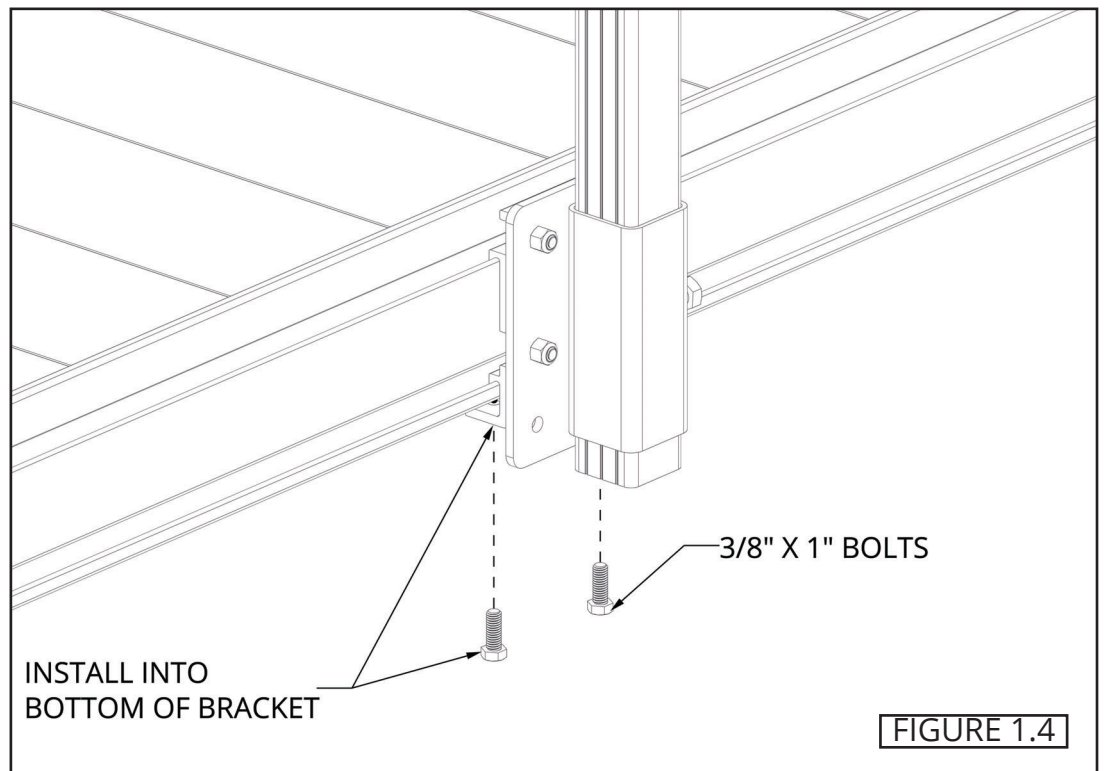
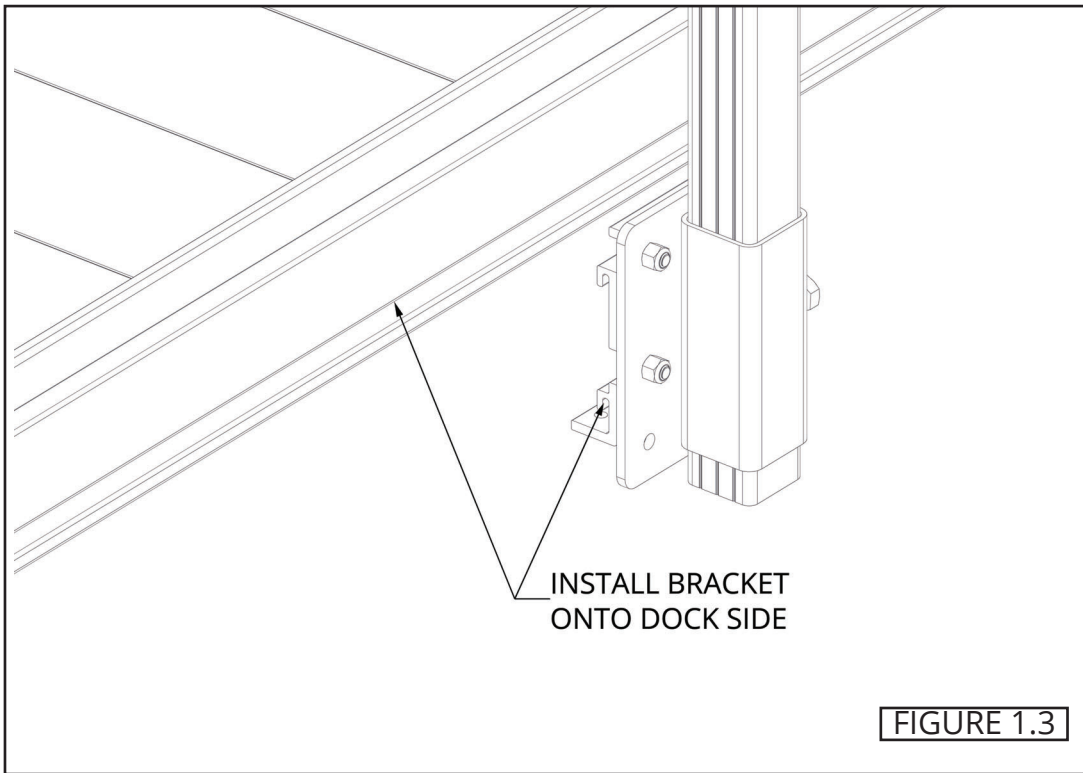


INSTALLATION

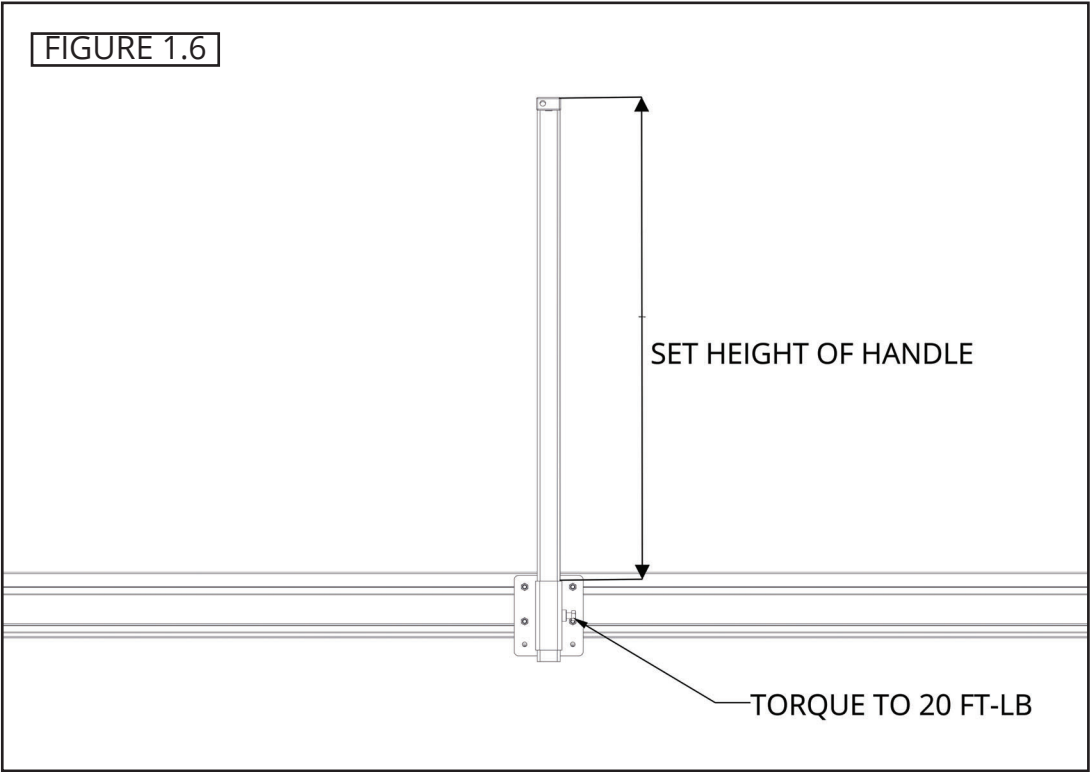
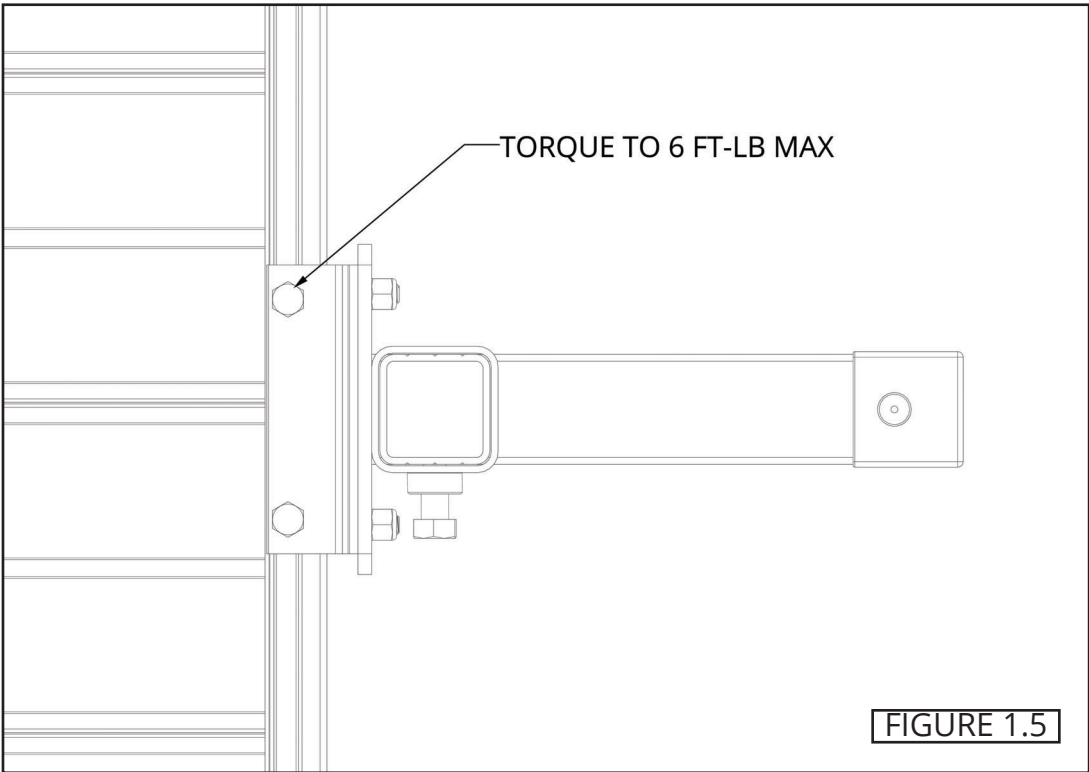
ATTACH THE QUICK ATTACH BRACKET ONTO THE DOCK HANDLE BRACKET WITH (4) 3/8" X 1" BOLTS AND (4) 3/8" NYLOCK NUTS (FIGURE 1.1). TORQUE ALL NUTS TO 20 FT-LB. TIGHTEN THE 1/2" X 1" BOLT IN THE HANDLE BRACKET ENOUGH TO KEEP THE HANDLE FROM SLIDING IN THE POCKET (FIGURE 1.2).



PLACE THE HANDLE ONTO THE SIDE OF THE DOCK IN THE DESIRED LOCATION (FIGURE 1.3).
INSTALL (2) 3/8" X 1" BOLTS INTO THE BOTTOM OF THE QUICK ATTACH BRACKET (FIGURE 1.4).



TORQUE BOLTS TO 6 FT-LB MAXIMUM (FIGURE 1.5). SET THE DESIRED HEIGHT OF THE HANDLE AND TORQUE THE 1/2" BOLT TO 20 FT-LB (FIGURE 1.6).



NOTES

NOTES



FLOE INTERNATIONAL, INC.
48473 STATE HIGHWAY 65 • MCGREGOR, MN 55760
www.floeintl.com

*All material copyright © 2026 FLOE International, Inc.
Specifications subject to change without notice.*