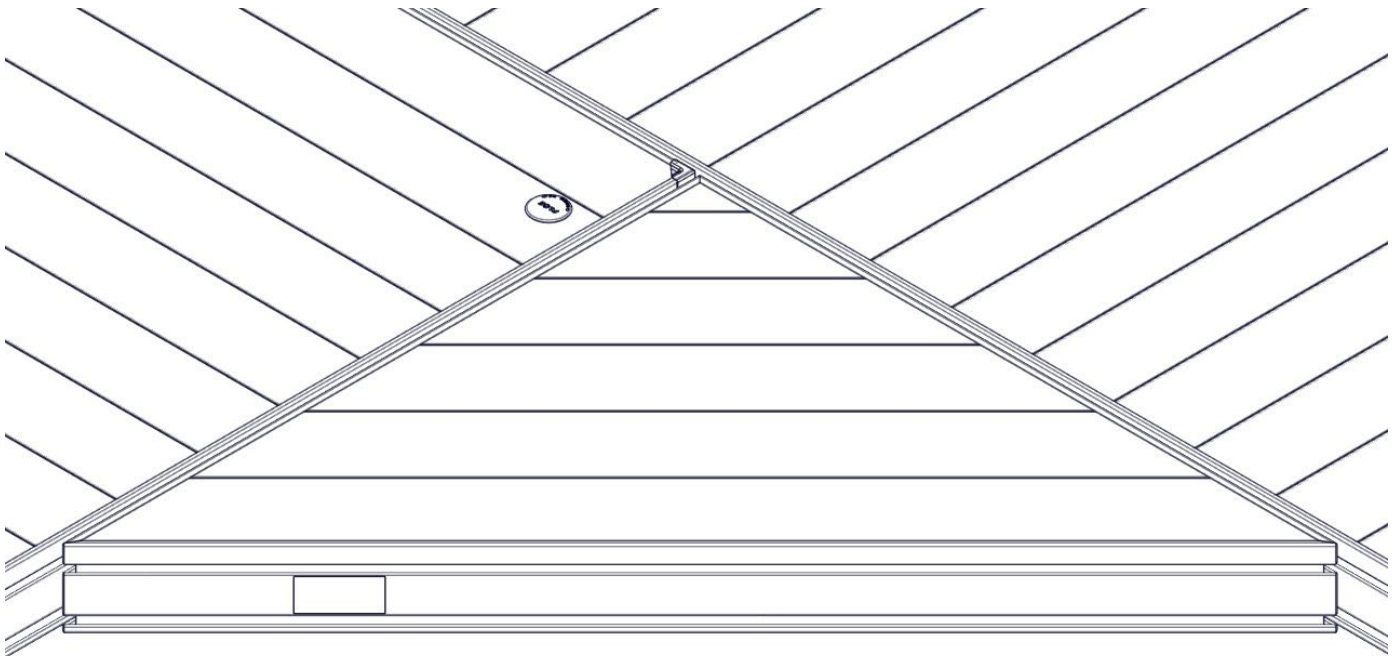


FLOE QUICK ATTACH SECTIONAL 4' WEDGE

ASSEMBLY INSTRUCTIONS

KIT P/N 510-02900-00 2' GREY
510-02901-00 2' AG CHESTNUT
510-02566-00 4' GREY
510-02567-00 4' AG KNOTTY PINE
510-02587-00 4' AG CHESTNUT
510-02902-00 6' GREY
510-02903-00 6' AG CHESTNUT
510-09420-00 4' FLOE MASTER GREY



*DOCK SECTIONS NOT INCLUDED

TOOLS REQUIRED

- 9/16" SOCKET/WRENCH
- TAPE MEASURE
- TORQUE WRENCH

INSTRUCTION P/N: 610-02566-00
RELEASED 2/23/26

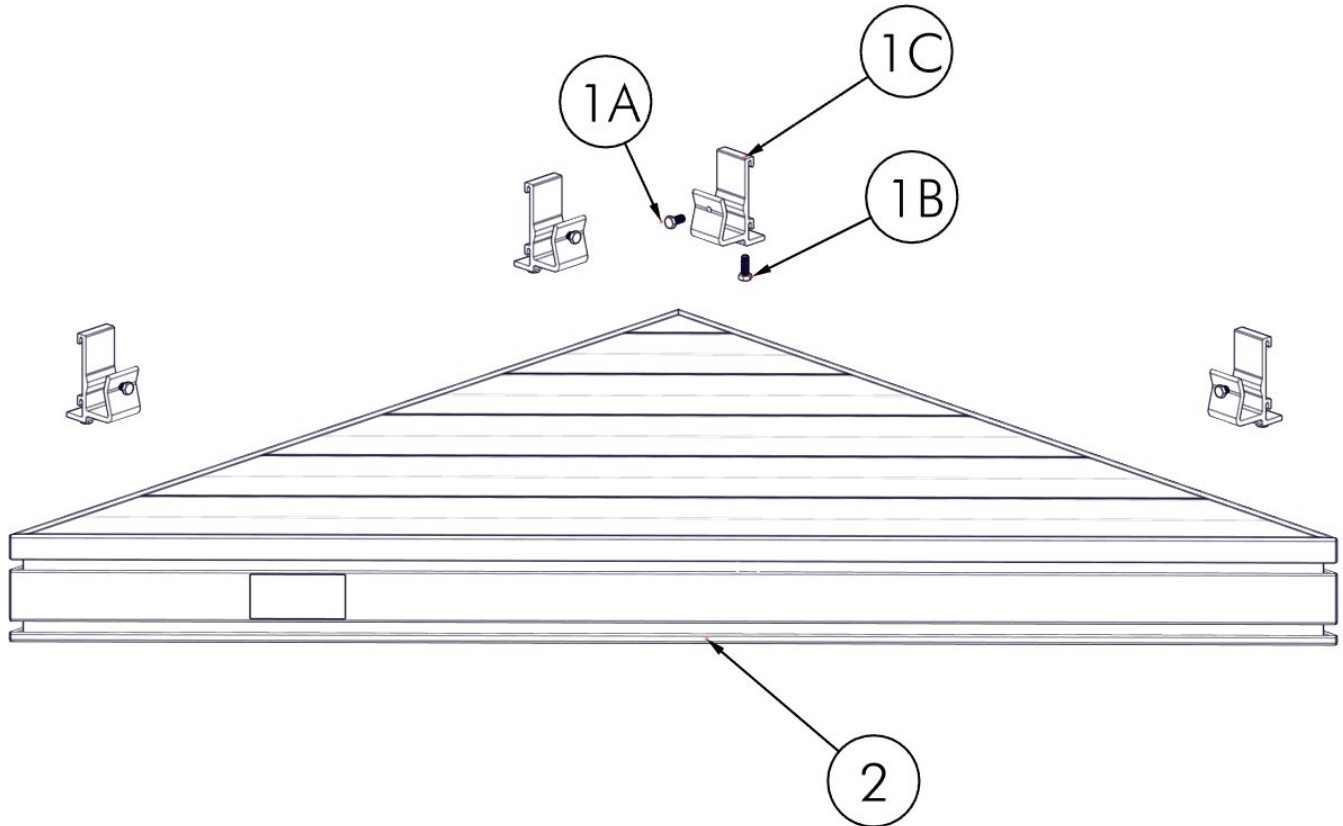
SHEET 1 OF 4

© Manufactured by:
Floe International Inc.
48473 State Hwy. 65
McGregor, MN 55760
www.floeintl.com

BILL OF MATERIALS/EXPLODED VIEW

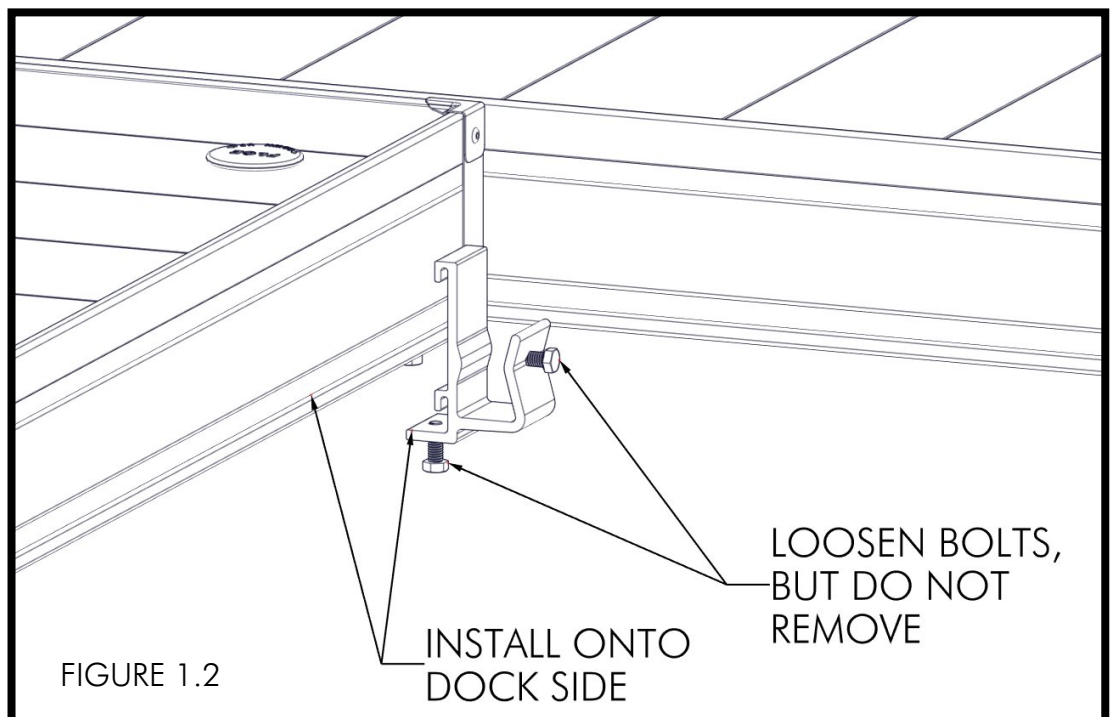
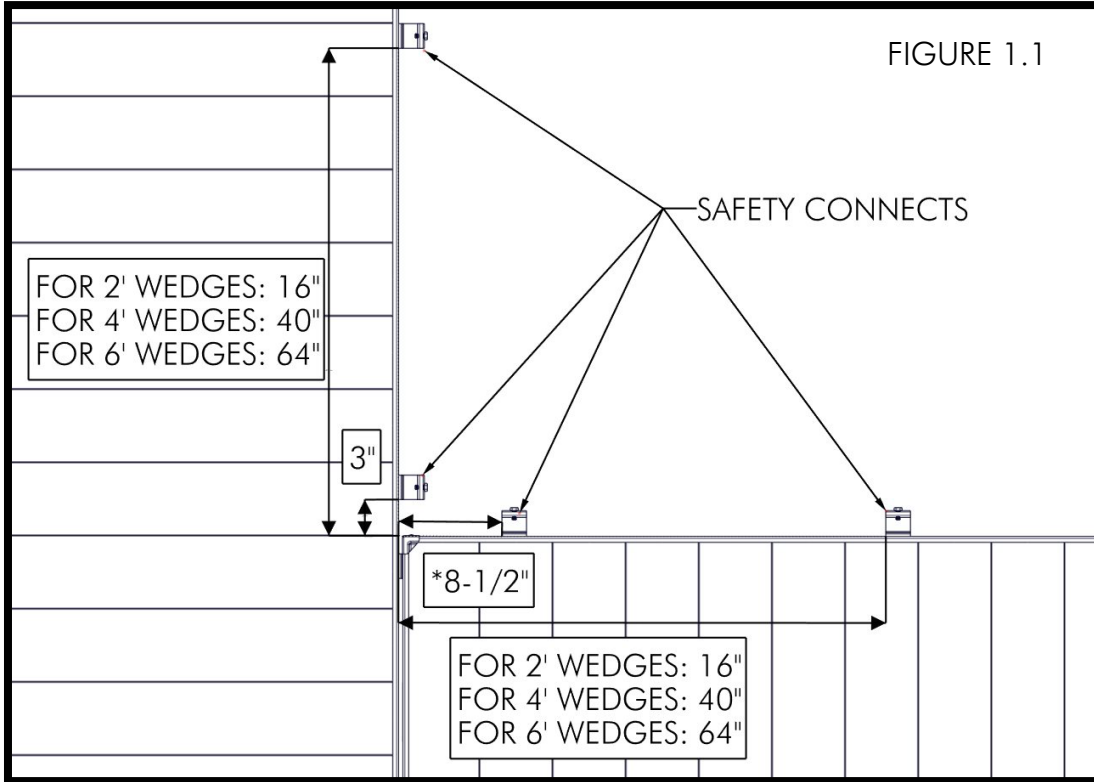
P/N 510-02566-00		4' QUICK ATTACH SECTIONAL WEDGE – GREY	
510-02567-00		4' QUICK ATTACH SECTIONAL WEDGE – AG KNOTTY PINE	
510-02587-00		4' QUICK ATTACH SECTIONAL WEDGE – AG CHESTNUT	
510-02900-00		2' QUICK ATTACH SECTIONAL WEDGE – GREY	
510-02901-00		2' QUICK ATTACH SECTIONAL WEDGE – AG CHESTNUT	
510-02902-00		6' QUICK ATTACH SECTIONAL WEDGE – GREY	
510-02903-00		6' QUICK ATTACH SECTIONAL WEDGE – AG CHESTNUT	
NUMBER	PART NUMBER	DESCRIPTION	QTY
*1	110-00250-00	ASS'Y, QUICK ATT. SCTNL. ACC. SAFETY CON.	4
1A	001-70103-00	HHCS, 3/8-16 X 3/4" 18-8 SS	1
1B	001-70105-00	HHCS, 3/8-16 X 1" 18-8 SS	1
1C	002-00134-00	CONNECT, QUICK ATT. SCTNL. WEDGE SAFETY	1
2	110-02060-00	WELD'T, QUICK ATT. SCTNL. WEDGE 4' GREY	1
	110-02061-00	WELD'T, QUICK ATT. SCTNL. WEDGE 4' AG KNOTTY PINE	
	110-02203-00	WELD'T, QUICK ATT. SCTNL. WEDGE 4' AG CHESTNUT	
	110-02222-00	WELD'T, QUICK ATT. SCTN'L WEDGE 2' GREY	
	110-02223-00	WELD'T, QUICK ATT. SCTN'L WEDGE 2' AG CHESTNUT	
	110-02224-00	WELD'T, QUICK ATT. SCTN'L WEDGE 6' GREY	
	110-02225-00	WELD'T, QUICK ATT. SCTN'L WEDGE 6' AG CHESTNUT	
	110-09421-00	ASS'Y, QA FLOWTHRU 4' WEDGE, GREY	

*2' WEDGES ONLY HAVE 3 SAFTEY CONNECTS



INSTALLATION

FIRST, DETERMINE WHERE THE WEDGE WILL BE INSTALLED ON THE DOCK SYSTEM. REFER TO FIGURES 1.1 & 1.2 FOR PLACEMENT AND INSTALLATION OF THE SAFETY CONNECTS ONTO THE DOCK SIDES. FOR 2' WEDGES, THERE ARE ONLY (3) SAFETY CONNECTS INCLUDED, SO THEY ARE PLACED AT 3" AND 16" (*8-1/2" PLACEMENT IS NOT USED).



LOWER THE WEDGE INTO THE SAFETY CONNECTS (FIGURE 1.3). TIGHTEN THE BOLTS ON THE SIDE OF THE CONNECT TO 8 FT-LB AND THE BOLTS ON THE BOTTOM OF THE CONNECT TO 6 FT-LB MAXIMUM (FIGURE 1.4).

