

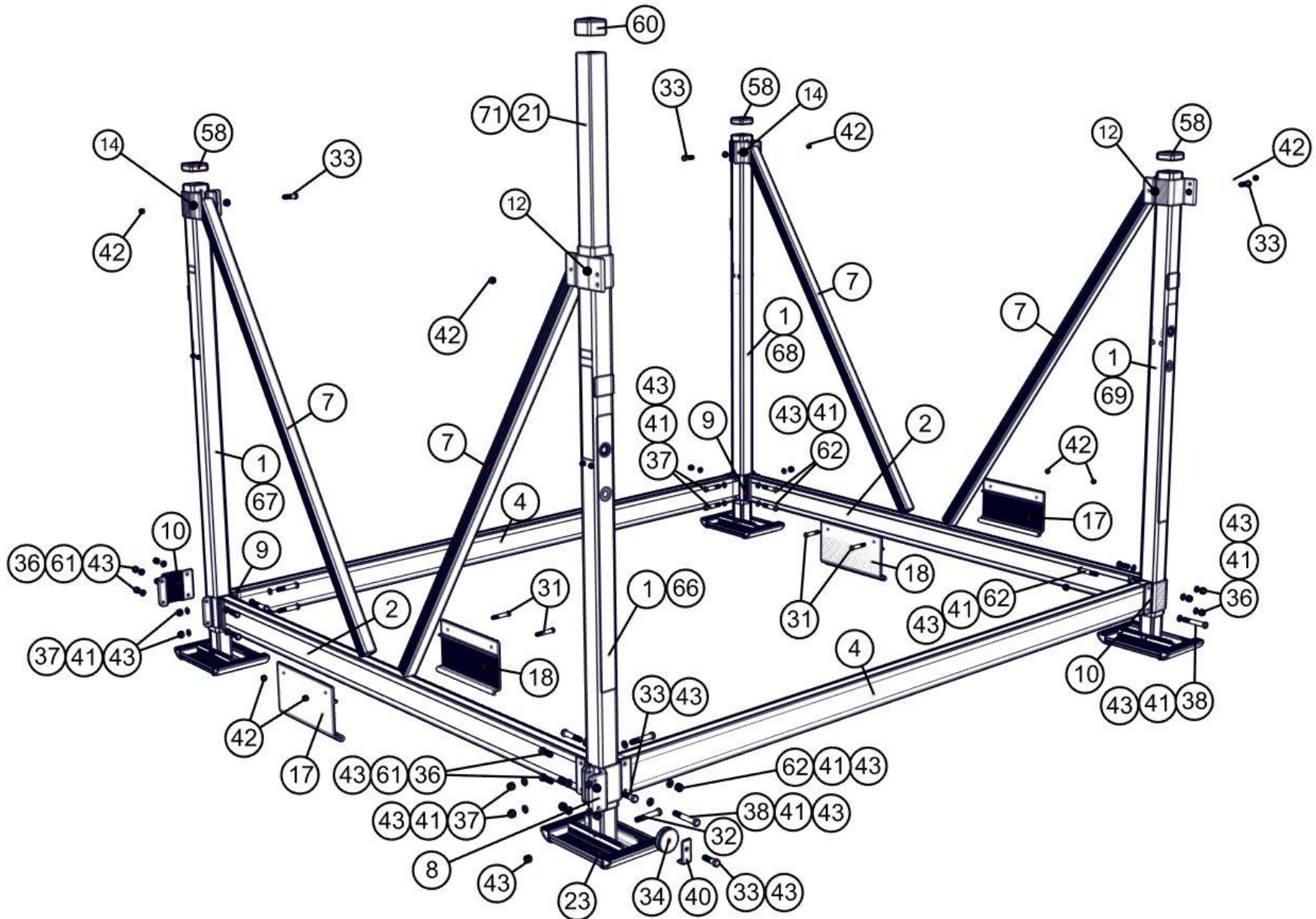
VSD-4600 EXPLODED VIEW

LIFT P/N 511-46000-01

NO.	PART NO.	QTY.	DESCRIPTION	NO.	PART NO.	QTY.	DESCRIPTION
1	002-00047-01	4	CORNER POST 74" SCREW LEG(.187)	50	001-70861-00	8	NUT, 5/16-18 ALUMINUM NYLOCK
2	002-00054-00	2	SIDE FRAME BEAM 96" (.125)	51	001-74402-00	8	CARRIAGE BOLT, 5/16-18 X 3 1/2" ss 18-8
3	002-04314-00	4	LEVEL LEG BRACKET (3")	52	001-26969-00	4	PIN, GROOVE 5/32" X 15/16"
4	002-00055-00	2	F/R FRAME BEAM 116" (.125)	53	001-26911-00	4	PIN, DOWEL 3/16" X 7/8"
5	002-04015-00	7	CRADLE CLAMP 1.5"	54	007-05023-00	4	TOP BEVEL GEAR - 1:1
6	002-04017-00	1	CRADLE LIFT CLAMP 2.5"	55	007-15024-00	4	BOTTOM BEVEL GEAR - 1:1 (FAB)
7	002-04022-01	4	V-BRACE 77"	56	007-05079-00	4	BEVEL GEAR ADJUSTMENT SCREW
8	002-00004-00	1	FRAME BEAM WINCH CLAMP	57	001-70209-00	8	HHCS, 1/2-13 1 1/2" SS 18-8
9	002-00005-00	4	FRAME BEAM (INNER)	58	006-15200-00	3	3" CORNER POST CAP
10	002-00003-00	3	FRAME BEAM CLAMP (OUTER)	59	001-76069-00	8	5/8" FLAT WAASHER- NYLON
11	002-04031-00	4	CRADLE GUIDE	60	006-15022-00	1	CAP, VINYL-CANOPY/ WINCH INSERT
12	002-00001-00	2	BRACKET,UPPER LFTG./V-BRACE	61	001-71023-00	16	FLAT WASER, .5 ID X .75 OD ss
13	001-70117-00	4	HHCS, 3/8-16 X 3 1/2" 18-8 SS	62	001-70215-00	6	HHCS, 1/2-13 3" SS 18-8
14	002-00002-00	2	BRACKET, UPPER V-BRACE - 4"				
15	002-04040-00	2	SIDE CRADLE 109"				
16	002-00068-00	1	FRONT CRADLE BEAM 121" (.145)	SUB-ASSEMBLIES			
17	002-04064-00	2	V-BRACE CLAMP (FEMALE)	63	111-00045-01		SIDE CRADLE ASSEMBLY (RIGHT)
18	002-04066-00	2	V-BRACE CLAMP (MALE)				INCLUDES ITEMS 11,15,24,25,26,30,39,46,47
19	111-00216-01	4	WELD'T, INNER LEG 4600-500				
20	911-20601-00	4	CRADLE U-CLAMP 2.125"	64	1111-00046-01		SIDE CRADLE ASSEMBLY (LEFT)
21	911-14201-00	1	ADJUSTABLE LEG 38" (.125")				INCLUDES ITEMS 11,15,24,25,26,30,39,46,47
22	911-15601-00	1	REAR CRADLE BEAM 121" (.145)				
23	111-00000-00	4	SAND PAD	65	111-00432-01		FRONT CRADLE ASSEMBLY (.188)
24	006-10202-00	4	CRADLE GUIDE WEAR PAD				INCLUDES ITEMS 16,27,30,39,45
25	006-11001-00	4	UHMW - 3/16" x 1/2" x 5" LG.				
26	007-07700-00	4	SPACER TUBE - 1.297"	66	111-00402-02		V4000/4600 CORNER POST ASSY (A)
27	077-07703-00	2	SPACER TUBE - .860"				INCLUDES ITEMS 1,19,21,35,41,43,44,48,50,51,58,70,71
28	007-09000-00	2	SIDE LEVELING CABLE - 166.875"				
29	007-09300-00	1	FRONT LEVELING CABLE - 200 1/2"	67	1111-00433-02		V40000/4600 CORNER POST ASSY (B)
30	111-00107-00	6	5" SHEAVE W/BUSHING				INCLUDES ITEMS 1,19,50,51,58,70,
31	001-70115-00	8	HHCS, 3/8-16 x 3" SS 18-8				
32	001-70218-00	4	HHCS, 1/2-13 x 3 3/4" ss 18-8	68	111-00434-02		V4000/4600 CORNER POST ASSY (C)
33	001-70211-00	5	HHCS, 1/2-13 x 2" ss 18-8				INCLUDES ITEMS 1,19,50,51,58,70
34	007-06201-00	1	3" CLAMP SHEAVE				
35	001-70207-00	1	HHCS, 1/2-13 x 1 1/4" ss 18-8	69	111-00435-02		V4000/4600 CORNER POST ASSY (D)
36	001-70210-00	8	HHCS, 1/2-13 x 1 3/4" ss 18-8				INCLUDES ITEMS 1,19,50,51,58,70
37	001-70217-00	8	HHCS, 1/2-13 X 3 1/2" ss 18-8				
38	001-70221-00	2	HHCS, 1/2-13 X 4 1/2" ss 18-8	70	111-00234-01		ASS'Y INNER LEG 4600-5000
39	001-70816-00	6	NUT, JAM 5/8-11 ss 18-8				INCLUDES ITEMS 3,19,,48,49,52,53,54,55,56,57,59
40	002-04140-00	1	CABLE HOLDER				
41	001-71022-00	37	1/2" FLAT WASHER USS ss 18-8	71	111-00411-01		ASS'Y, CANOPY/ WINCH NEW EXTR.
42	001-76071-00	8	NUT, 3/8-16 ALUM. NYLOCK				21,35,43,48,60
43	001-76072-00	32	NUT, 1/2-13 ALUM. NYLOCK				
44	001-76350-00	5	NUT, 1/2-13 ALUM.				
45	001-70310-00	2	HHCS, 5/8-11 X 1 3/4" ss 18-8				
46	001-70313-00	4	HHCS, 5/8-11 X 2 1/2" ss 18-8				
47	006-10206-00	8	SIDE CRADLE SHEAVE SPACER				
48	001-71021-00	12	1/2" FLAT WASHER SAE ss 18-8				
49	001-71024-00	16	5/8" FLAT WASHER 1 1/4 OD ss 18-8				

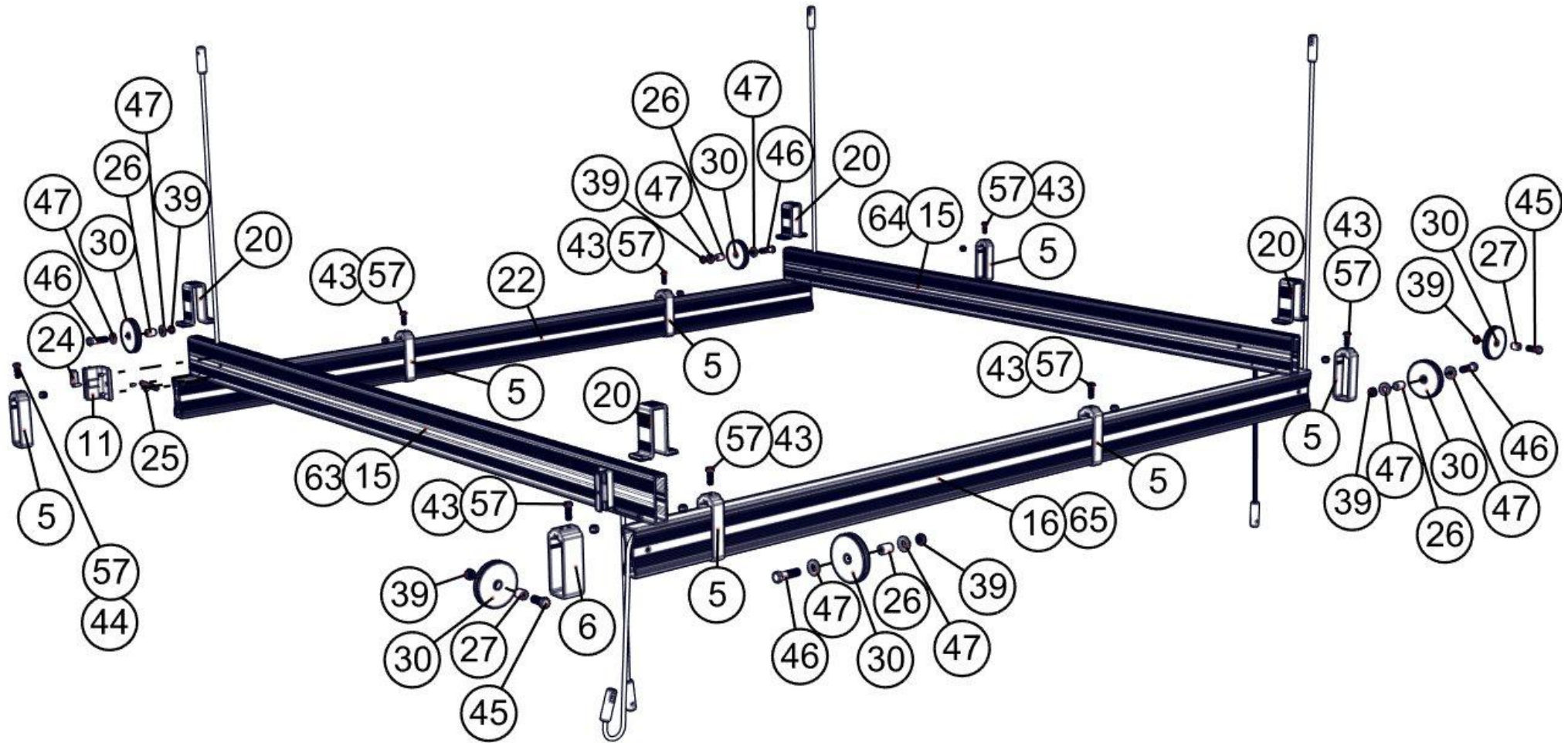
V-4600 Frame Exploded View A

LIFT P/N 511-46000-01



V-4600 Frame Exploded View B

LIFT P/N 511-46000-01



V-4600 Frame Exploded View C

LIFT P/N 511-46000-01

