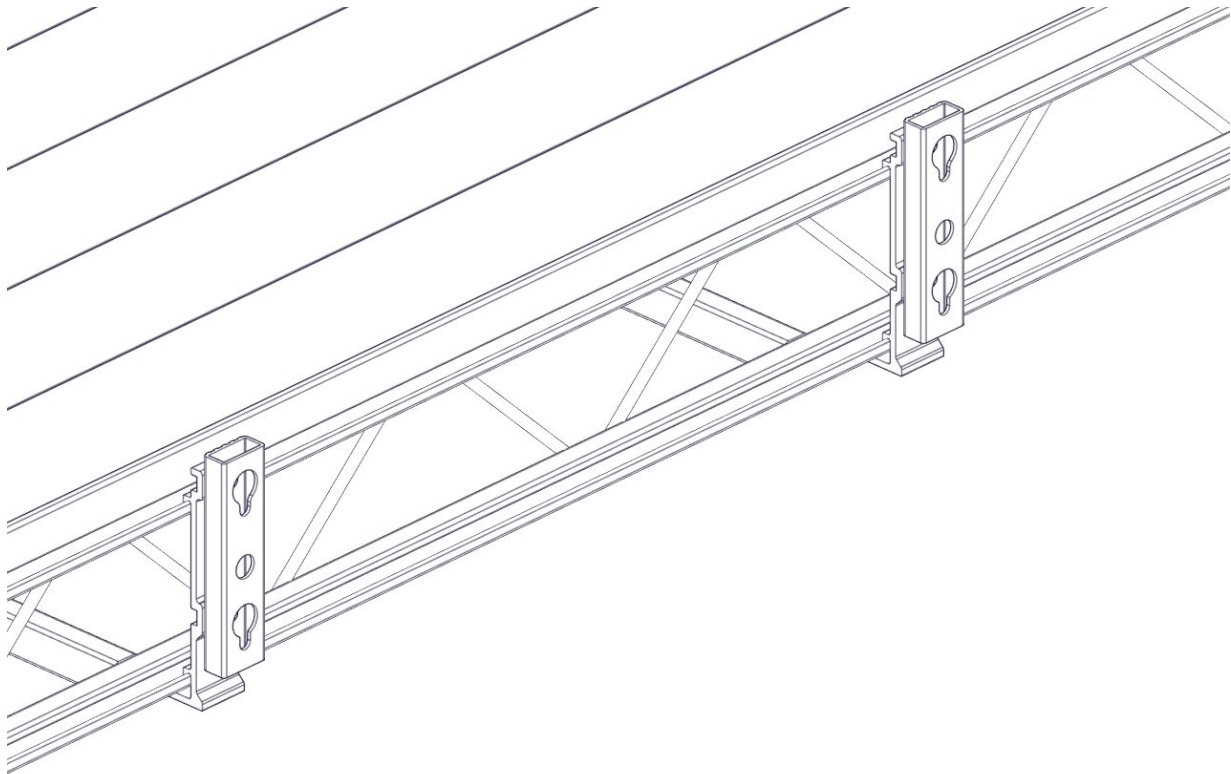


# FLOE QUICK ATTACH ROLL IN DOCK STEPS BRACKETS

ASSEMBLY INSTRUCTIONS

KIT P/N 510-02605-00



\*STAIR BRACKETS NOT INCLUDED

## TOOLS REQUIRED

- 9/16" SOCKET/WRENCH
- TAPE MEASURE
- TORQUE WRENCH

### NOTE:

REFER TO DOCK STEPS INSTRUCTIONS TO COMPLETE INSTALLATION

INSTRUCTION P/N: 610-02605-00

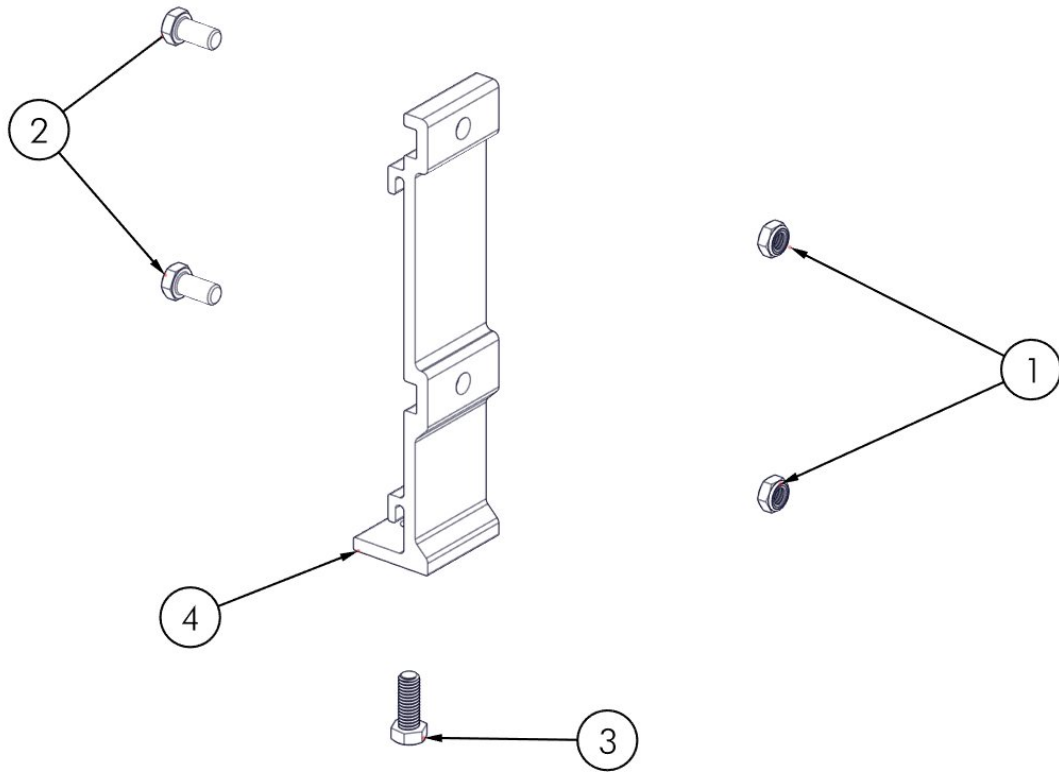
RELEASED 4/1/21

SHEET 1 OF 8

© Manufactured by:  
Floe International Inc.  
48473 State Hwy. 65  
McGregor, MN 55760  
[www.floeintl.com](http://www.floeintl.com)

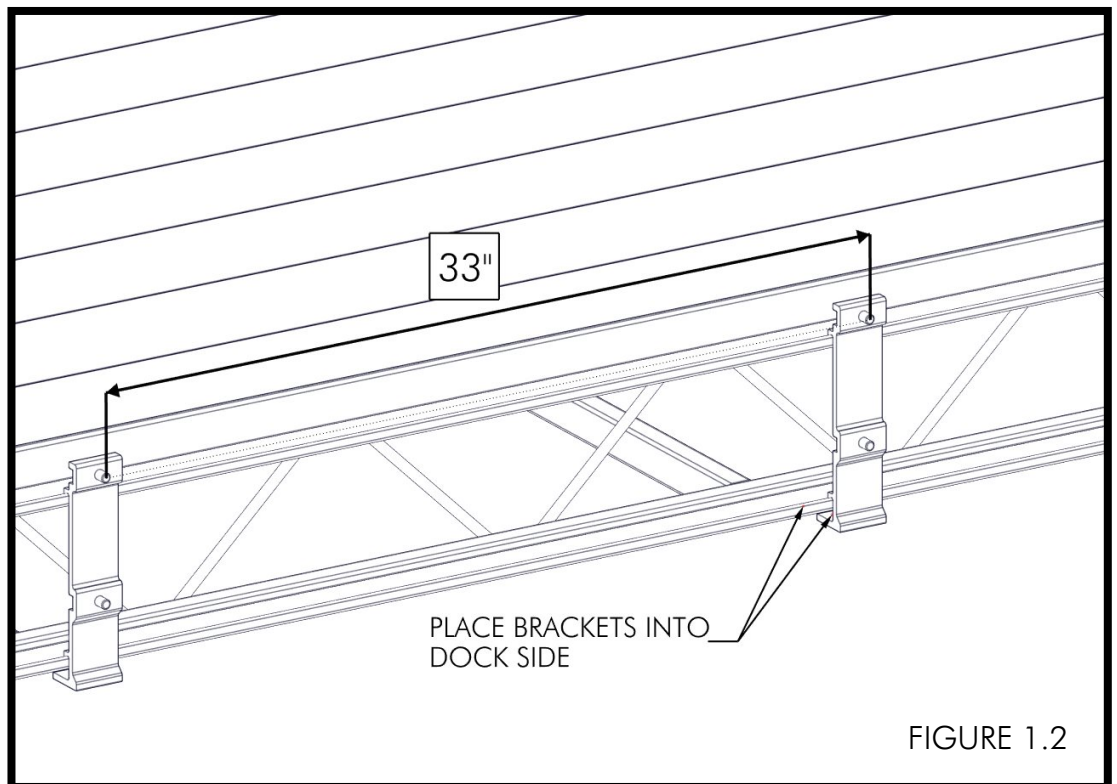
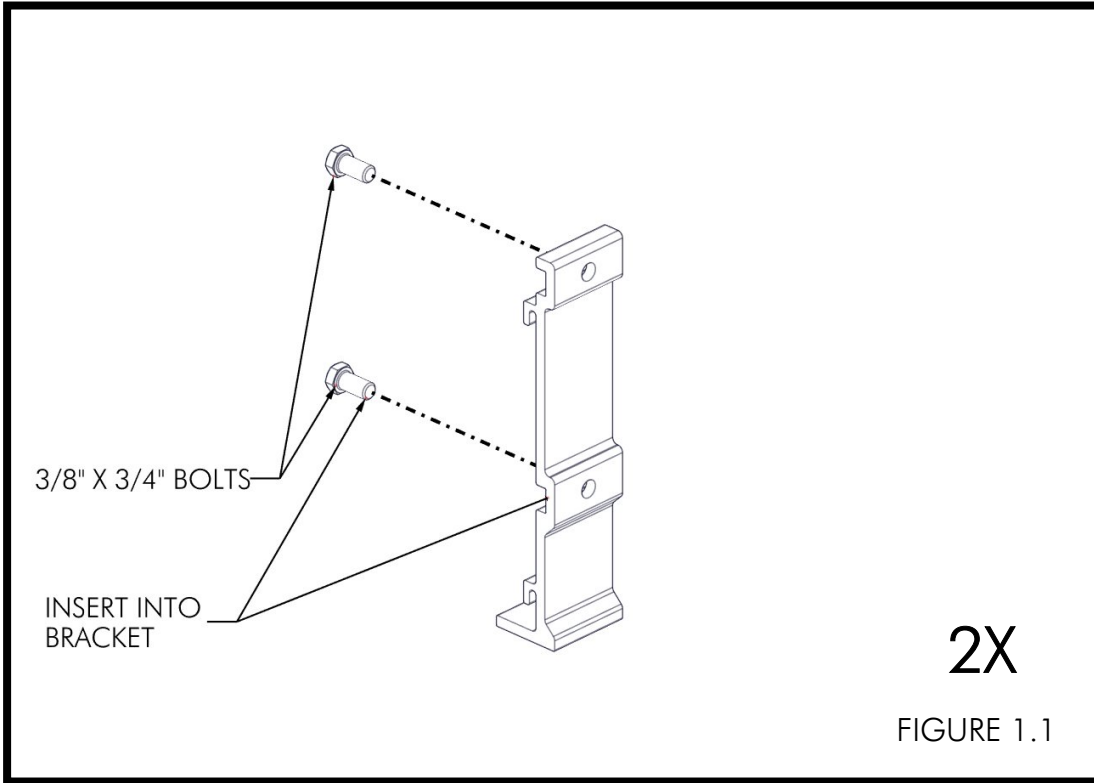
# BILL OF MATERIALS/EXPLODED VIEW

P/N 510-02605-00		KIT, QA ROLL IN BRKT. DOCK STEPS	
NUMBER	PART NUMBER	QTY.	DESCRIPTION
1	001-37026-00	4	NUT, 3/8-16 JAM NYLOCK - ZINC
2	001-70103-00	4	HHCS, 3/8-16 X 3/4" 18-8 SS
3	001-70105-00	2	HHCS, 3/8-16 X 1" 18-8 SS
4	002-00276-00	2	BRACKET, QUICK ATT. ROLL IN ACC. - 2"

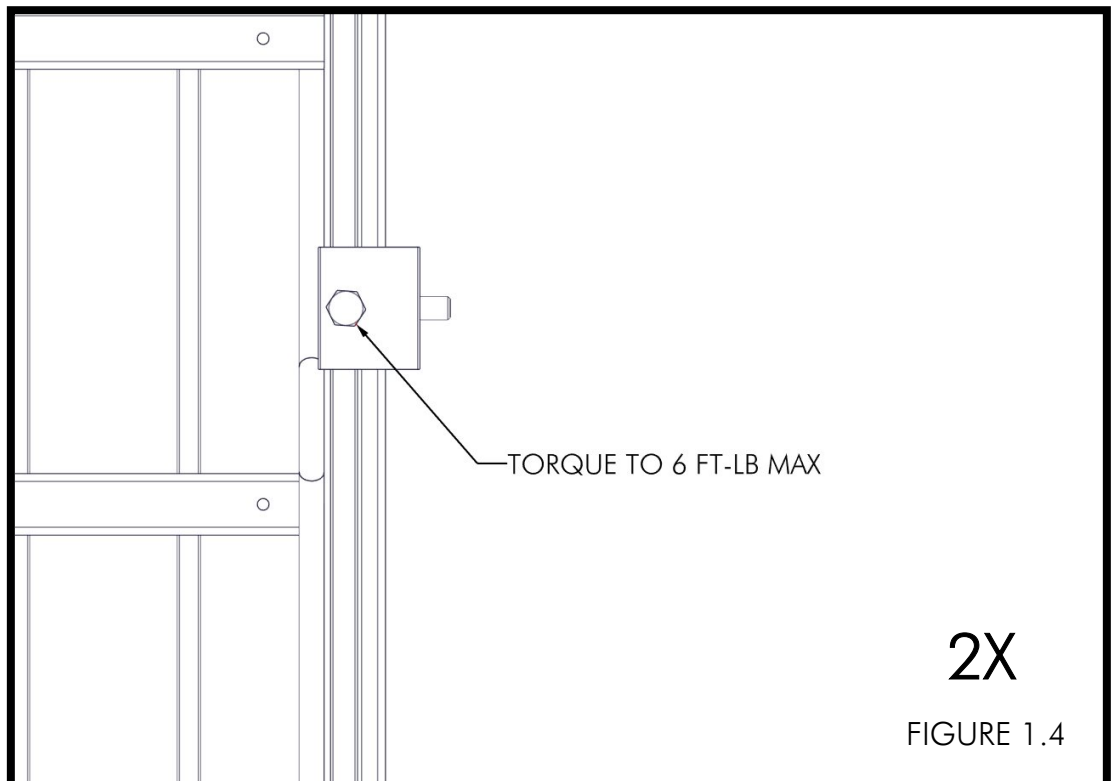
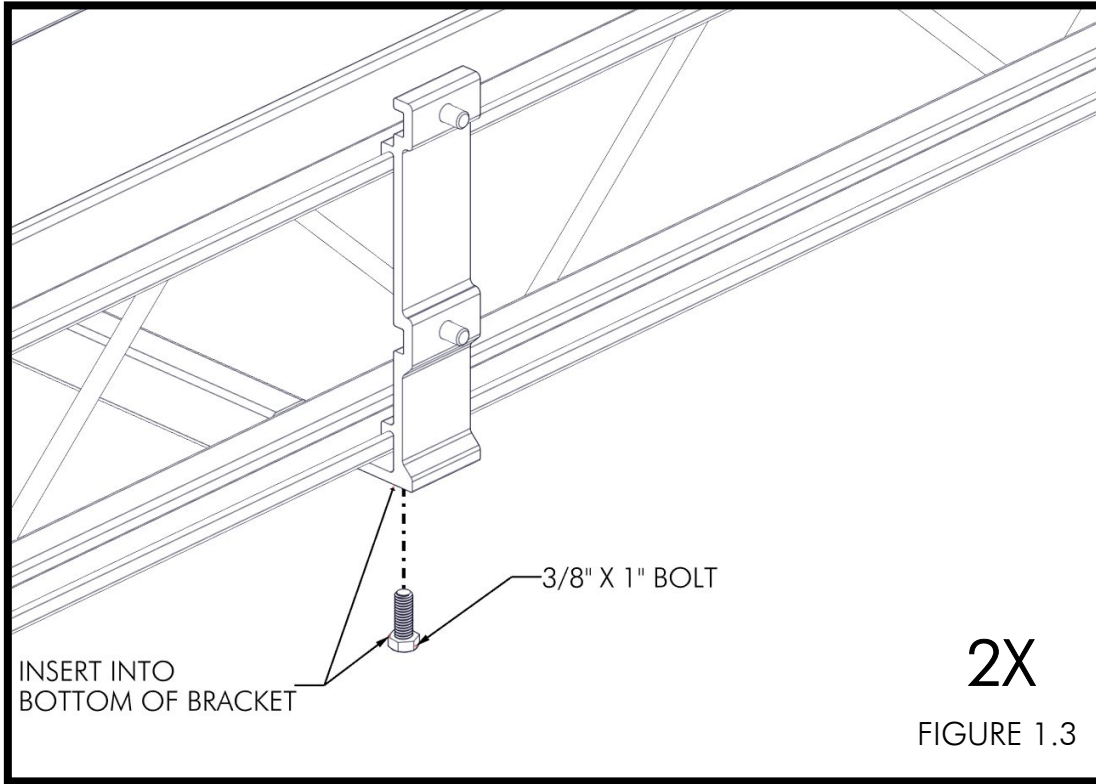


# ASSEMBLY

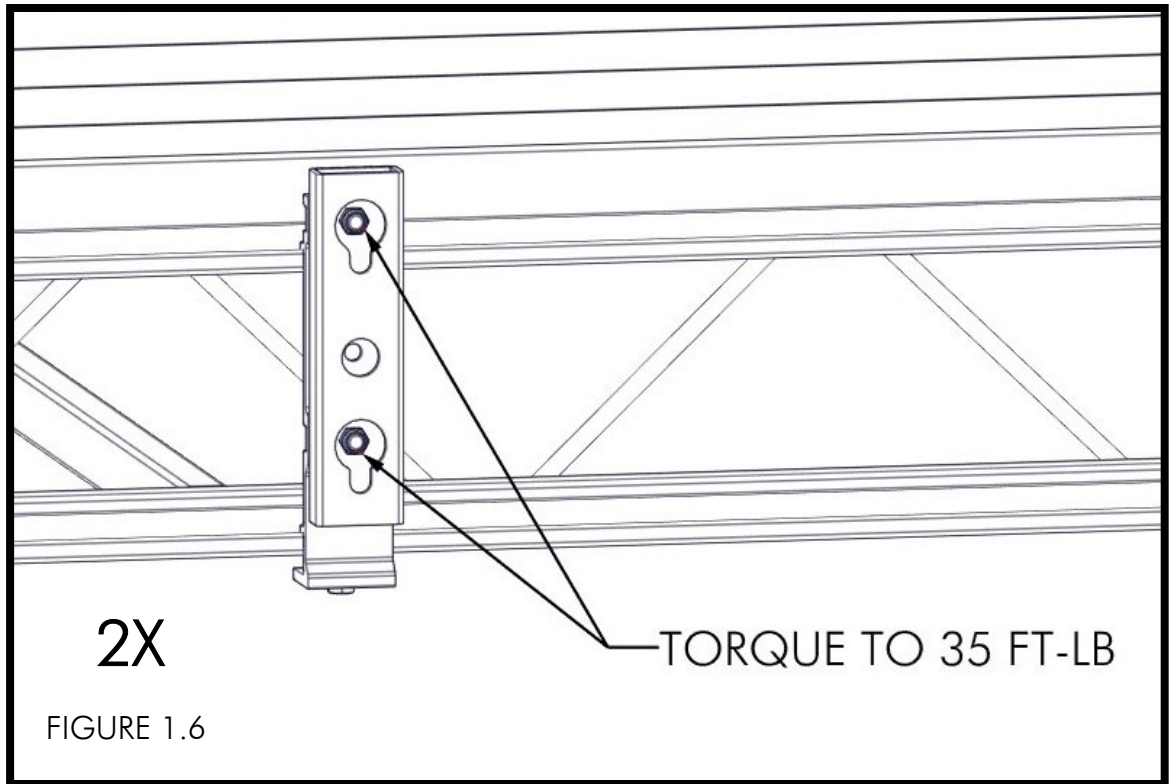
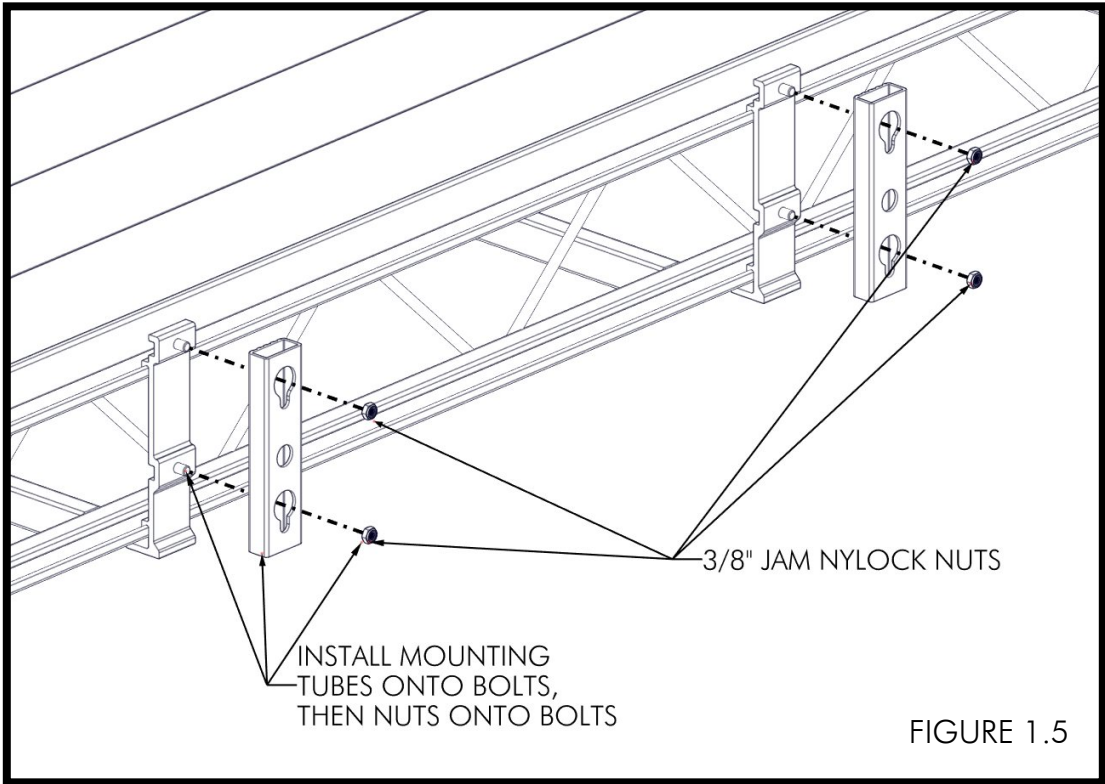
INSTALL (2) 3/8" X 3/4" BOLTS INTO EACH BRACKET (FIGURE 1.1). PLACE THE BRACKET INTO THE DOCK SIDE IN THE DESIRED LOCATION, 33" APART CENTER TO CENTER (FIGURE 1.2).



INSERT (2) 3/8" X 1" BOLTS INTO THE BOTTOM OF EACH BRACKET (FIGURE 1.3) AND TORQUE TO 6 FT-LB MAXIMUM (FIGURE 1.4).



INSTALL THE MOUNTING TUBES (SOLD SEPARATELY) ONTO THE BOLTS AND ATTACH USING (2) 3/8" JAM NYLOCK NUTS PER BRACKET (FIGURE 1.5). TORQUE NUTS TO 35 FT-LB (FIGURE 1.6).



**NOTES**

# **NOTES**

