

# FLOE DOCK FURNITURE

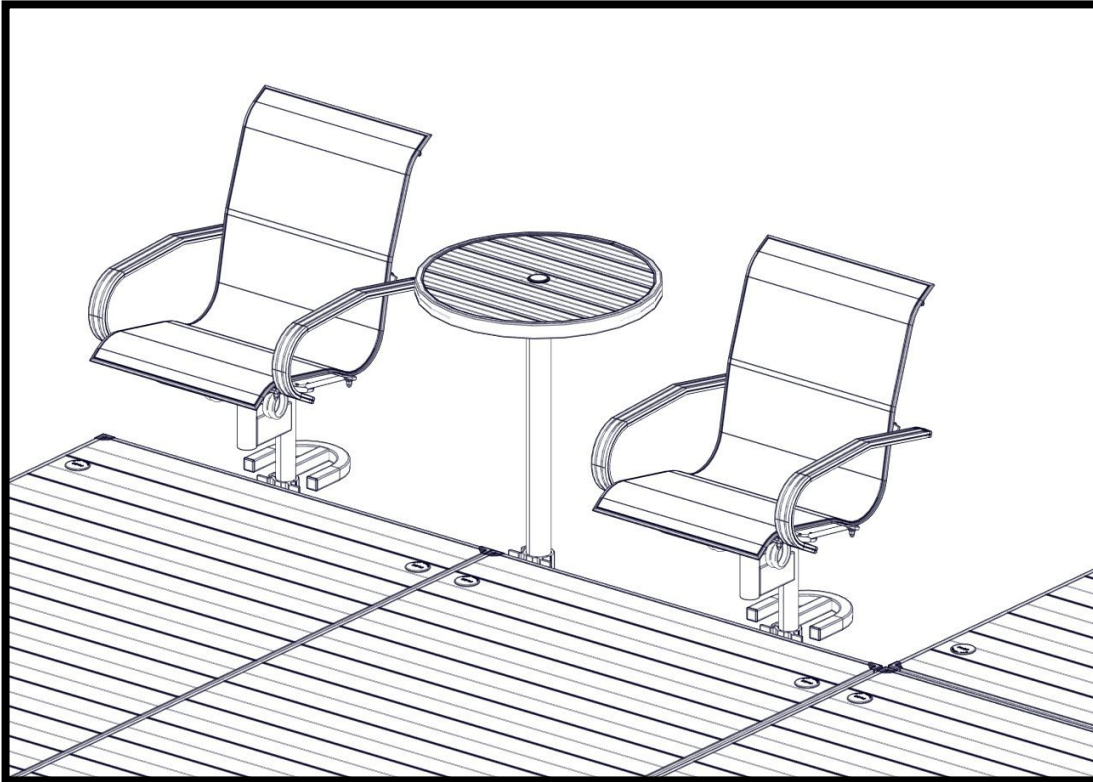
## ASSEMBLY INSTRUCTIONS

KIT P/N 510-00470-00 DOCK TABLE & CHAIRS

510-00471-00 DOCK CHAIRS

510-00472-00 DOCK TABLE

510-00435-00 UMBRELLA



\*DOCK SECTION & LEGS NOT INCLUDED

**! WARNING !**

**IT IS THE INSTALLER'S RESPONSIBILITY TO PROPERLY INSTALL**

THIS CHAIR IN A MANNER THAT IS SECURE AND WILL ENSURE THAT THE CHAIR WILL NOT TIP OVER, DISCONNECT OR DAMAGE THE DOCK SYSTEM WHEN IN USE. FAILURE TO DO SO MAY RESULT IN A SERIOUS INJURY OR POTENTIAL DEATH.

**NOTE:**

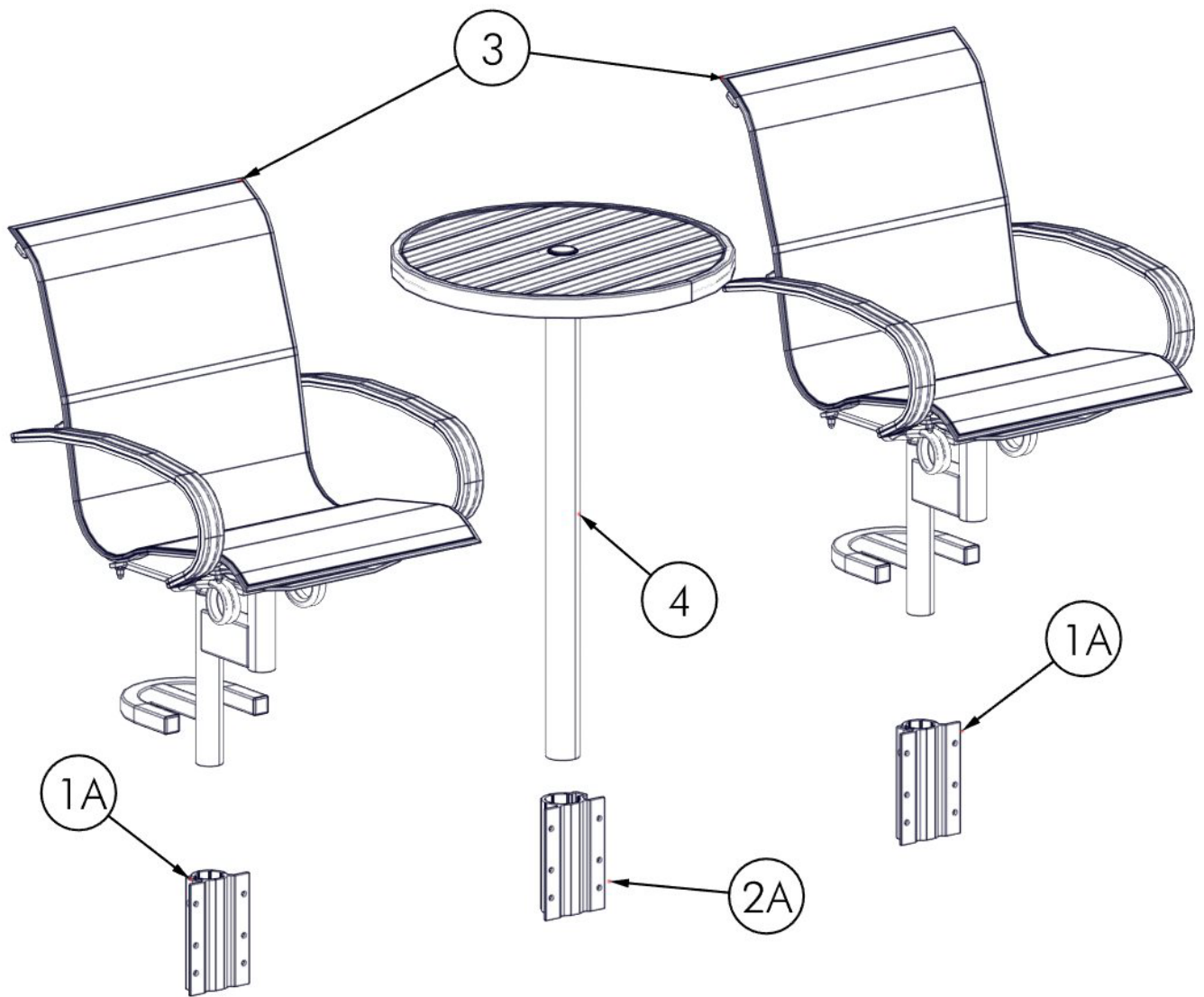
ACCESSORY ATTACHMENT KITS ARE SOLD SEPARATELY FOR EACH DOCK (STANDARD ROLL-IN, QUICK ATTACH ROLL-IN, STANDARD SECTIONAL, QUICK ATTACH SECTIONAL, AND FLOATING). REFER TO THE INSTRUCTIONS INCLUDED WITH THE KIT.

- TOOLS REQUIRED**
- 9/16" SOCKET/WRENCH
  - 3/4" SOCKET/WRENCH
  - TORQUE WRENCH
  - #2 PHILLIPS SCREWDRIVER

# BILL OF MATERIALS/EXPLODED VIEW

## KIT P/N 510-00470-00 DOCK TABLE & CHAIRS

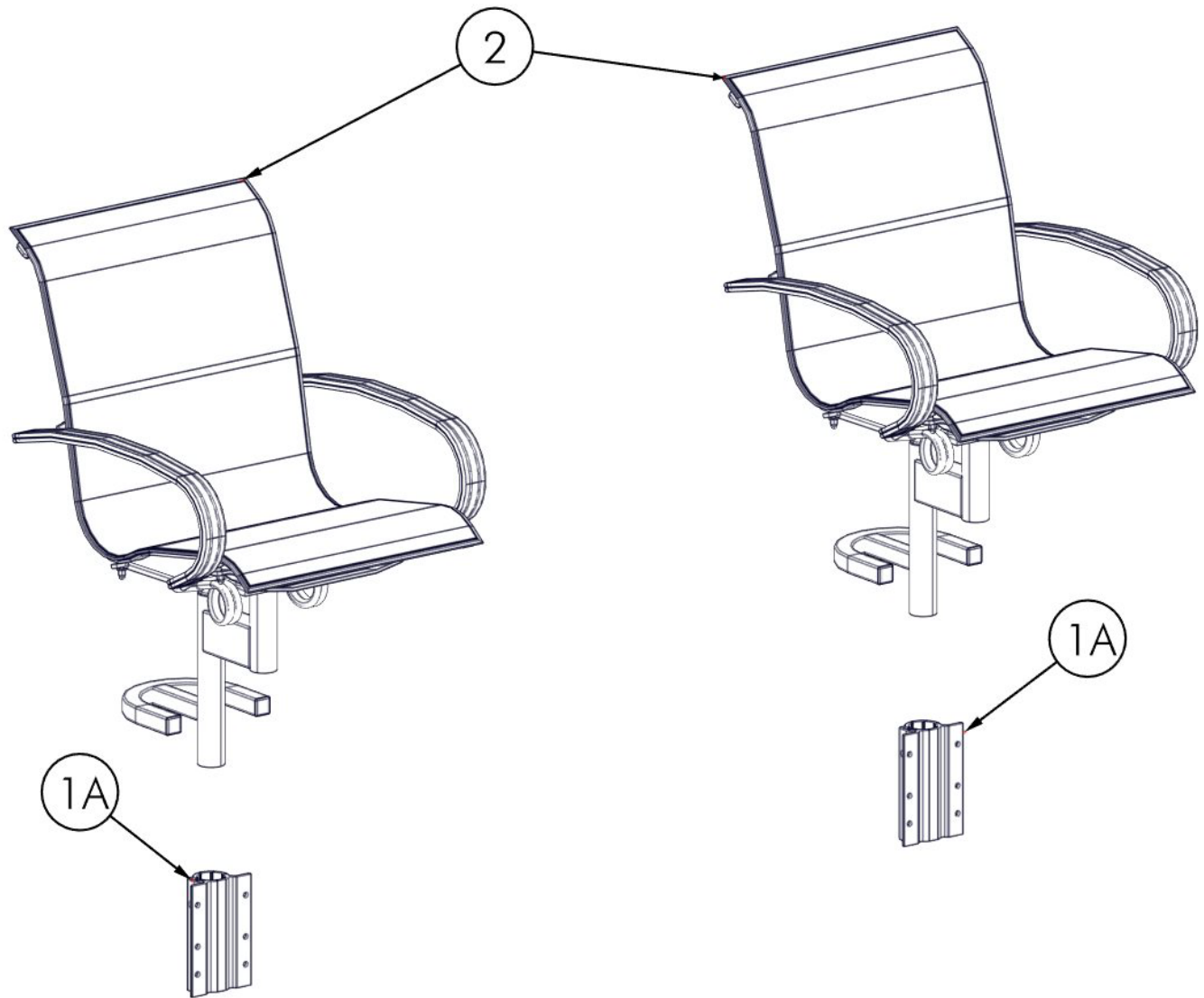
P/N 510-00470-00	FURNITURE, DOCK TABLE AND CHAIRS		
NUMBER	PART NUMBER	QTY.	DESCRIPTION
1	210-07019-00	1	POCKETS, CHAIR (2)
1A	002-07019-00	2	POCKET, CHAIR MOUNT
2	210-07020-00	1	POCKET, TABLE (1)
2A	002-07020-00	1	POCKET, TABLE MOUNT
3	310-00425-00	1 (PAIR)	KIT, DOCK CHAIRS (PAIR)
4	310-00430-00	1	KIT, DOCK TABLE



# BILL OF MATERIALS/EXPLODED VIEW

KIT P/N 510-00471-00 DOCK CHAIRS

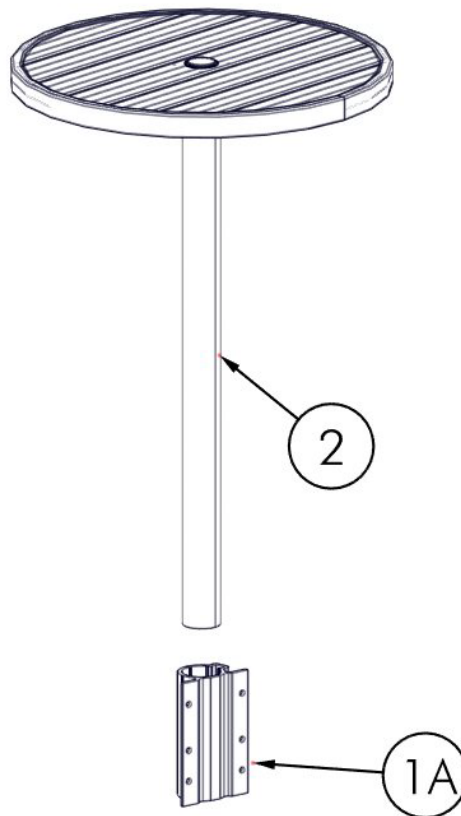
P/N 510-00471-00	CHAIRS, DOCK (PAIR) W/ POCKETS		
NUMBER	PART NUMBER	QTY.	DESCRIPTION
1	210-07019-00	1	POCKETS, CHAIR (2)
1A	002-07019-00	2	POCKET, CHAIR MOUNT
2	310-00425-00	1 (PAIR)	KIT, DOCK CHAIRS (PAIR)



# BILL OF MATERIALS/EXPLODED VIEW

KIT P/N 510-00472-00 DOCK TABLE

P/N 510-00472-00	TABLE, DOCK W/ POCKET		
<u>NUMBER</u>	<u>PART NUMBER</u>	<u>QTY.</u>	<u>DESCRIPTION</u>
1	210-07020-00	1	POCKET, TABLE (1)
1A	002-07020-00	1	POCKET, TABLE MOUNT
2	310-00430-00	1	KIT, DOCK TABLE

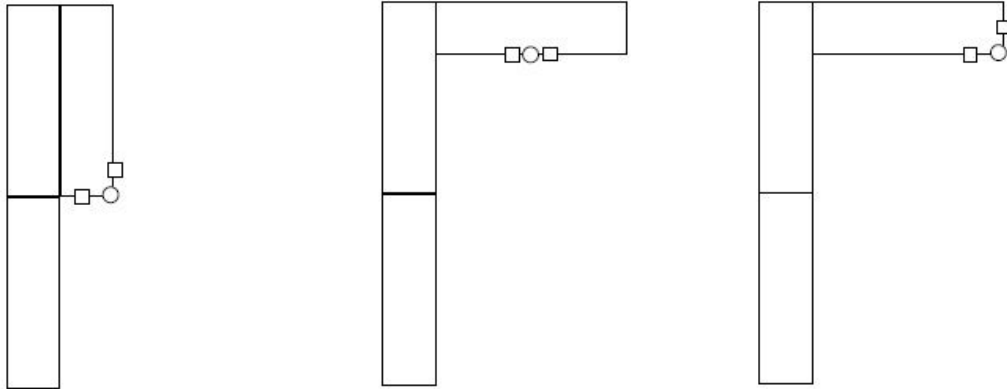


# RECOMMENDED INSTALLATION LAYOUTS

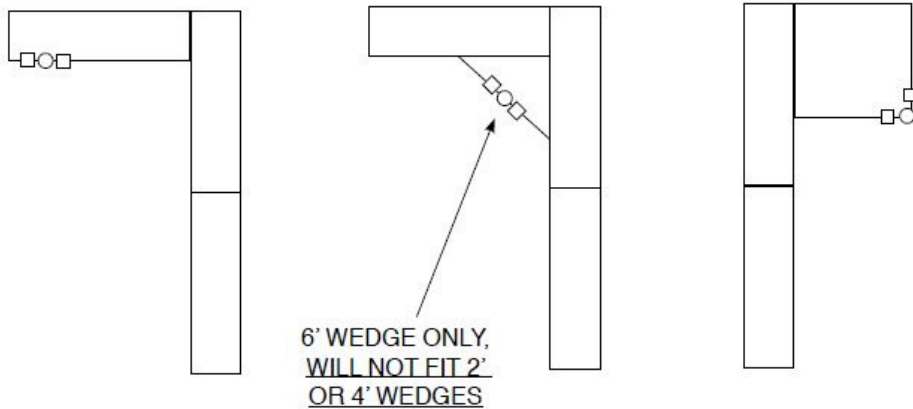
REFER TO THE IMAGES BELOW FOR THE TYPE OF DOCK YOU ARE INSTALLING THE FURNITURE ON TO DETERMINE WHICH LAYOUT IS BEST FOR YOUR CONFIGURATION. **NOTE: THERE ARE SEVERAL CONFIGURATIONS THAT ARE NOT RECOMMENDED.**

**WARNING: ENSURE THAT SAFETY QUICK CONNECTS ARE USED ON ROLL-IN AND SECTIONAL DOCKS SO THE DOCK SECTIONS DO NOT SEPARATE**

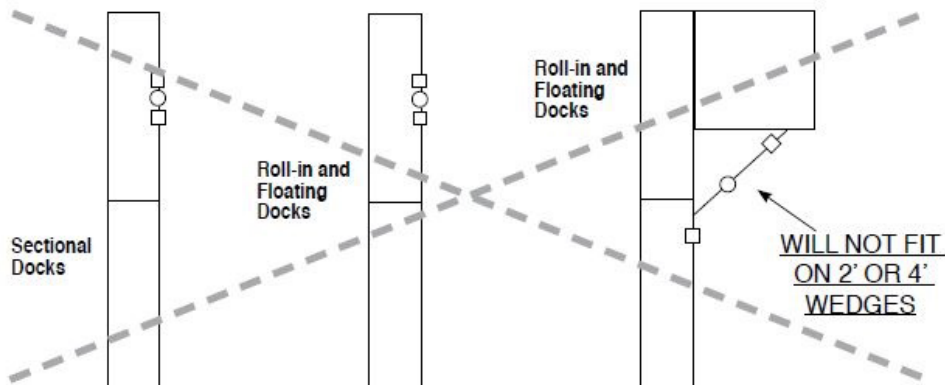
## RECOMMENDED SAMPLE SECTIONAL DOCK LAYOUTS



## RECOMMENDED SAMPLE FLOATING AND ROLL-IN LAYOUTS

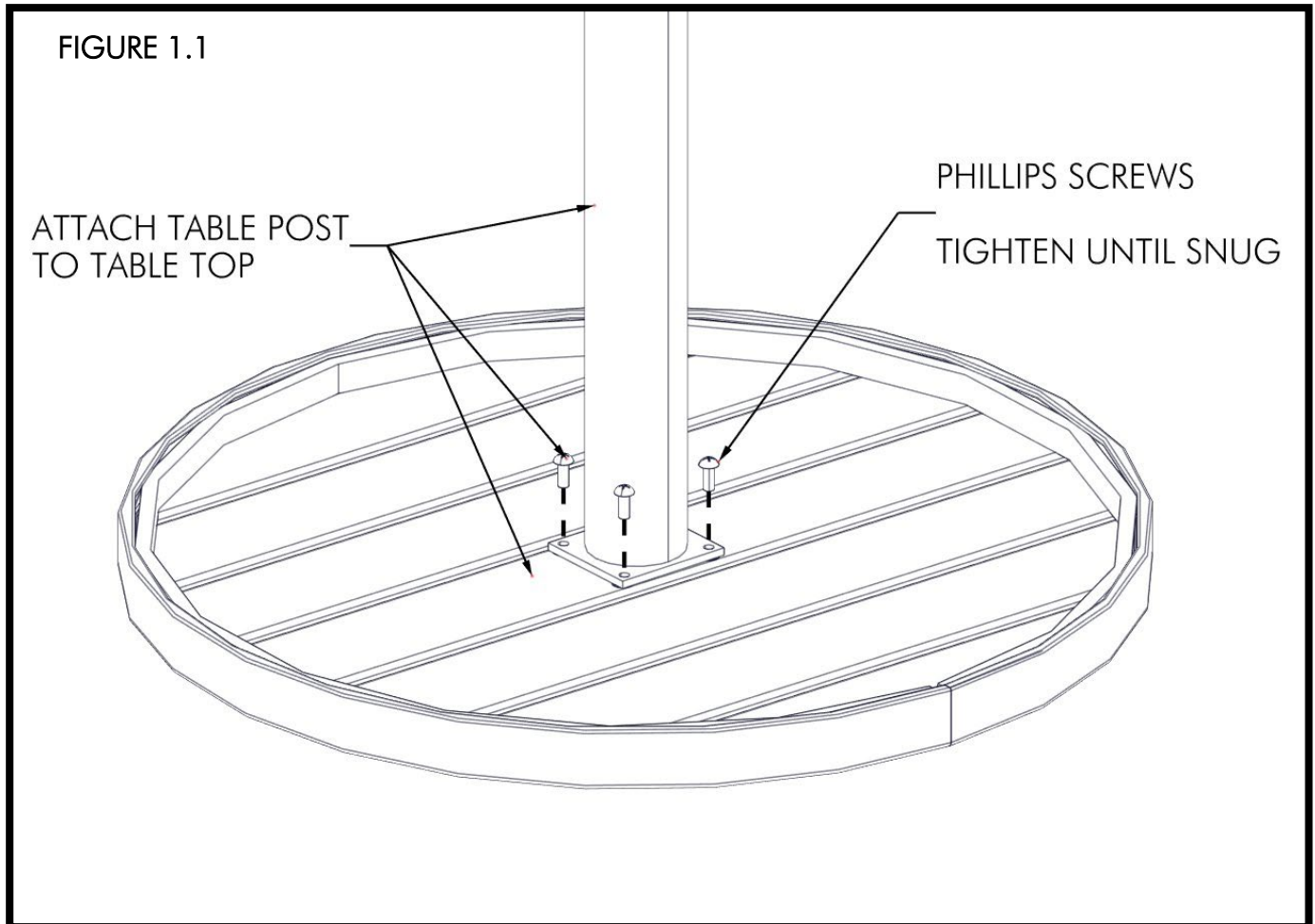


## NOT RECOMMENDED LAYOUT FOR FLOATING, ROLL-IN OR SECTIONALS



## **DOCK TABLE ASSEMBLY**

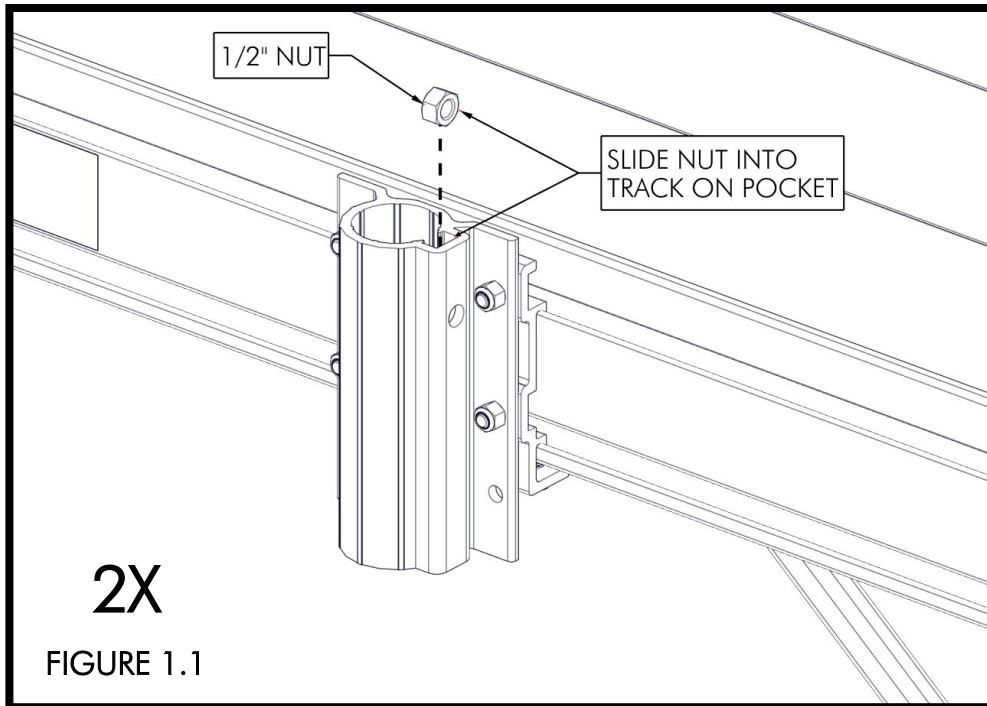
WHILE KEEPING THE PACKAGING ON THE TABLE TOP TO PROTECT FROM DAMAGE, PLACE THE TABLE TOP FACE DOWN AND ATTACH THE TABLE POST USING THE (4) INCLUDED PHILLIPS SCREWS. TIGHTEN UNTIL SNUG (FIGURE 1.1). REMOVE PACKAGING.



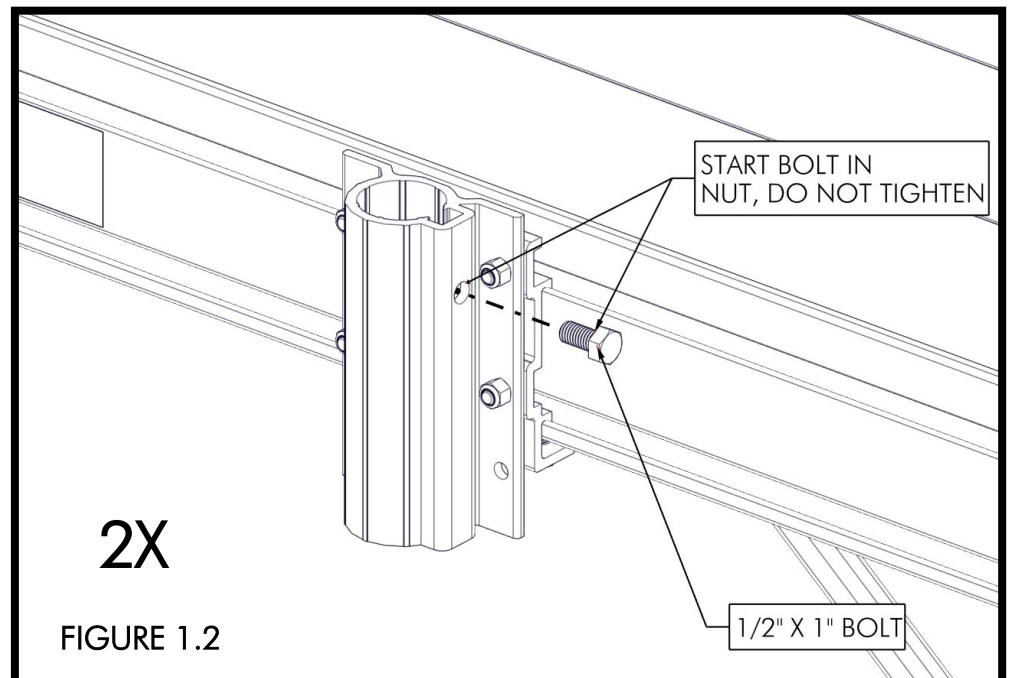
## DOCK CHAIR INSTALLATION

FOLLOW THE INSTRUCTIONS INCLUDED WITH THE ATTACHMENT KIT FOR YOUR TYPE OF DOCK (STANDARD ROLL-IN, QUICK ATTACH ROLL-IN, STANDARD SECTIONAL, QUICK ATTACH SECTIONAL, OR FLOATING) ON INSTALLATION OF THE CHAIR AND TABLE POCKETS. HARDWARE AND BRACKETS ARE INCLUDED WITH THE ATTACHMENT KITS. POCKETS ARE INCLUDED WITH THE FURNITURE KITS. FOR THESE INSTRUCTIONS, A QUICK ATTACH SECTIONAL DOCK IS SHOWN.

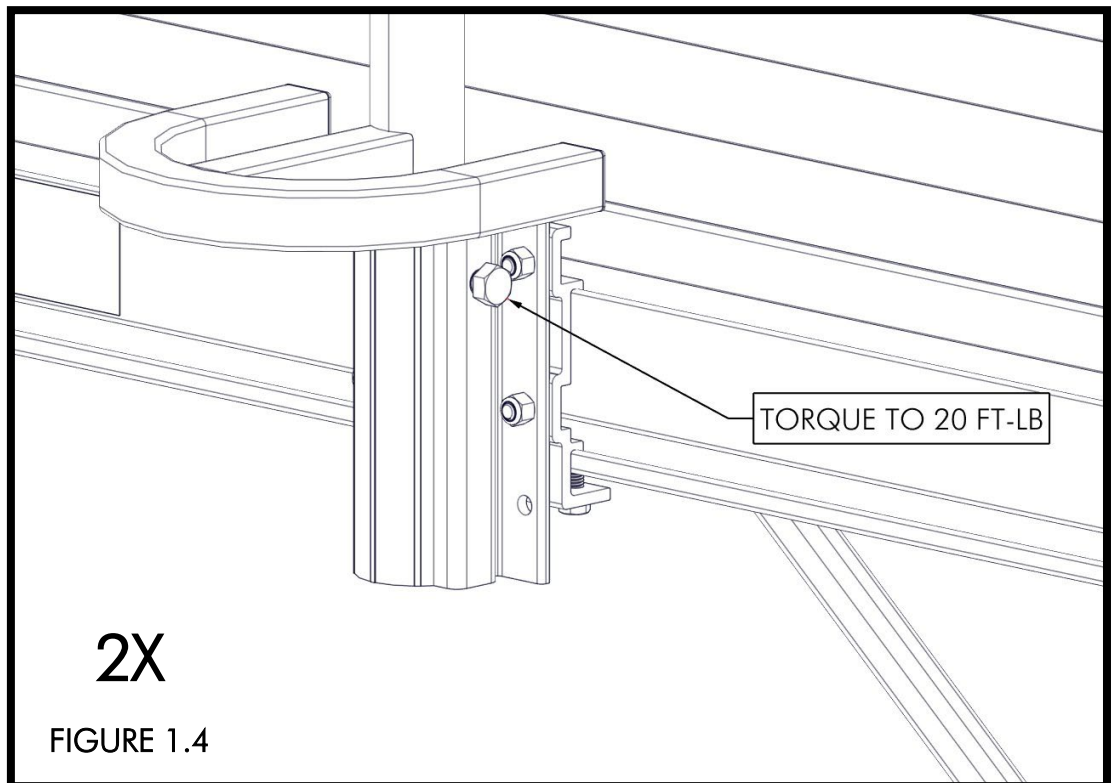
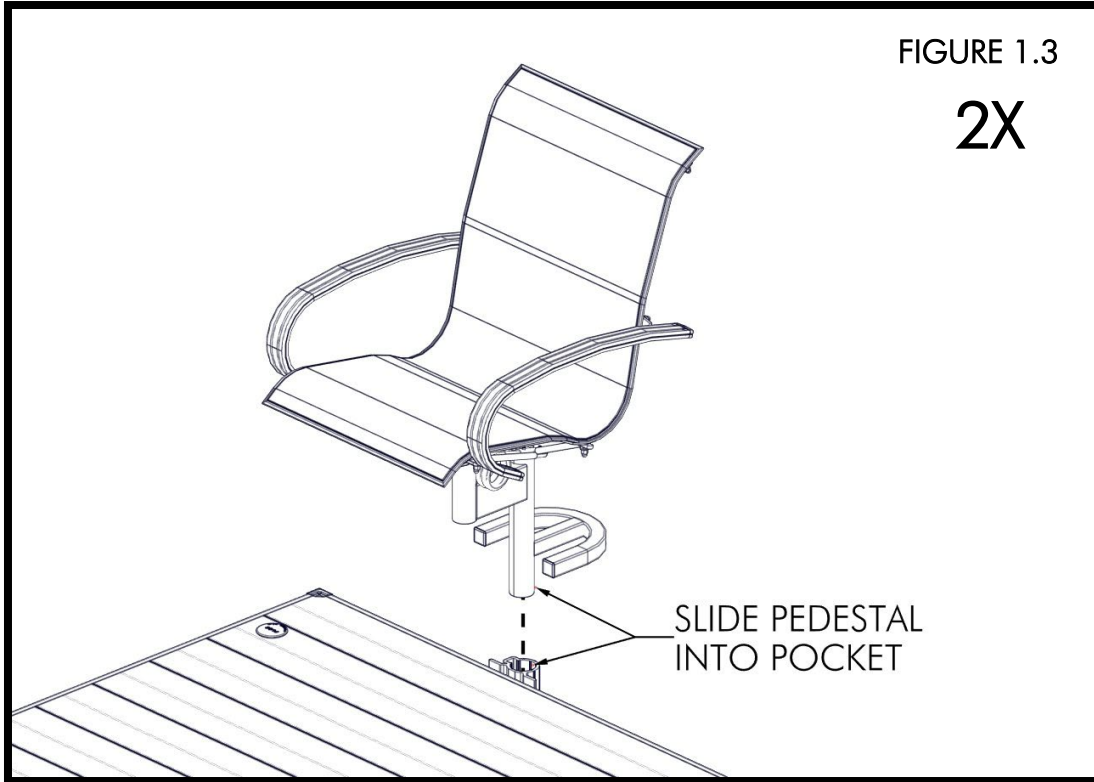
INSERT A 1/2" NUT INTO THE TRACK ON EACH CHAIR POCKET (FIGURE 1.1) AND START A 1/2" X 1" BOLT INTO THE NUT. DO NOT TIGHTEN AT THIS TIME (FIGURE 1.2).



**NOTE:**  
IF THE TABLE WILL NOT BE INSTALLED, THE CHAIR POCKETS MUST BE INSTALLED A MINIMUM OF 30" APART



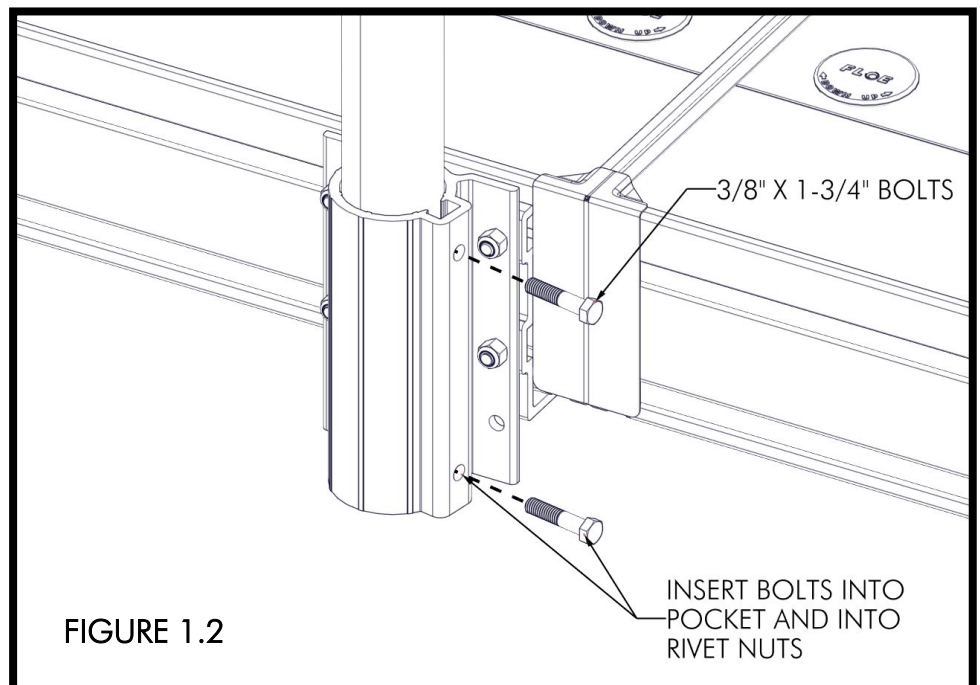
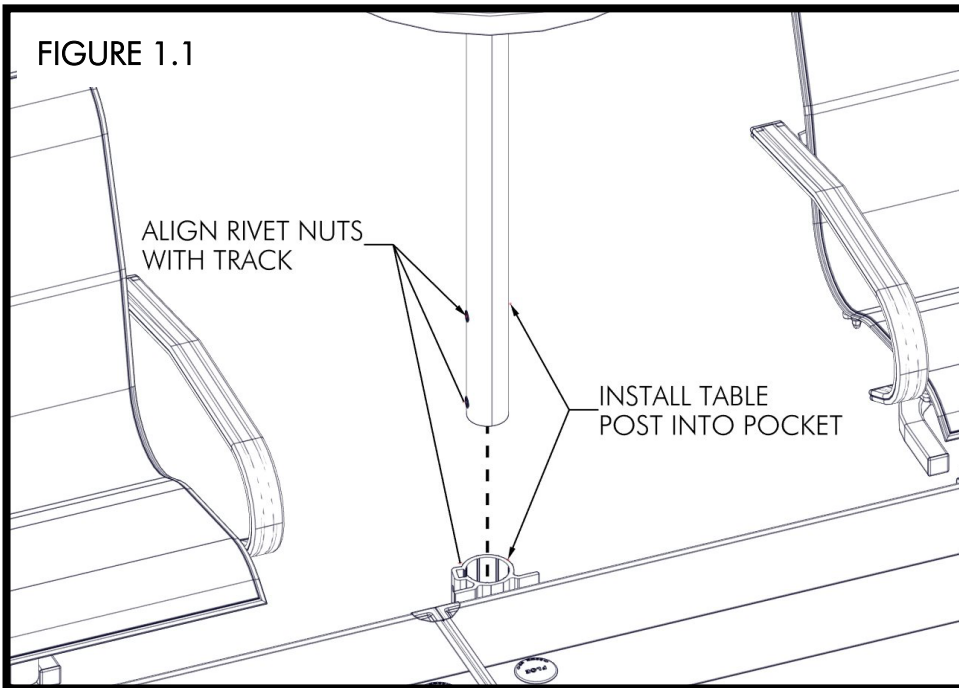
INSERT THE CHAIR'S PEDESTAL INTO EACH OF THE CHAIR POCKETS IN THE ORIENTATION SHOWN (FIGURE 1.2). TORQUE BOLT TO 20 FT-LB (FIGURE 1.3).



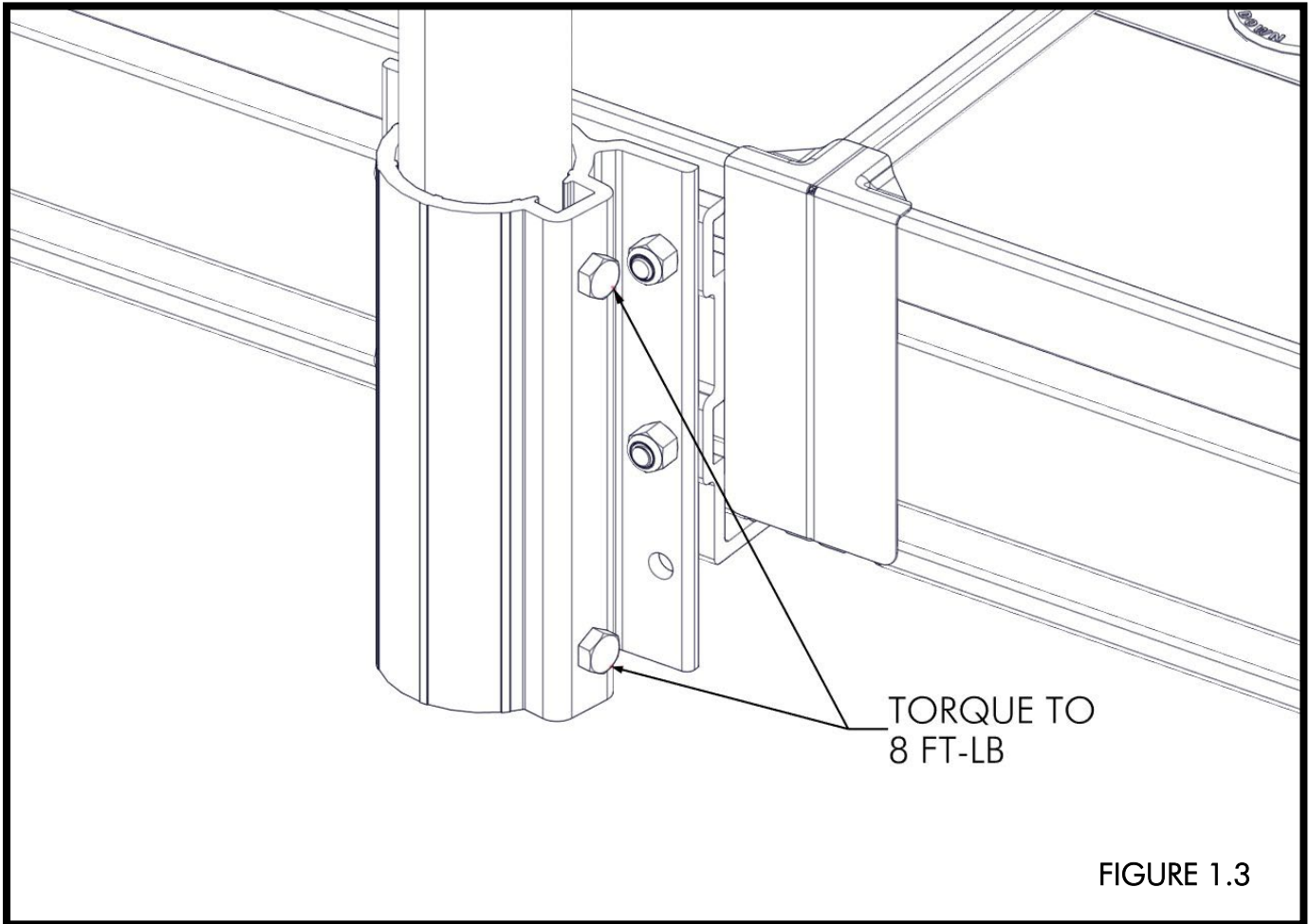
## DOCK TABLE INSTALLATION

FOLLOW THE INSTRUCTIONS INCLUDED WITH THE ATTACHMENT KIT FOR YOUR TYPE OF DOCK (STANDARD ROLL-IN, QUICK ATTACH ROLL-IN, STANDARD SECTIONAL, QUICK ATTACH SECTIONAL, OR FLOATING) ON INSTALLATION OF THE CHAIR AND TABLE POCKETS. FOR THESE INSTRUCTIONS, A QUICK ATTACH SECTIONAL DOCK IS SHOWN.

INSERT THE TABLE POST INTO THE TABLE POCKET (FIGURE 1.1). ATTACH THE POST USING (2) 3/8" X 1-3/4" BOLTS BY INSERTING THEM THROUGH THE MOUNTING HOLES ON THE POCKET AND INTO THE RIVET NUTS ON THE TABLE POST (FIGURE 1.2).



TORQUE BOLTS TO 8 FT-LB. NOTE: IF INSTALLING AN UMBRELLA (SOLD SEPARATELY), DO NOT INSTALL THE TOP BOLT AT THIS TIME (FIGURE 1.2).



## **UMBRELLA INSTALLATION (SOLD SEPARATELY, P/N 510-00435-00)**

WITH THE CAP REMOVED FROM THE TABLE TOP, INSERT THE UMBRELLA POST INTO THE HOLE IN THE TABLE TOP (FIGURE 1.1). SLIDE THE UMBRELLA POST DOWN UNTIL THE BOTTOM CONTACTS THE TABLE POST MOUNTING BOLT (FIGURE 1.2).

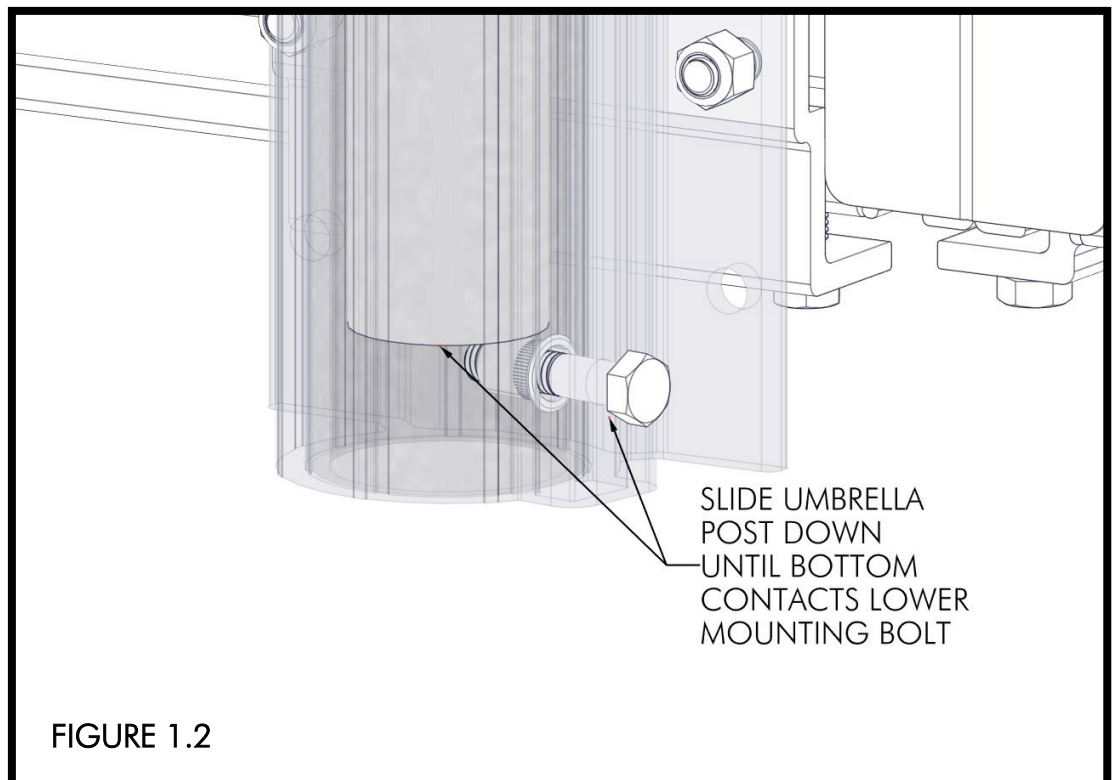
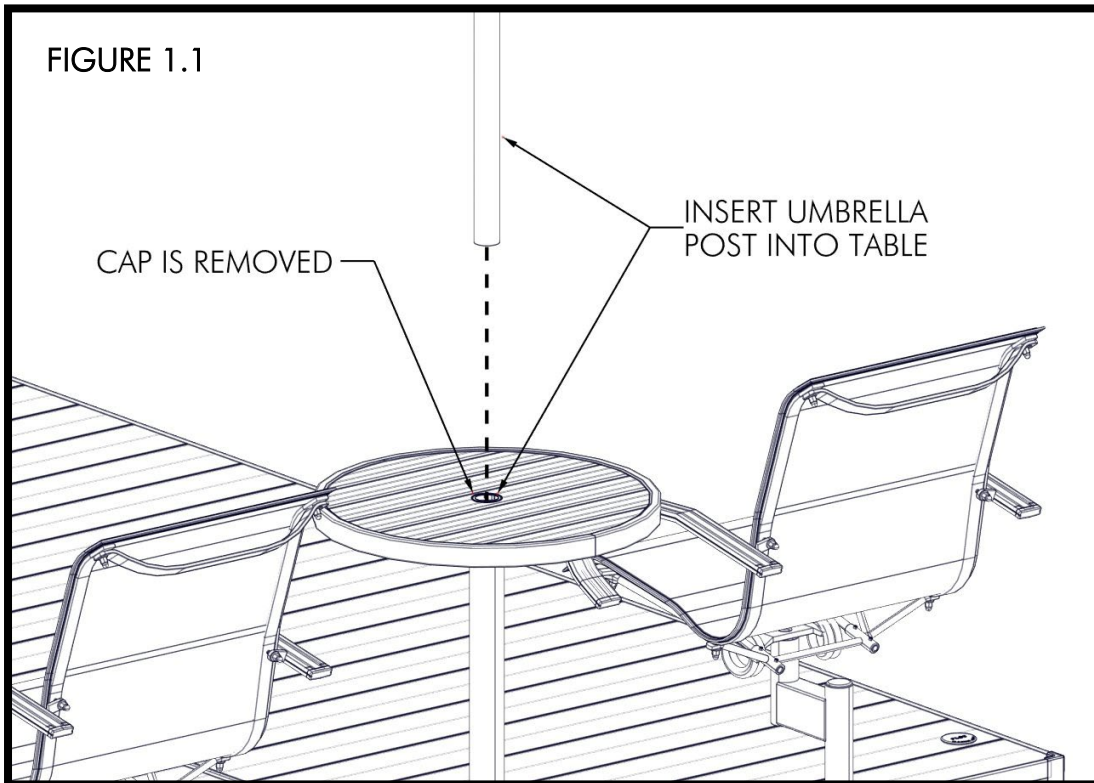
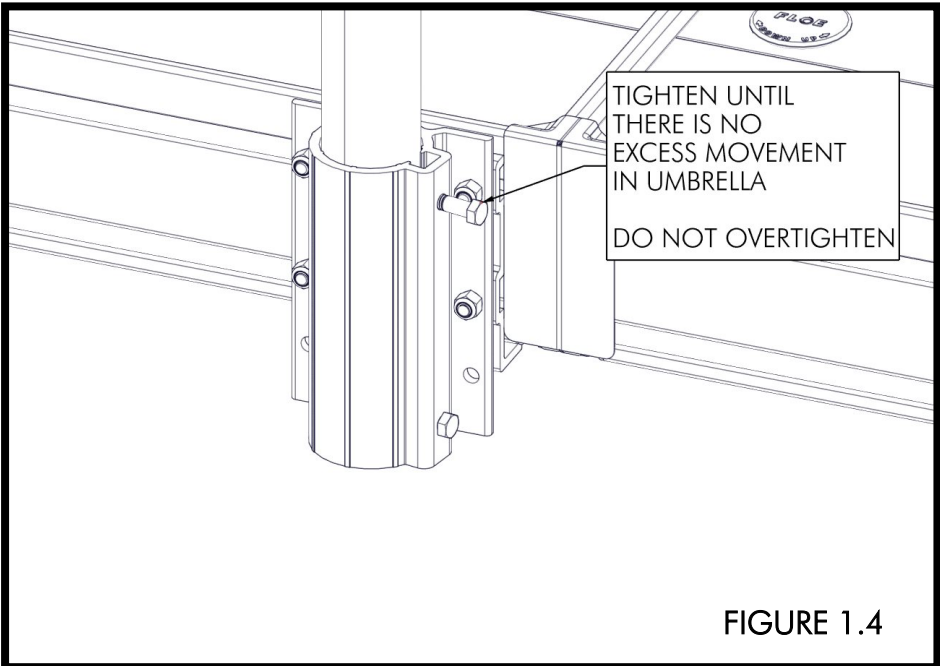
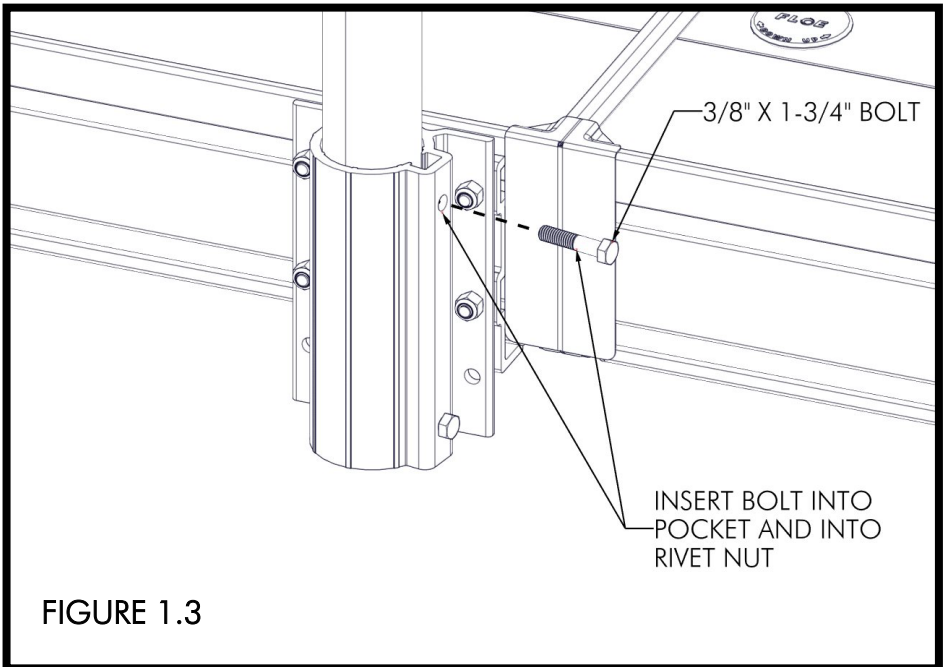


FIGURE 1.2

THEN, INSTALL A 3/8" X 1-3/4" BOLT INTO THE MOUNTING HOLE AND INTO THE RIVET NUT ON THE TABLE POST (FIGURE 1.3). TIGHTEN UNTIL THERE IS NO EXCESS MOVEMENT IN THE UMBRELLA POST. DO NOT OVERTIGHTEN, AS YOU CAN CRUSH THE UMBRELLA POST (FIGURE 1.4).



**⚠ WARNING**

**UMBRELLA POST MUST BE SECURED WITH BOLT INSIDE TABLE MOUNTING BRACKET OR A STRONG WIND COULD LIFT THE UMBRELLA OUT OF THE BRACKET CAUSING INJURY.**

**NOTE:**

**DO NOT LEAVE UMBRELLA OPEN IN WINDY CONDITIONS**