

FLOE DELUXE SALT SHIELD

ASSEMBLY INSTRUCTIONS



1. Measure from the front of the trailer back 30 1/2" and drill a 1/2" hole just under the lip on the trailer side panel on both sides. See fig. 1.

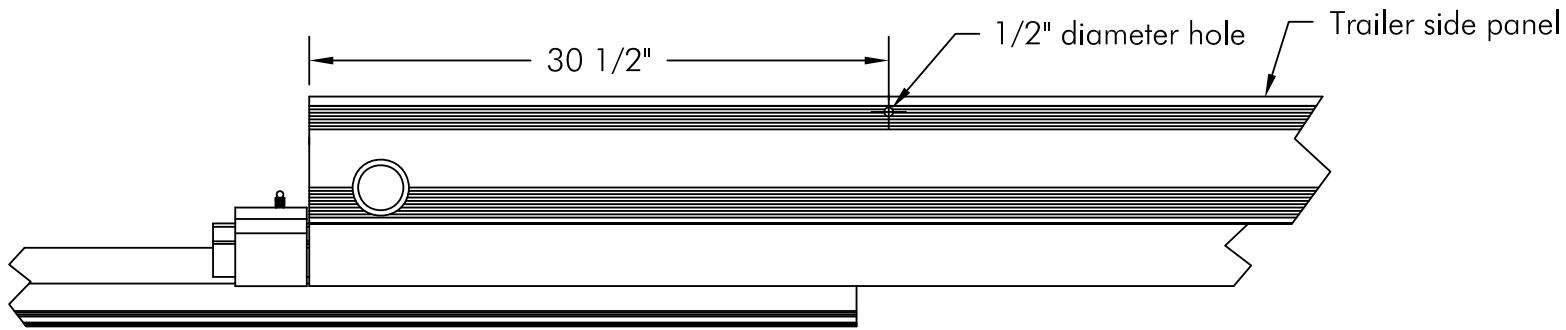


Fig. 1

2. Place the salt shield on the front of the trailer. If necessary, adjust the front brackets to match your trailer width by loosening the 1/4" nuts on the inside of the salt shield as shown in fig. 2. Once the front brackets are adjusted re-tighten the nuts. Torque to 20 ft./lbs.

3. Stretch rubber straps and insert the "S" hook into hole in trailer side panels. See fig. 3.

Loosen nuts on inside and adjust front bracket side to side to fit trailer.

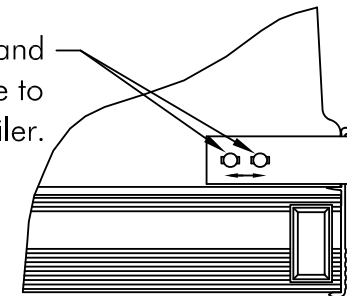


Fig. 2
Front View

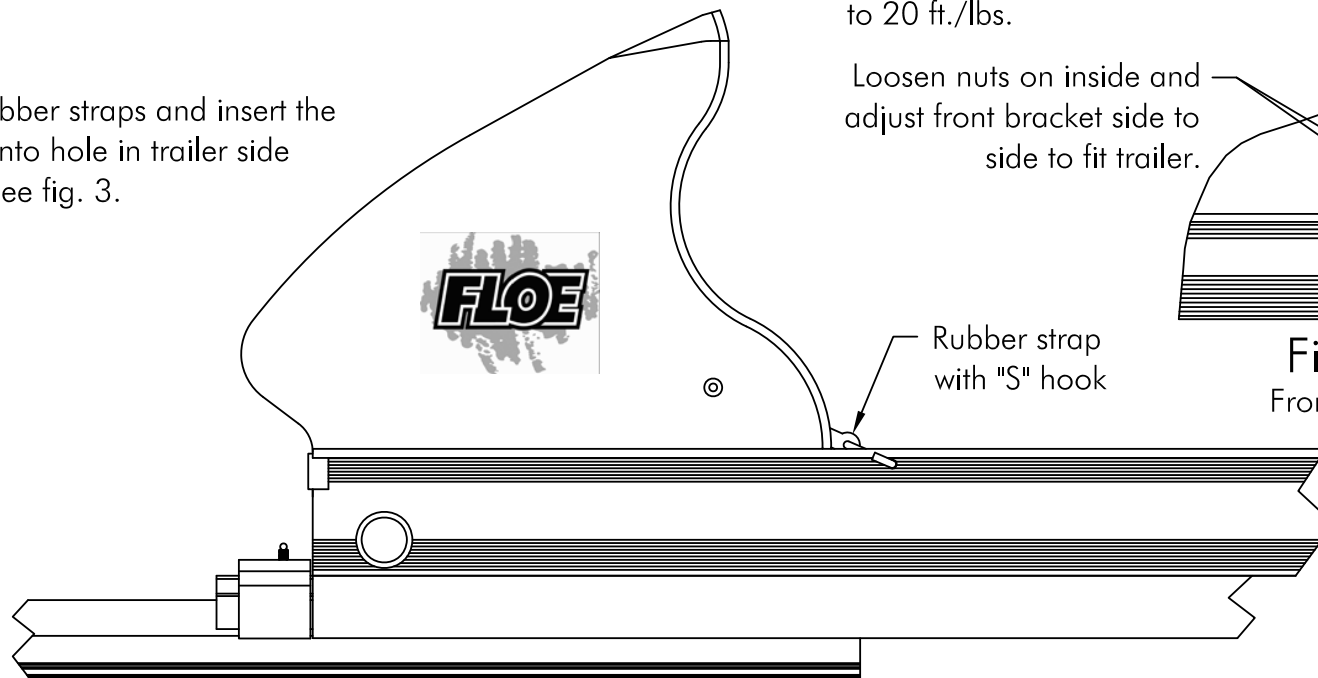


Fig. 3