

FLOE P-1200 & P-1600 FULL LENGTH PVC BUNK SYSTEM

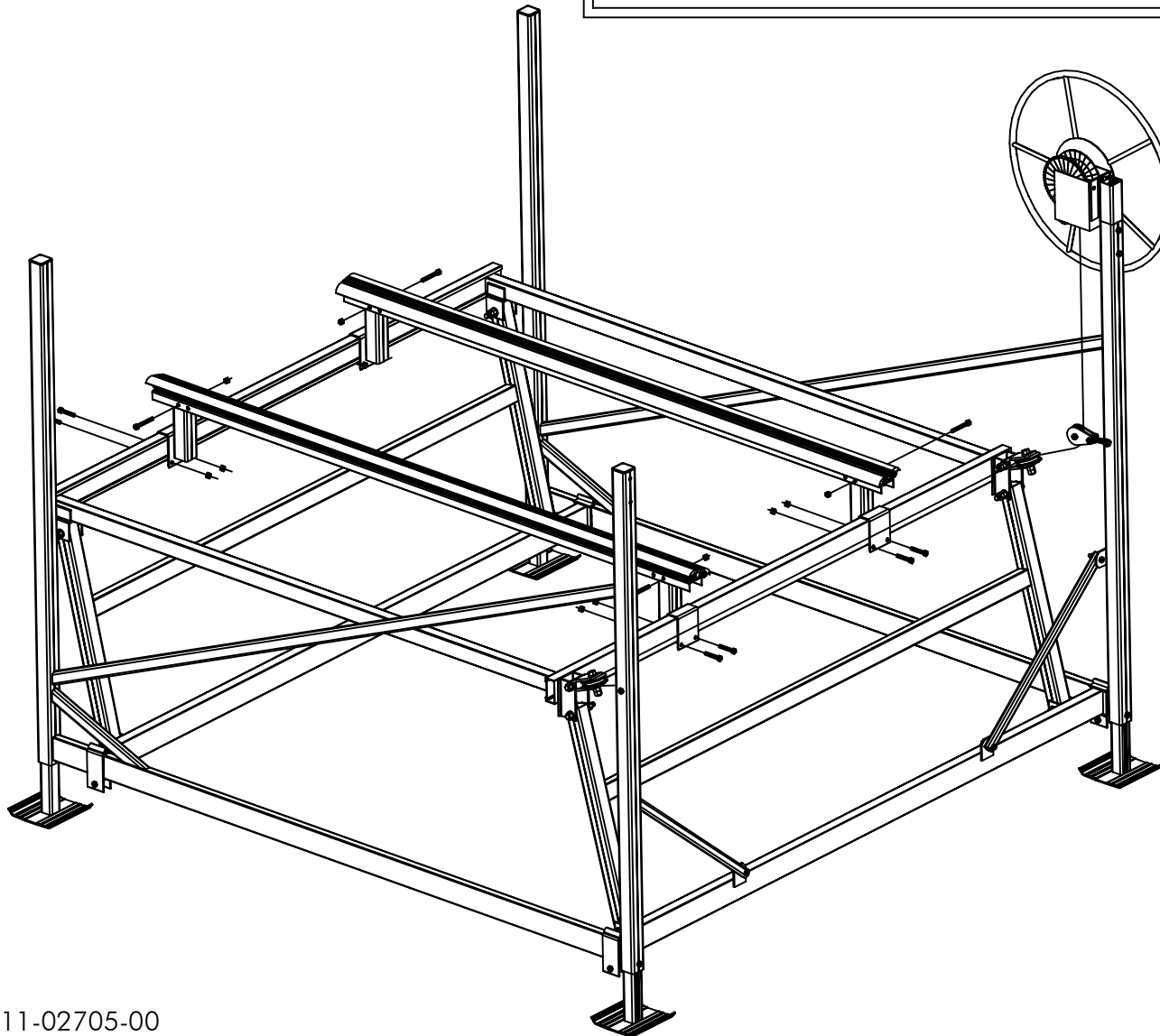
ASSEMBLY INSTRUCTIONS

P/N 511-02705-00



BUNK/CRADLE PAD DISCLAIMER

**DUE TO THE LARGE VARIETY OF BOAT HULL DESIGNS,
WE STRONGLY RECOMMEND THAT YOU CONSULT WITH YOUR
BOAT'S MANUFACTURER TO ENSURE THAT YOU ARE SUPPORTING
YOUR BOAT PROPERLY TO AVOID ANY POTENTIAL DAMAGE.**

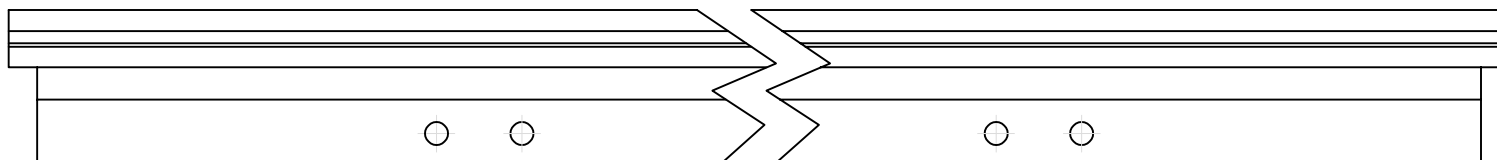
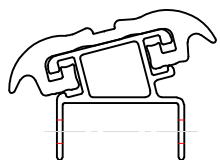
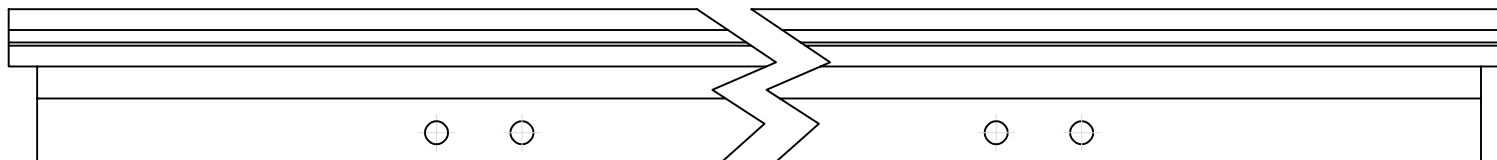
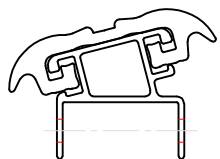


TOOLS REQUIRED
(2) 9/16" SOCKETS OR
WRENCHES
TORQUE WRENCH

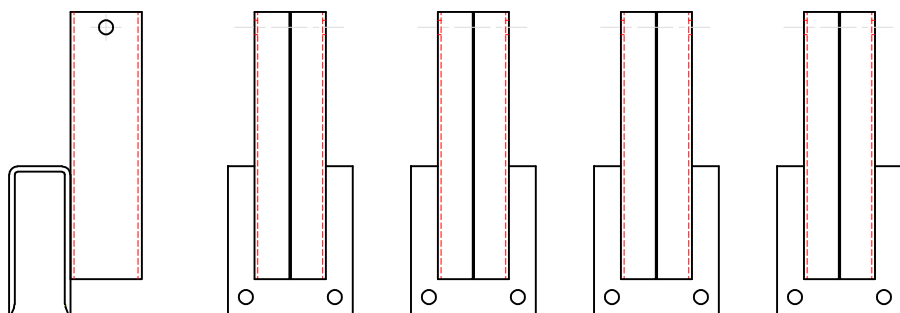
FLOE P-1200 & P-1600 FULL LENGTH PVC BUNK SYSTEM

PARTS LIST

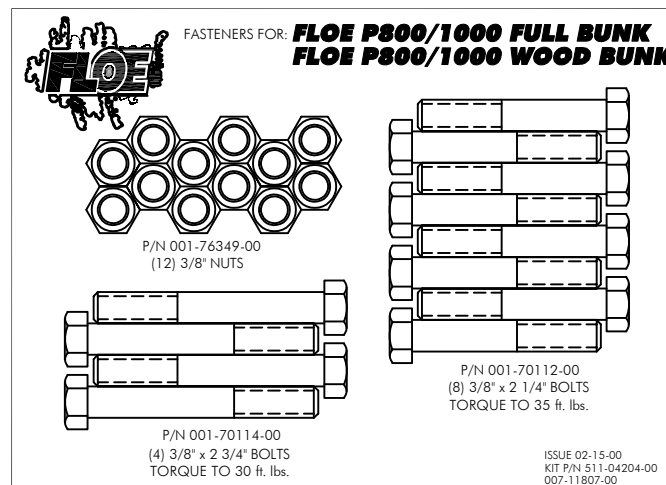
P/N 511-02705-00



(2) 82" FULL LENGTH BUNKS w/PVC - P/N 111-10011-00



(4) CRADLE CLAMPS - P/N 111-00039-00



(1) FASTENER KIT - P800/1300 FULL BUNK

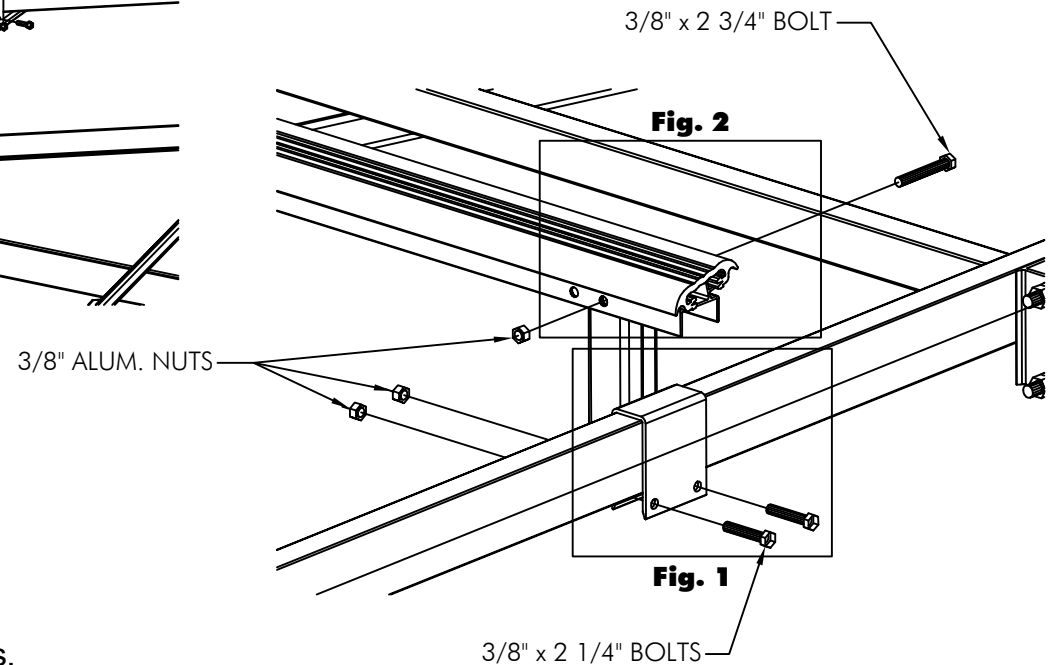
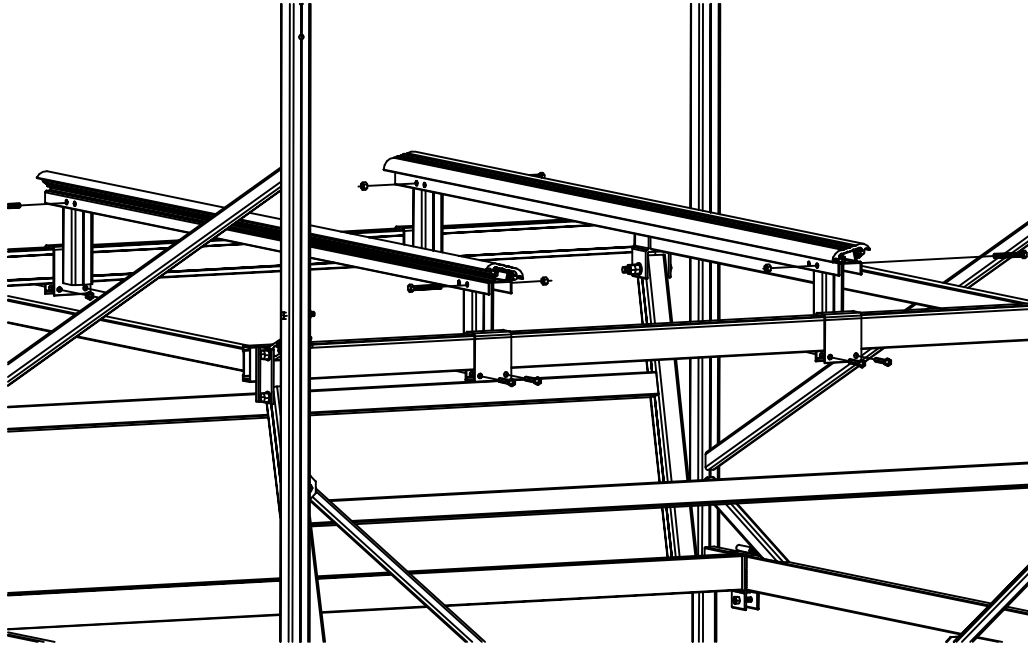
FLOE P-1200 & P-1600 FULL LENGTH PVC BUNK SYSTEM

ASSEMBLY INSTRUCTIONS

P/N 511-02705-00

Step 1 Place bunk clamp on cradle beam and fasten with (2) 3/8" x 2 1/4" bolts and aluminum nuts. See Fig. 1

Step 2 Attach bunk to the tube using a 3/8" x 2 3/4" bolt and aluminum nut. Bunks should slant toward the middle of lift. See Fig. 2



Important Note:

The lift should be installed with 6" of water above the top of the bunks while the lift is in the lowered position. This will provide adequate clearance for launching and docking of your watercraft and also help prevent float off in the raised position during high wave conditions.