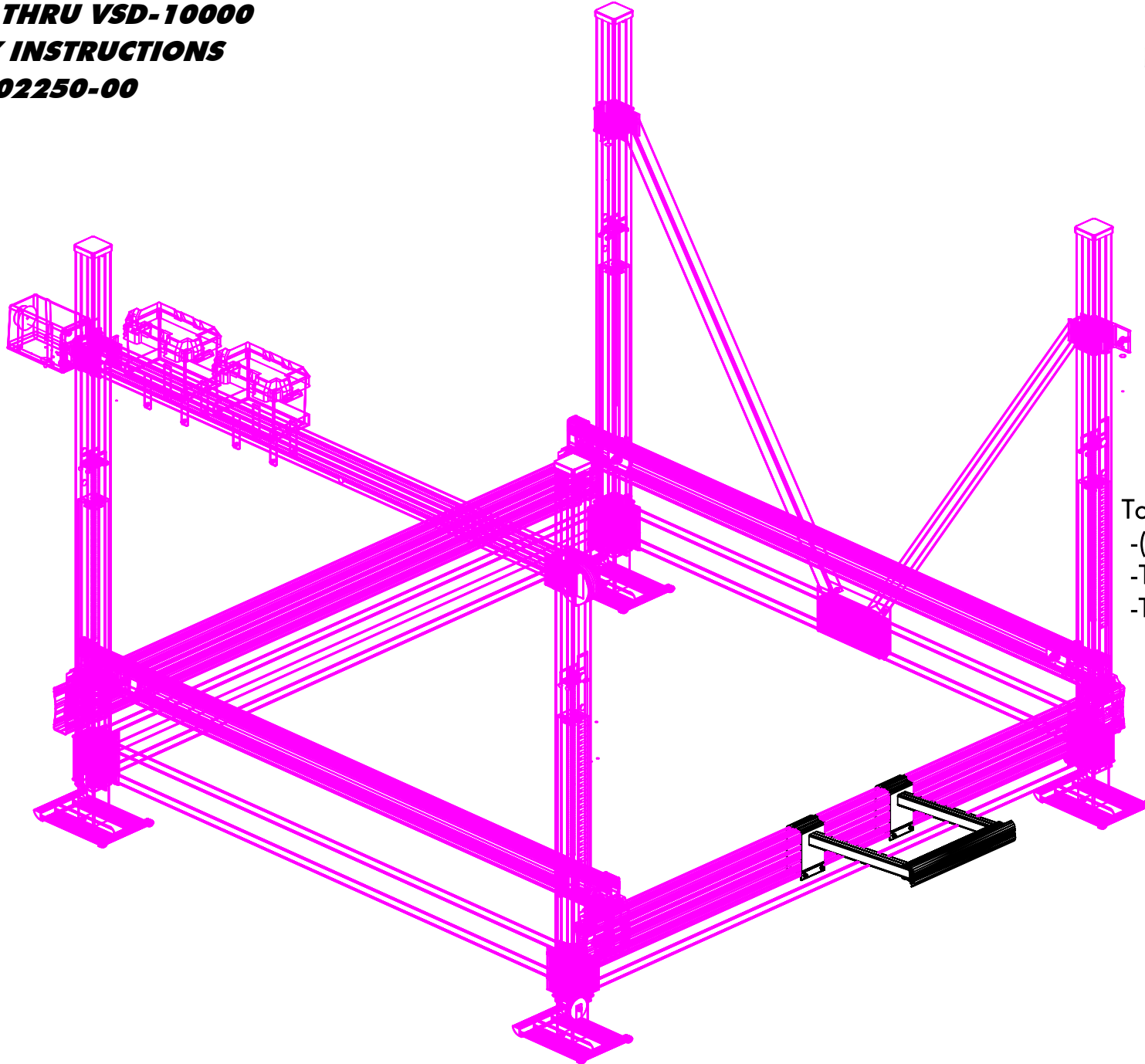


FLOE MOTOR STOP

VSD-6000 THRU VSD-10000

ASSEMBLY INSTRUCTIONS

P/N: 511-02250-00



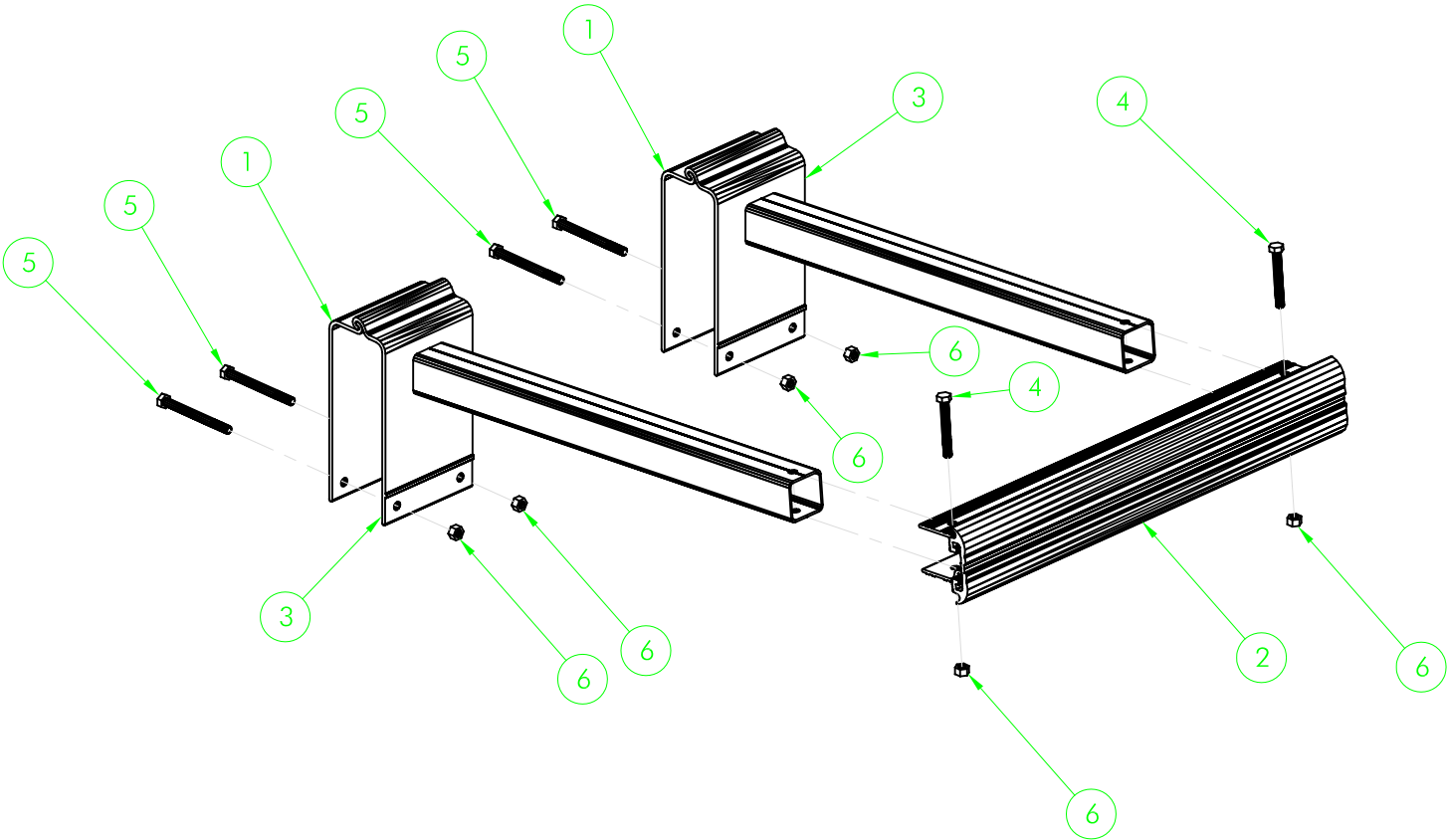
Tools Required

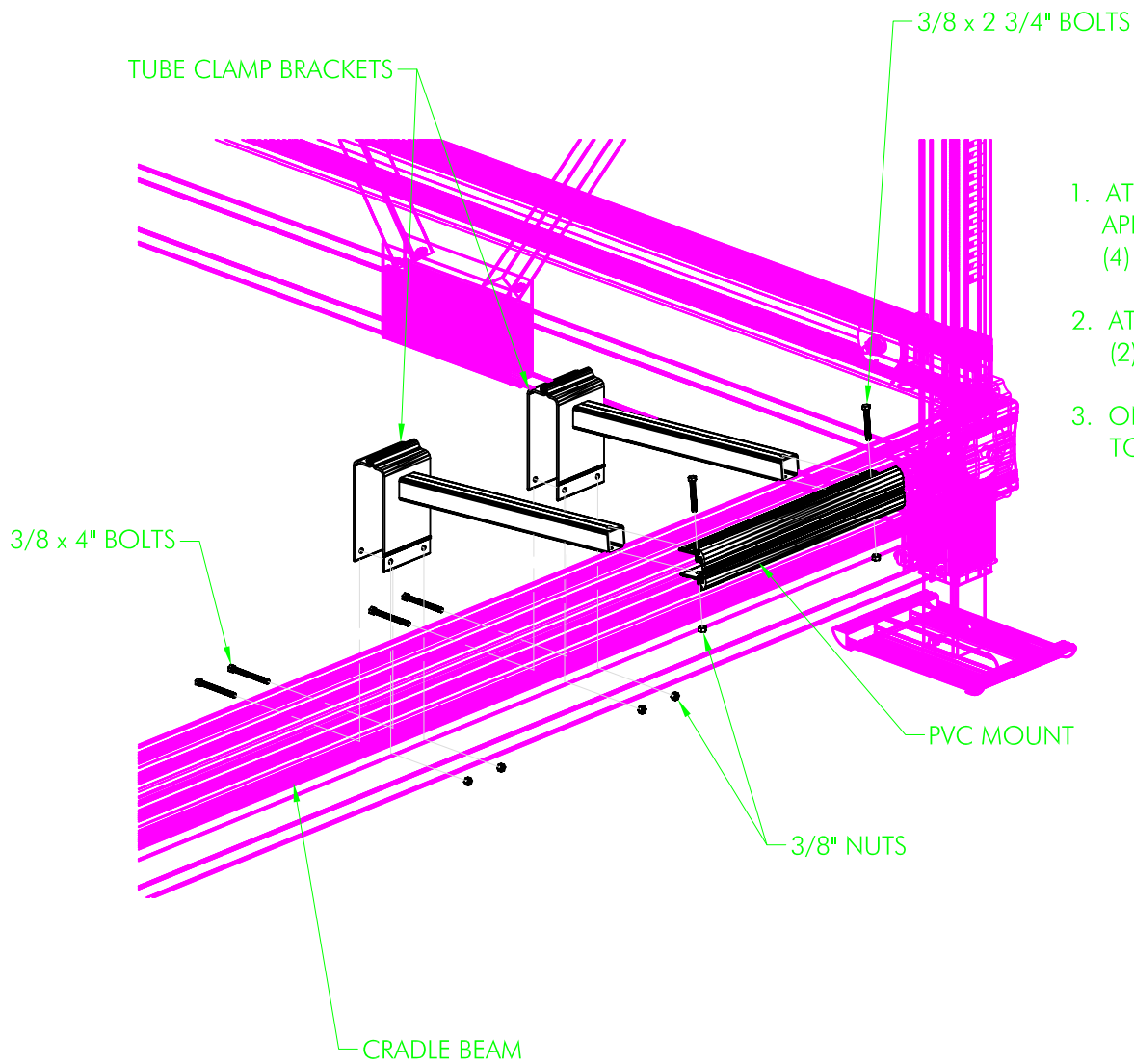
- (2) 9/16" Sockets/Wrenches
- Tape Measure
- Torque Wrench

MOTOR STOP EXPLODED VIEW

P/N: 511-02250-00

ITEM	QUANTITY	PART NO.	DESCRIPTION
1	2	002-04285-00	CLAMP, BUNK CRADLE (MALE)
2	1	111-00167-00	ASS'Y MOTOR STOP - PVC MOUNT
3	2	111-00211-00	WELDMENT, CLAMP - MOTOR STOP
4	2	001-70114-00	HHCS, 3/8-16 x 2 3/4" 18-8 SS
5	4	001-70119-00	HHCS, 3/8-16 x 4" 18-8 SS
6	6	001-76349-00	NUT, 3/8-16 ALUMINUM





1. ATTACH THE TUBE CLAMP BRACKETS TO THE CRADLE BEAM, SPACED AT APPROXIMATELY 15 1/2" APART, USING THE (4) HHCS, 3/8-16 x 4" AND (4) 3/8" NUTS. HAND TIGHTEN ONLY.
2. ATTACH THE PVC MOUNT TO THE CLAMP BRACKETS AS SHOWN USING (2) HHCS, 3/8-16 x 2 3/4" AND (2) 3/8" NUTS. TORQUE TO 25 FT./ LBS.
3. ONCE YOU HAVE PLACED THE BRACKET IN THEIR FINAL LOCATION, TORQUE TO 35 FT. / LBS.