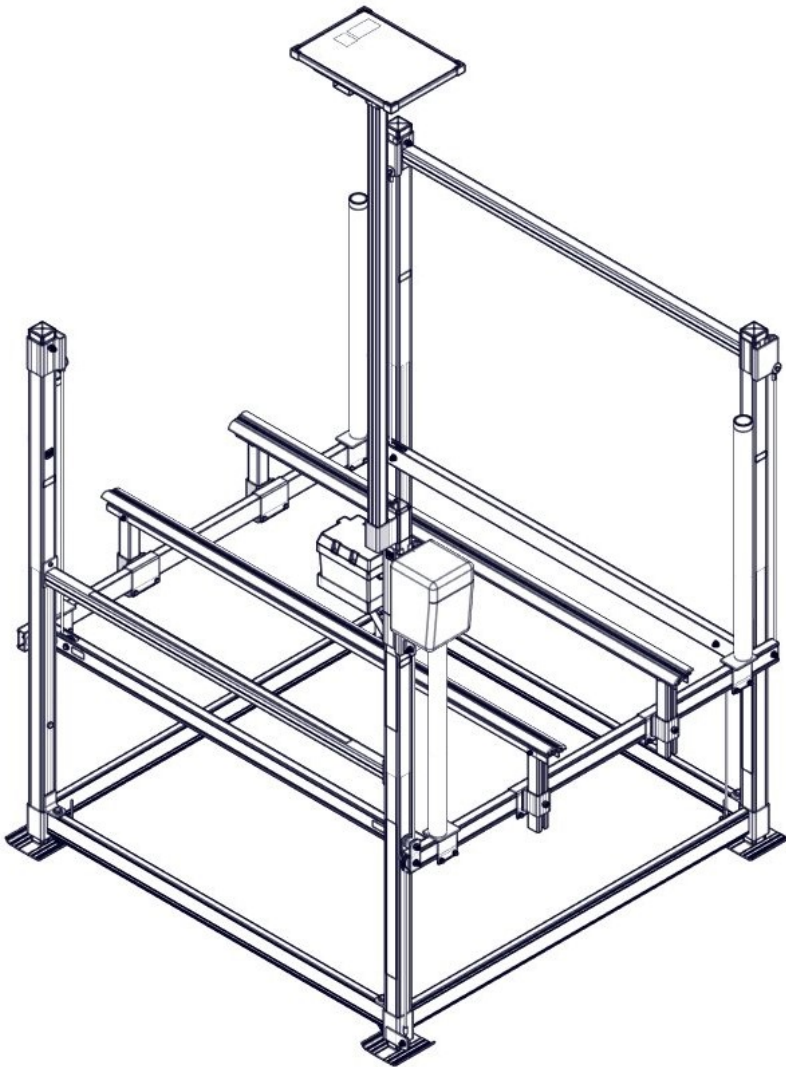


FLOE SOLAR PANEL MAST CLAMP V1600 PWC

ASSEMBLY INSTRUCTIONS

KIT P/N 511-01359-00



TOOLS REQUIRED
-9/16" SOCKET/WRENCH
-3/4" SOCKET/WRENCH
-TORQUE WRENCH
-TAPE MEASURE

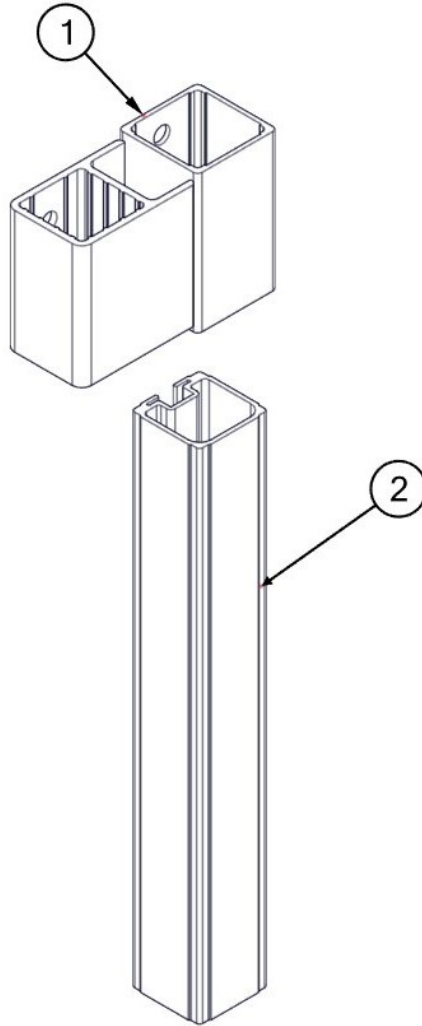
*LIFT & SOLAR PANEL KIT NOT INCLUDED

NOTE:

REQUIRES 511-01356-00 (SOLD SEPARATELY)

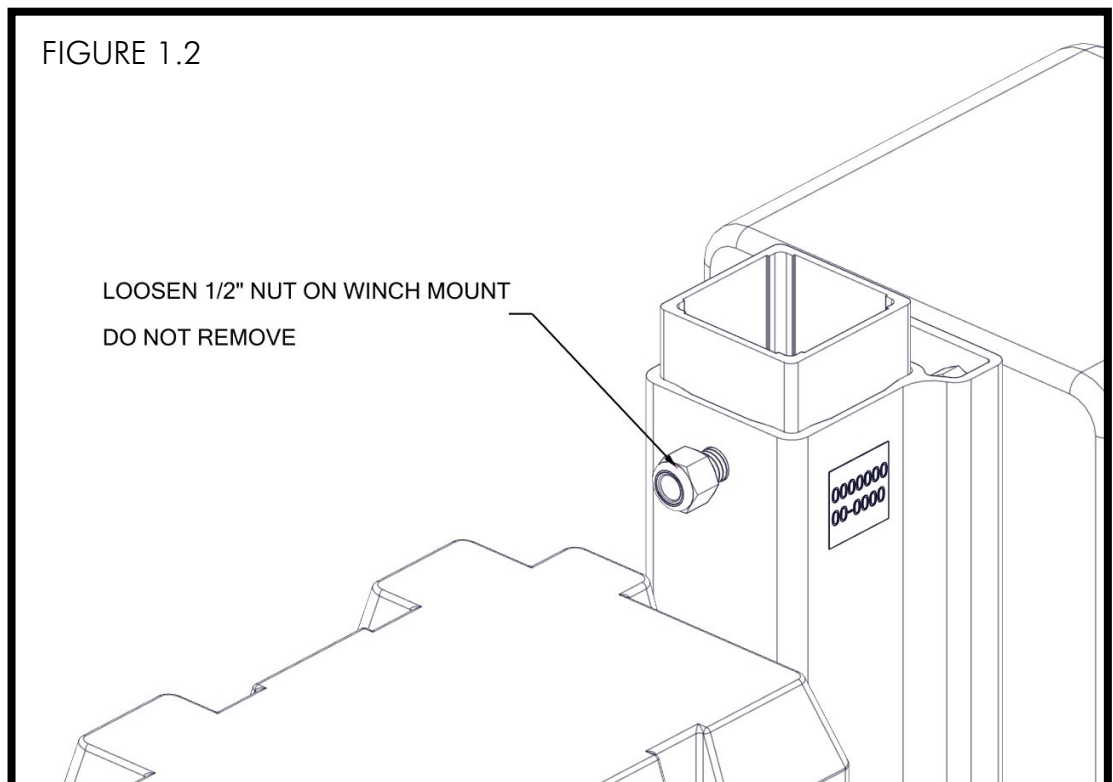
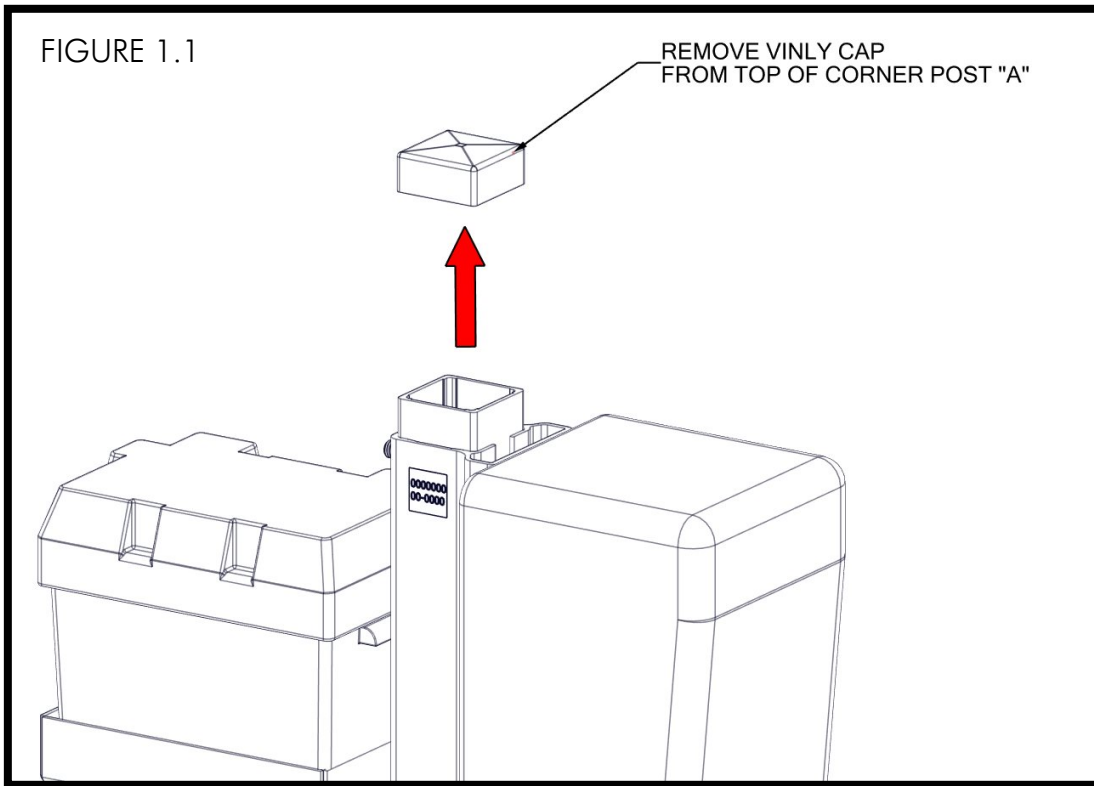
BILL OF MATERIALS/EXPLODED VIEW

P/N 511-01359-00		MOUNT, LOWER SP MAST CLAMP, V1600		
NUMBER	PART NUMBER	QTY.	DESCRIPTION	
1	111-00490-00	1	WELD'T, V1600 SOLAR PANEL LOWER CLAMP	
2	910-16102-00	1	TUBE, INNER LIFT/DOCK 16.25"	



STEP 1

IF INSTALLED, REMOVE VINYL CAP FROM TOP OF CORNER POST "A" (FIGURE 1.1). LOOSEN $\frac{1}{2}$ " NYLOCK NUT ON DC WINCH MOUNT, BUT DO NOT REMOVE (FIGURE 1.2).



INSTALL INSERT INTO CORNER POST WHILE LEAVING 5 INCHES EXPOSED FROM TOP OF CORNER POST (FIGURE 1.3 & 1.4). TORQUE $\frac{1}{2}$ " NUT TO 60 FT-LBS (FIGURE 1.4).

FIGURE 1.3

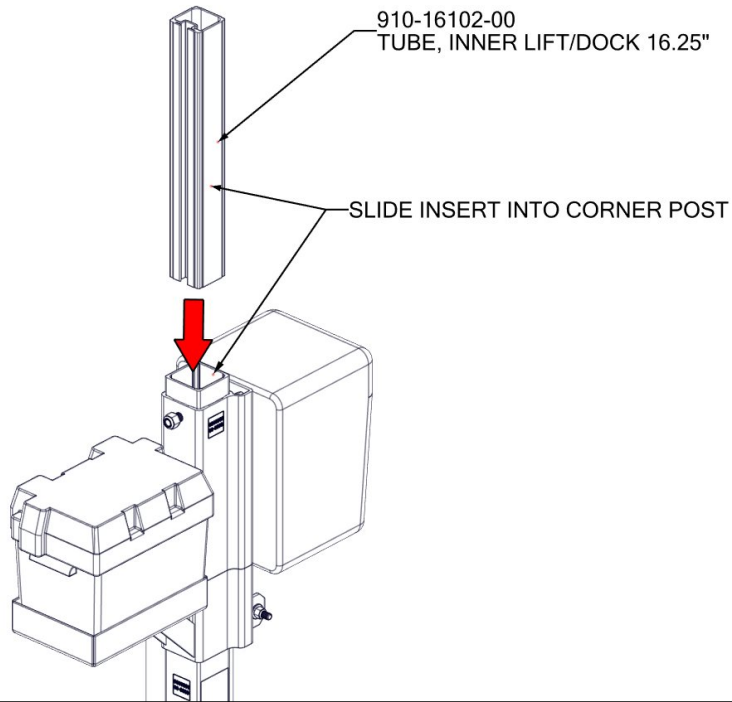
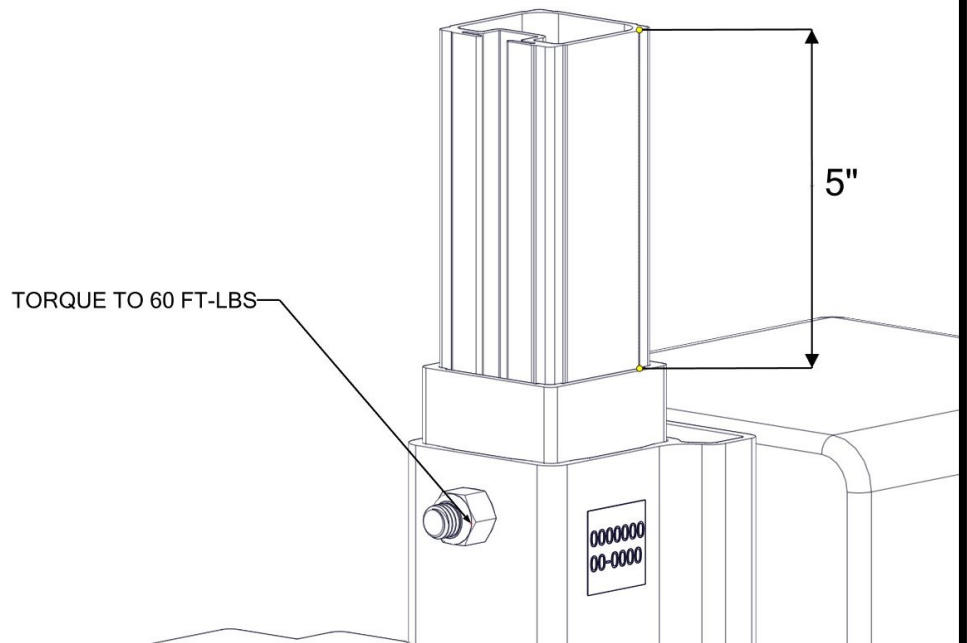
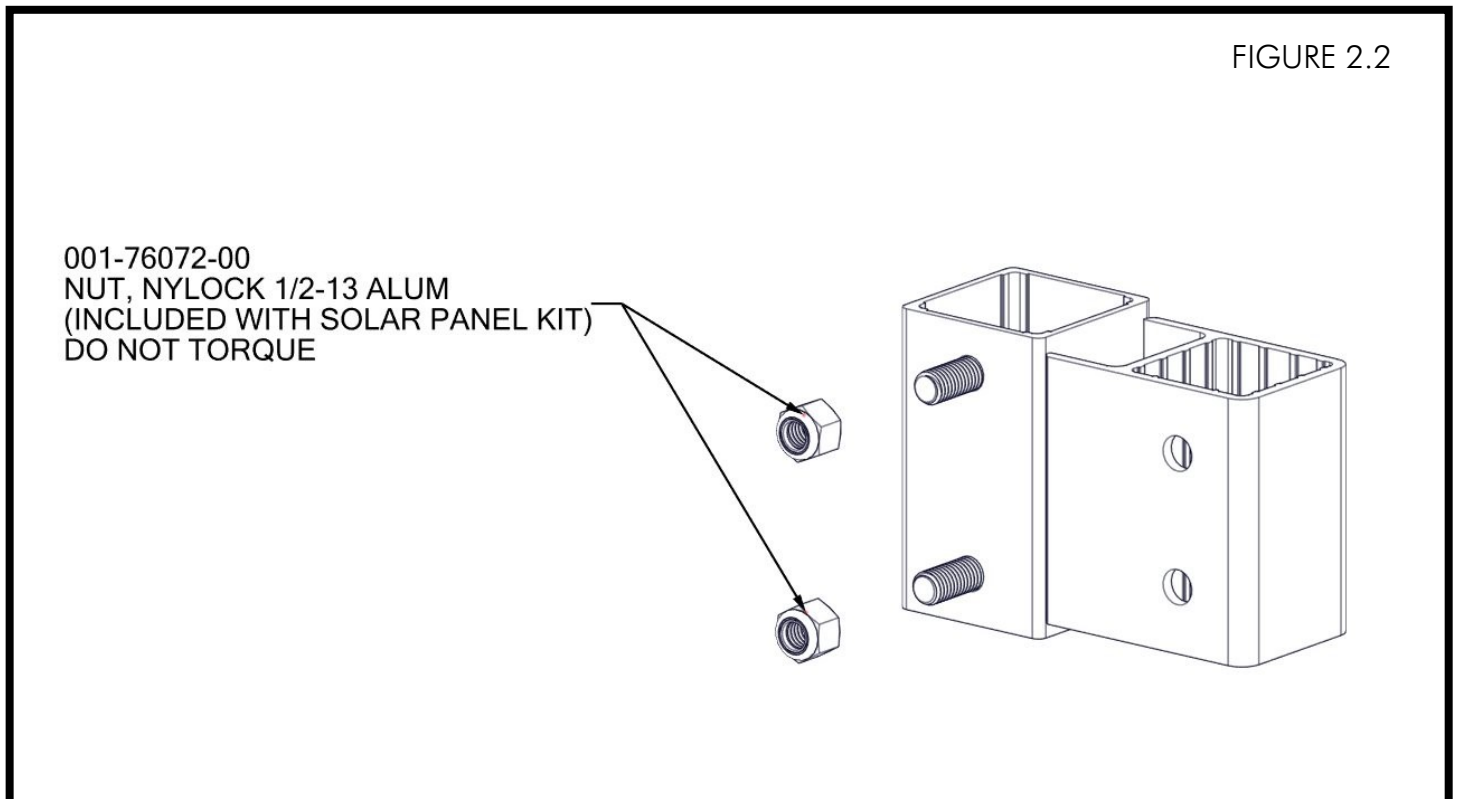
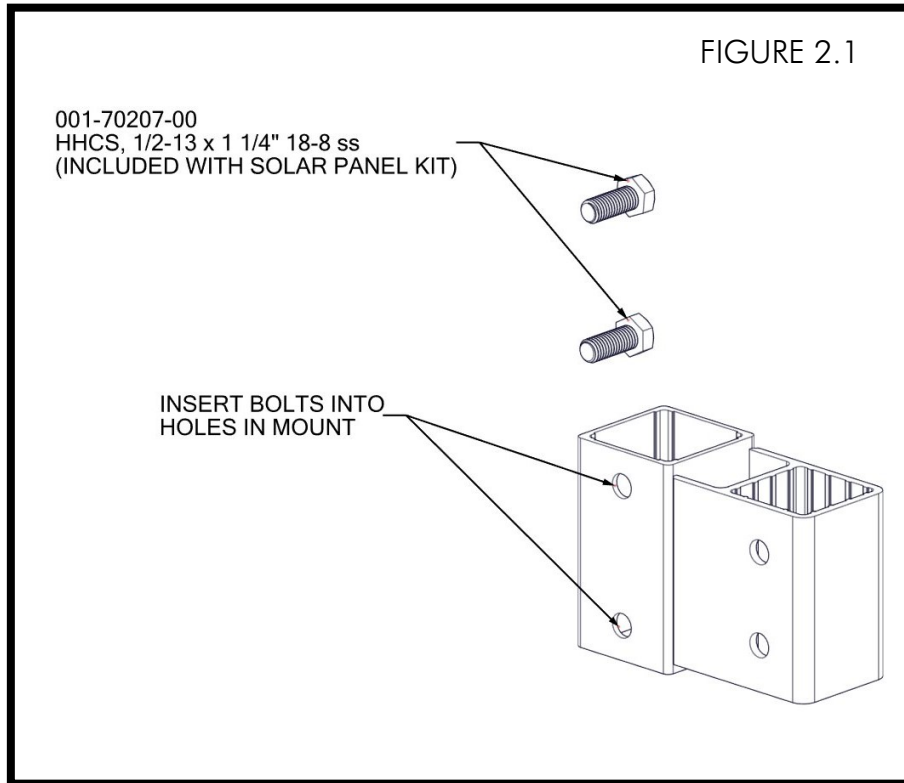


FIGURE 1.4

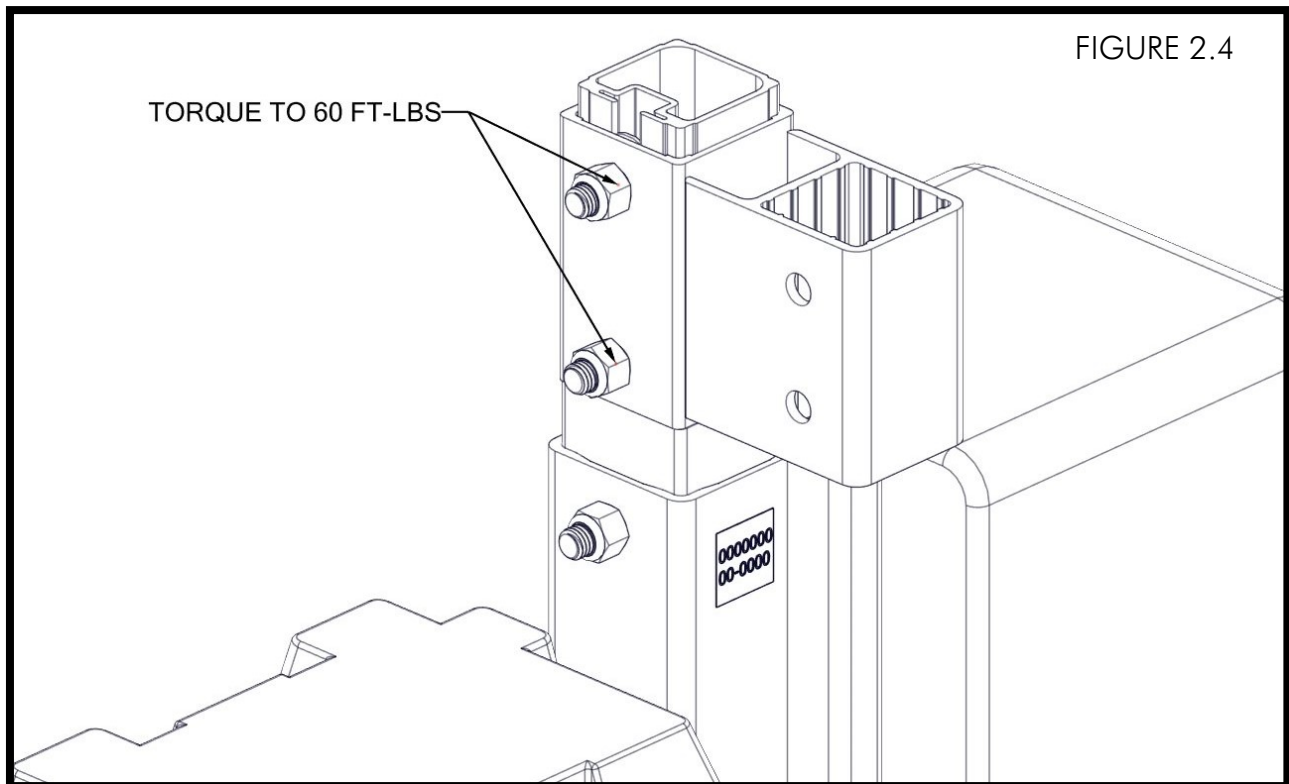
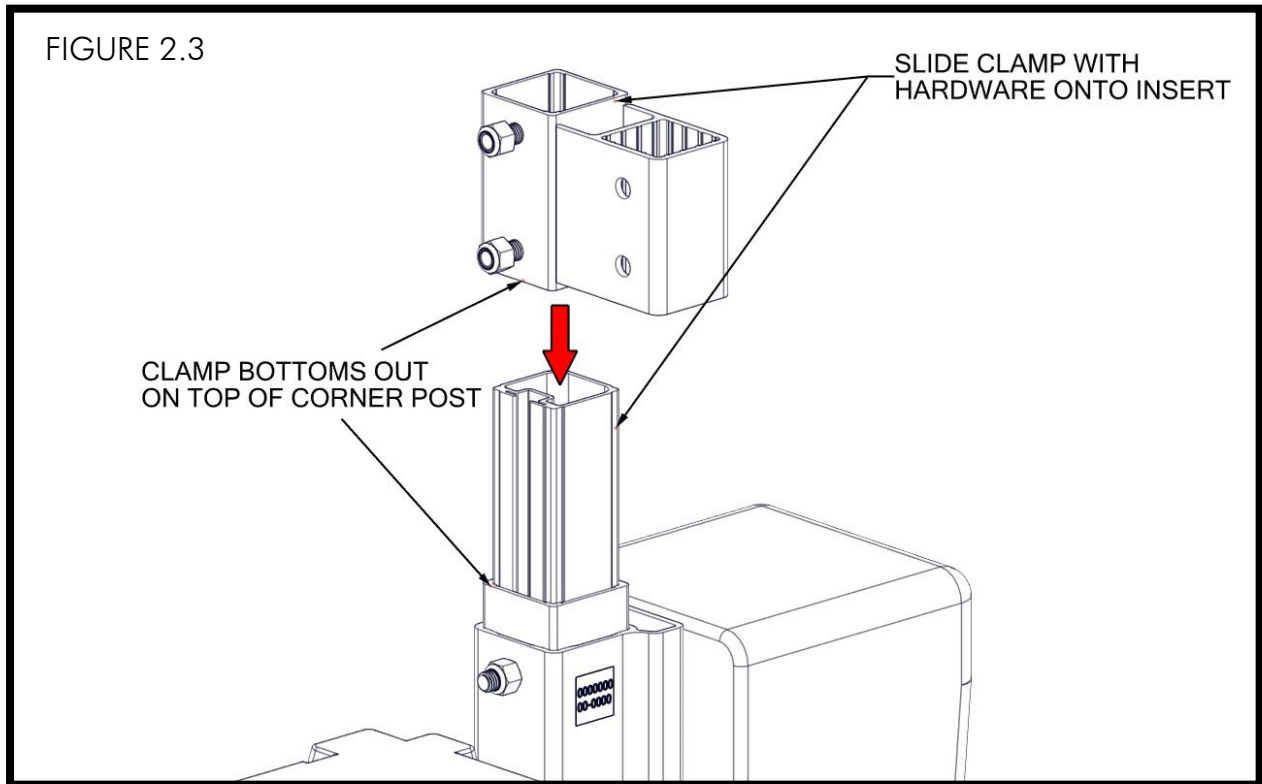


STEP 2

INSTALL (2) 1/2" X 1 1/4" BOLTS (INCLUDED IN SOLAR PANEL KIT) INTO CLAMP WELDMENT (FIGURE 2.1). PLACE (2) 1/2" NYLOCK NUTS ON BOLTS (INCLUDED WITH SOLAR PANEL KIT). DO NOT TORQUE (FIGURE 2.2).



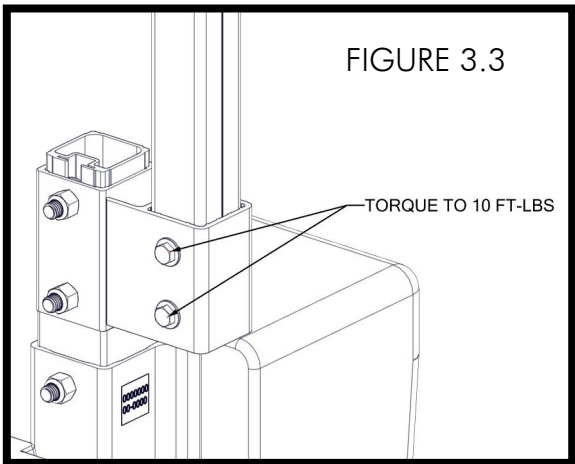
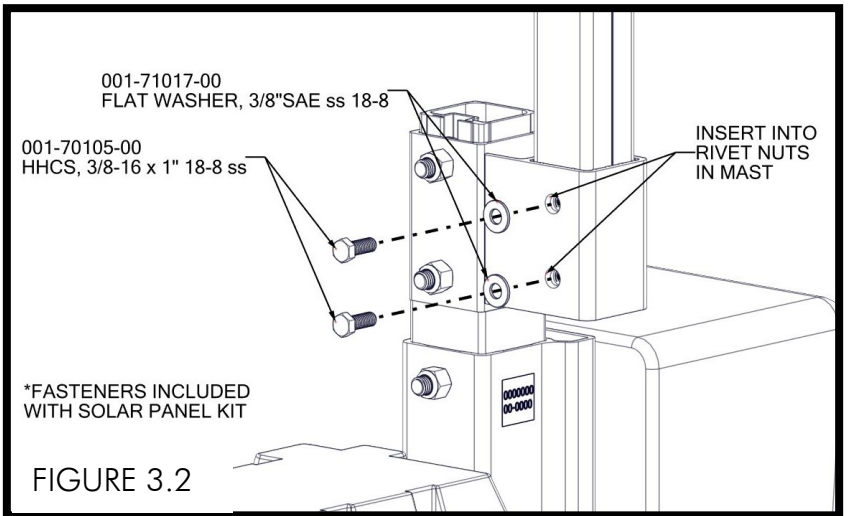
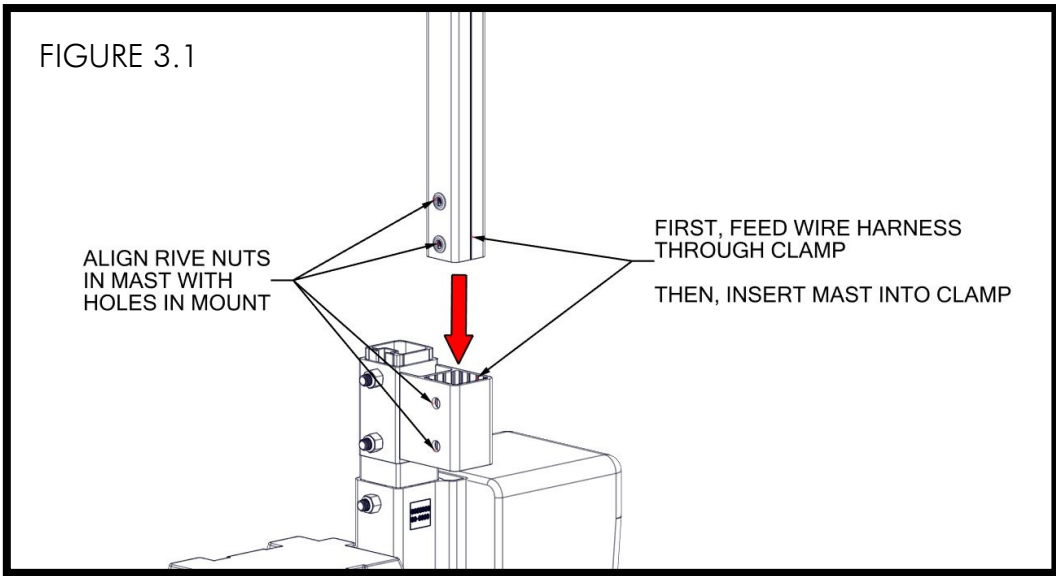
SLIDE CLAMP WITH BOLTS ONTO INSERT UNTIL CLAMP BOTTOMS OUT ON TOP OF CORNER POST (FIGURE 2.3). TORQUE 60 FT-LBS (FIGURE 2.4).



STEP 3

REFER TO INSTRUCTIONS P/N 611-01345-00 FOR INFORMATION ON HOW TO ASSEMBLE SOLAR PANEL MAST (SOLD SEPARATELY).

FEED WIRE HARNESS THROUGH LOWER MOUNT, THEN INSERT MAST INTO CLAMP. ALIGN HOLES IN MAST WITH HOLES IN CLAMP (FIGURE 3.1). ATTACH SOLAR PANEL MAST TO CLAMP USING (2) 3/8" X 1" BOLTS AND (2) 3/8" WASHERS (INCLUDED WITH SOLAR PANEL KIT) (FIGURE 3.2). TORQUE BOLTS TO 10 FT-LBS (FIGURE 3.3)



STEP 4

CONNECT THE RED LEAD TO THE POSITIVE TERMINAL AND THE BLACK LEAD TO THE NEGATIVE TERMINAL OF THE BATTERY. KEEP WIRES AWAY FROM ALL MOVING COMPONENTS.

