



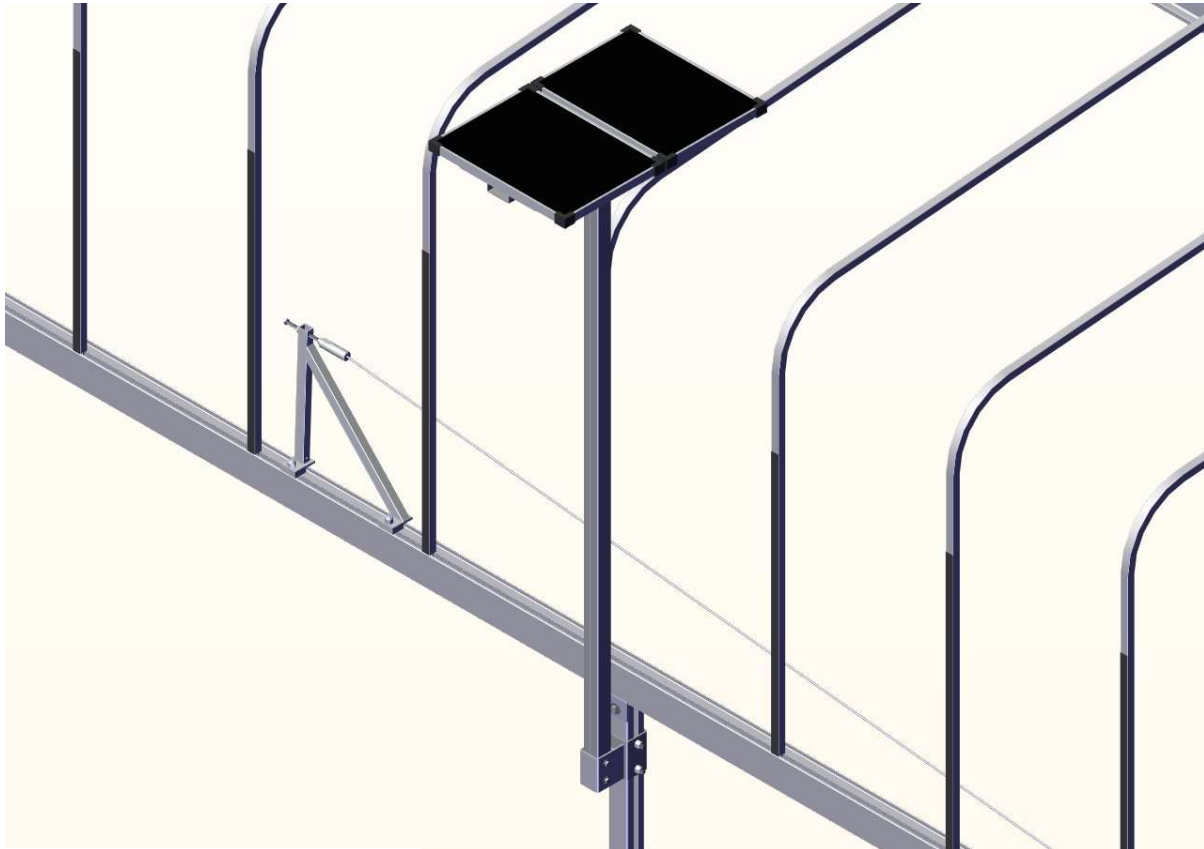
FLOE SOLAR PANELS

KIT -12V KIT, SOLAR PANEL 12V

-24V KIT, SOLAR PANEL 24V

ASSEMBLY INSTRUCTIONS

P/N: 511-01354-00, 511-01356-00



NOTE:
EITHER 511-01357-00,
511-01358-00, OR 511-
01359-00 IS REQUIRED
FOR MOUNTING.
BOTH ARE SOLD
SEPARATELY.

TOOLS REQUIRED
-3/8" WRENCH
-9/16" SOCKET/WRENCH (2)
-3/4" SOCKET/WRENCH
-PHILLIPS HEAD SCREWDRIVER
-TORQUE WRENCH
-ELECTRICAL TAPE

INSTRUCTION P/N: 611-01354-00

RELEASED 10/14/19

© Manufactured by:
Flo International Inc.
48473 State Hwy. 65
McGregor, MN 55760
www.floeintl.com

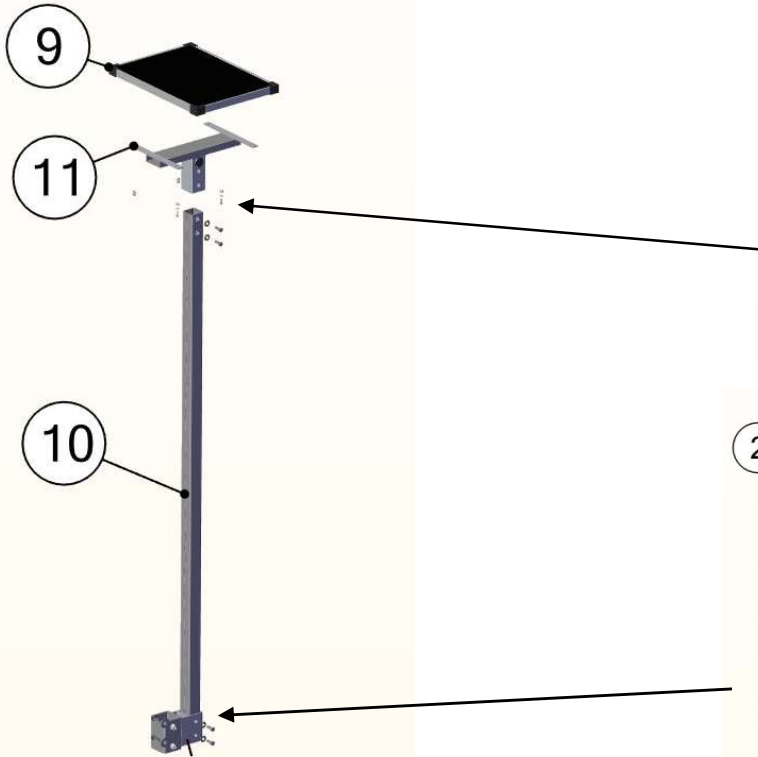
BILL OF MATERIALS
511-01354-00 (24V)

511-01354-00	Kit, Solar Panel 24V		
<u>NUMBER</u>	<u>PART NUMBER</u>	<u>DESCRIPTION</u>	<u>QTY.</u>
1	001-70105-00	HHCS, 3/8-16 x 1" 18-8 ss	4
2	001-70207-00	HHCS, 1/2-13 x 1 1/4" 18-8 ss	2
3	001-71009-00	Flat Washer, #10 Small O.D. ss	8
4	001-71017-00	Flat Washer, 3/8" SAE ss 18-8	4
5	001-71021-00	Flat Washer, 1/2" 18-8 ss	2
6	001-72517-00	PHMS, #10-32 x 5/8" Phillips 18-8 ss	8
7	001-76072-00	NUT, NYLOCK 1/2-13 ALUM	2
8	001-76073-00	Nut, Nylock 10-32 Alum	8
9	011-00902-00	Kit, Solar Panel w/ Contr. amp; Harn.	2
10	211-80030-00	Mast, Solar Panel	1
11	111-00467-00	Mount, Upper Solar Panel, 24V	1

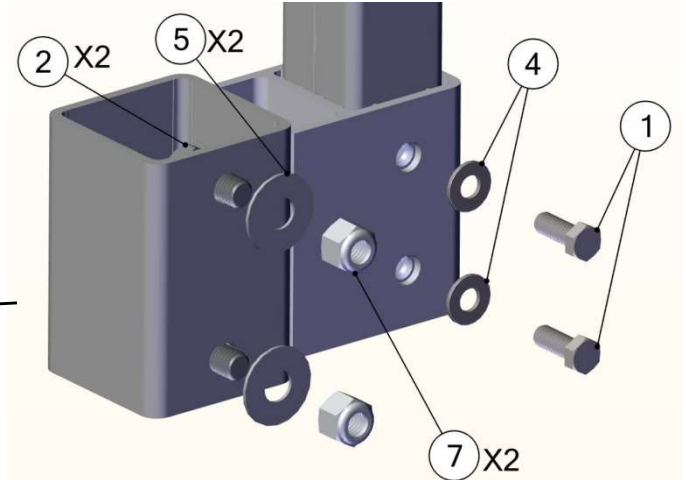
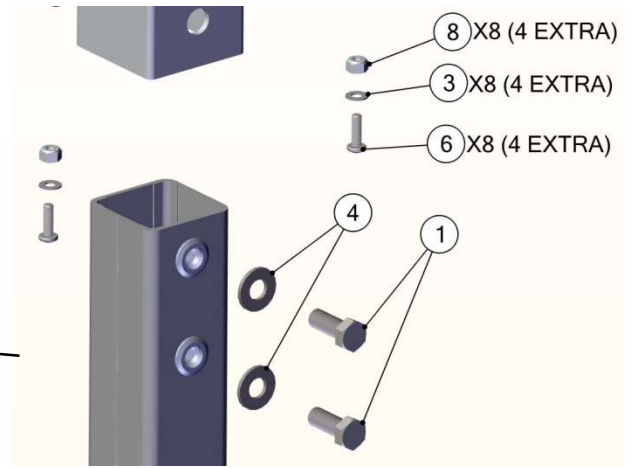
BILL OF MATERIALS
511-01356-00 (12V)

511-01356-00	Kit, Solar Panel 12V		
<u>NUMBER</u>	<u>PART NUMBER</u>	<u>DESCRIPTION</u>	<u>QTY.</u>
1	001-70105-00	HHCS, 3/8-16 x 1" 18-8 ss	4
2	001-70207-00	HHCS, 1/2-13 x 1 1/4" 18-8 ss	2
3	001-71009-00	Flat Washer, #10 Small O.D. ss	8
4	001-71017-00	Flat Washer, 3/8" SAE ss 18-8	4
5	001-71021-00	Flat Washer, 1/2" 18-8 ss	2
6	001-72517-00	PHMS, #10-32 x 5/8" Phillips 18-8 ss	8
7	001-76072-00	NUT, NYLOCK 1/2-13 ALUM	2
8	001-76073-00	Nut, Nylock 10-32 Alum	8
9	011-00902-00	Kit, Solar Panel w/ Contr. amp; Harn.	2
10	211-80030-00	Mast, Solar Panel	1
11	111-00468-00	Mount, Upper Solar Panel, 12V	1

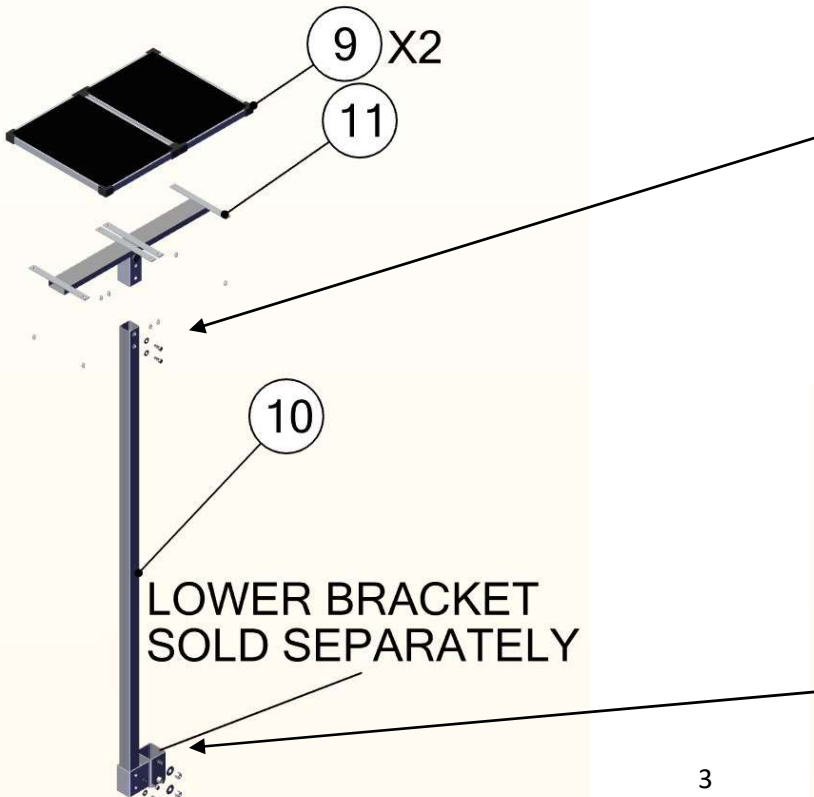
EXPLODED VIEW
511-01356-00 (12V)



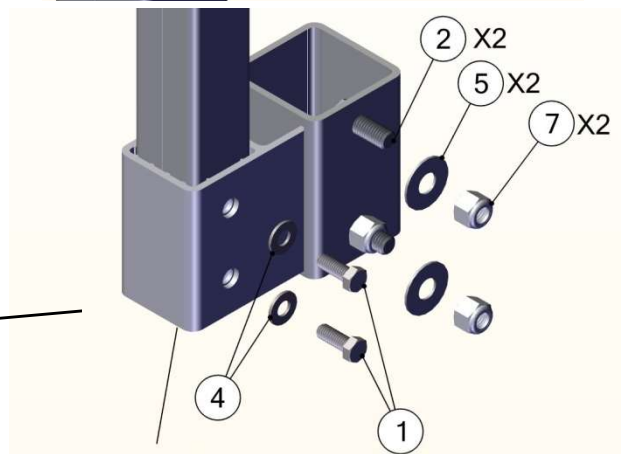
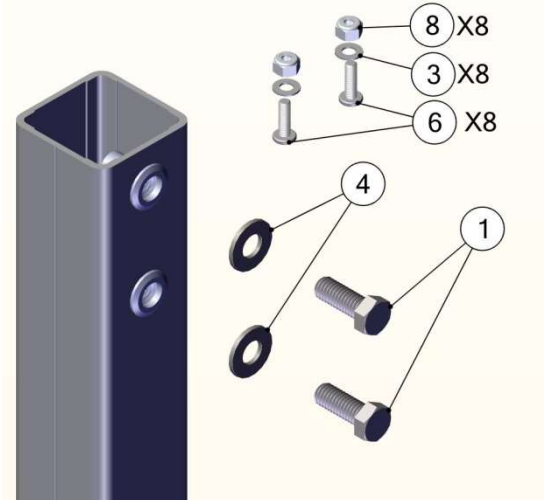
LOWER BRACKET
 SOLD SEPARATELY



EXPLODED VIEW
511-01354-00 (24V)



LOWER BRACKET
 SOLD SEPARATELY



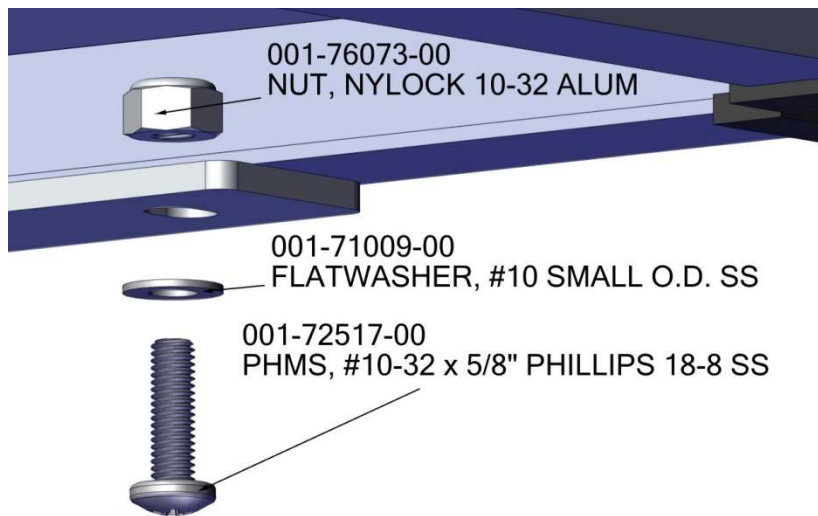
SOLD SEPARATELY

INSTALLATION

STEP 1

-ATTACHING PANEL(S)

ATTACH THE PANEL(S) TO THE UPPER MOUNT WITH PHMS #10-32 x 5/8" SCREWS, #10 WASHERS, AND 10-32 NYLOCK NUTS (4 FOR 12V SYSTEMS, 8 FOR 24V SYSTEMS). TIGHTEN UNTIL BOLT HAS NO FREE PLAY. DISCONNECT HARNESS(ES) (LONGER JACKETED WIRES) FROM SOLAR PANEL CONTROLLERS, THEN PUSH PANEL WIRE(S) (SHORTER WIRES) THROUGH THE PLUG(S) IN THE UPPER MOUNT.



INSTALL THE SOLAR PANEL CONTROLLERS AT OPPOSITE CORNERS SO THAT THE WIRES ON EACH CONTROLLER REACH THE GROMMET ON THE SIDE NEAREST TO THE CONTROLLER

STEP 2

-WIRE FEEDING

TAKE THE DISCONNECTED HARNESS(ES) AND FEED THEM THROUGH THE MAST. RE-CONNECT THE HARNESS TO THE PANEL CONNECTOR.



WRAP ELECTRICAL TAPE AROUND BOTH CONNECTORS TO EACH SOLAR PANEL.
TAPE SHOULD WRAP PAST PLUGS APPROXIMATELY ONE INCH.



WRAP ELECTRICAL TAPE
AROUND BOTH CONNECTORS
TO EACH SOLAR PANEL

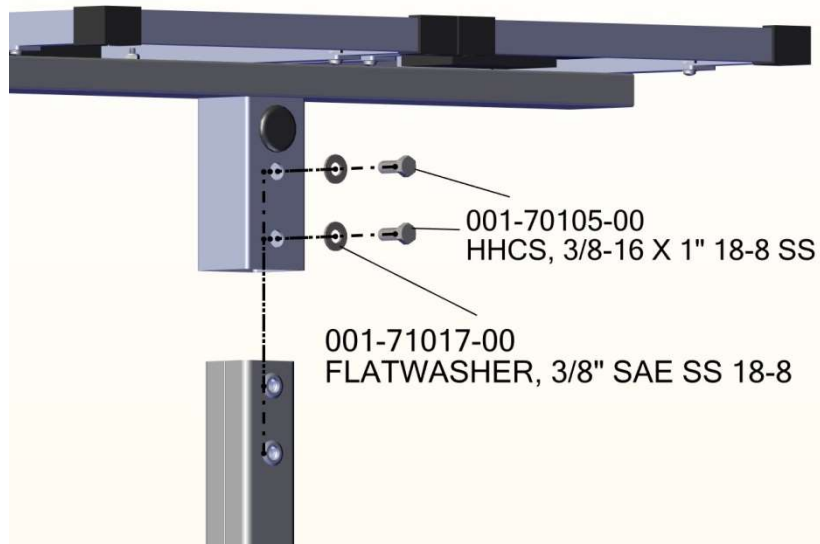
TAPE SHOULD WRAP PAST
PLUGS APPROXIMATELY ONE INCH



STEP 3

-ATTACH MAST TO UPPER MOUNT

ATTACH THE MAST TO THE UPPER MOUNT ASSEMBLY WITH (2) 3/8-16 x 1" BOLTS AND (2) 3/8" WASHERS BY PLACING THEM THROUGH THE UPPER MOUNT HOLES AND INTO THE RIVET NUTS IN THE MAST. **TORQUE TO 10 FT-LBS.**



STEP 4

-ATTACH LOWER MOUNT TO CANOPY LEG

NOTE: THE BRACKET MAY BE ON THE BALL SCREW SIDE OR THE V-BRACE SIDE OF THE LIFT. HOWEVER, THE BRACKET MUST BE ON THE TILTING CORNER POST IN MAXIS APPLICATIONS.

NOTE: LOWER BRACKET SOLD IN SEPARATE KIT.

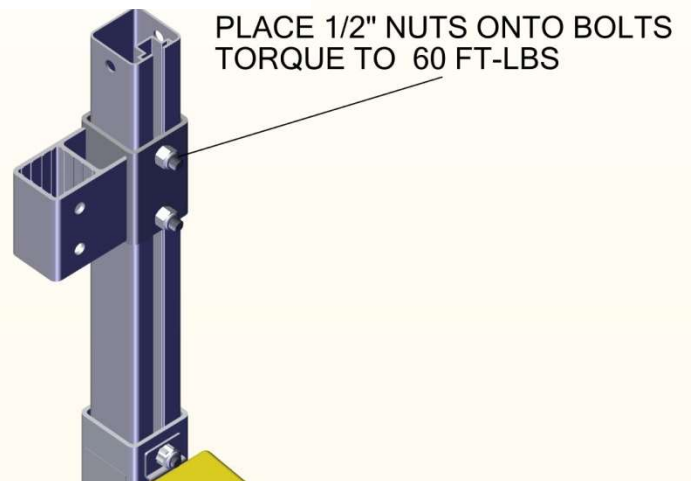
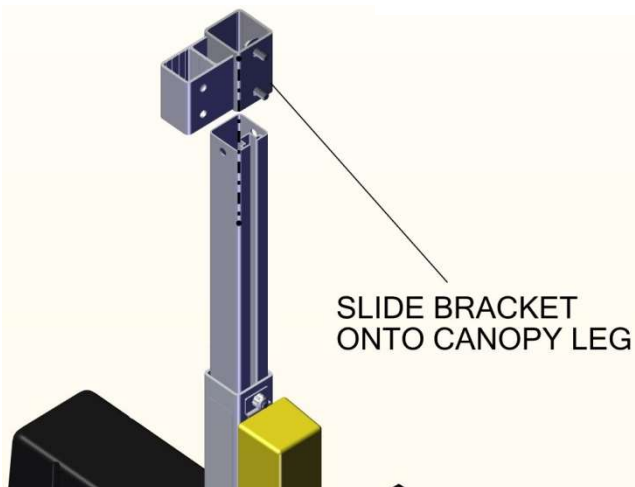
ATTACH THE ASSEMBLY TO THE CANOPY LEG BY PLACING (2) 1/2-13 x 1 1/4" BOLTS AND (2) 1/2" WASHERS INTO THE LOWER MOUNT AND SLIDING THEM INTO THE CANOPY LEG. PLACE (2) 1/2-13 NYLOCK NUTS AND **TORQUE TO 60 FT-LBS.**



OR



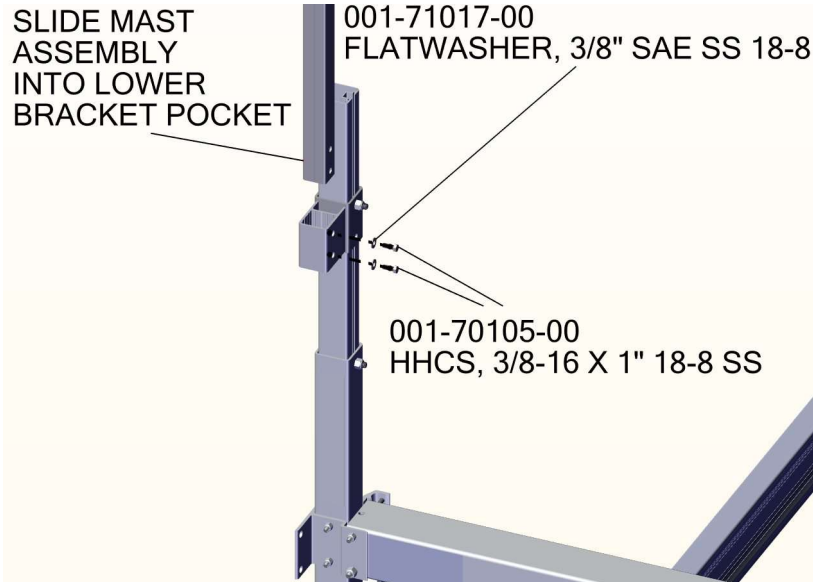
PLACE 1/2-13 BOLTS AND 1/2" WASHERS INTO LOWER MOUNT



STEP 5

-ATTACH MAST TO LOWER MOUNT

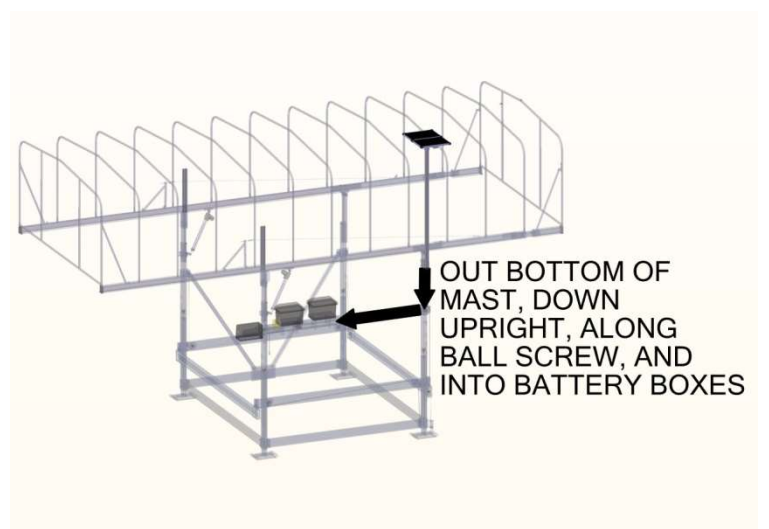
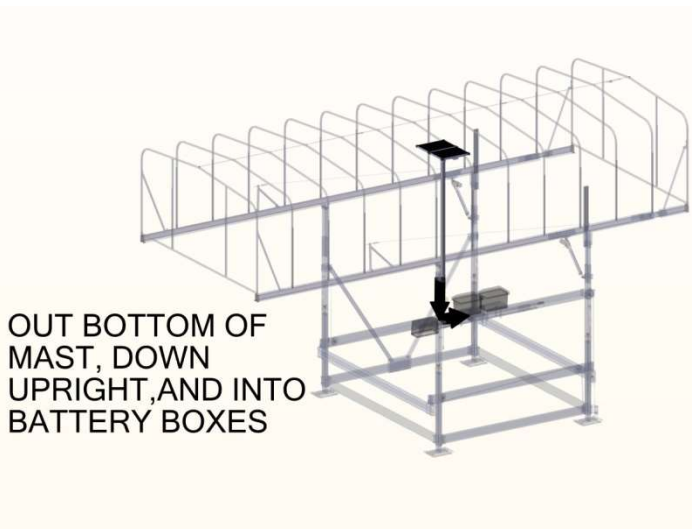
FEED WIRE HARNESES THROUGH THE LOWER MOUNT. ATTACH THE MAST TO THE LOWER MOUNTING BRACKET WITH (2) 3/8-16 x 1" BOLTS AND (2) 3/8" WASHERS BY PLACING THEM THROUGH THE LOWER MOUNT HOLES AND INTO THE RIVET NUTS IN THE MAST. **TORQUE TO 10 FT-LBS.**



STEP 6

-WIRE ROUTING

FOLLOW THE BELOW DIAGRAMS FOR WIRE ROUTING. KEEP WIRING AWAY FROM ALL MOVING PARTS.



-BATTERY CONNECTIONS

CONNECT THE RED LEAD TO THE POSITIVE TERMINAL OF THE BATTERY AND THE BLACK LEAD TO THE NEGATIVE TERMINAL OF THE BATTERY. REPEAT FOR THE SECOND BATTERY (IF APPLICABLE).

NOTE: ONLY ONE SOLAR PANEL IS CONNECTED TO AN INDIVIDUAL BATTERY.

KEEP WIRING AWAY FROM ALL MOVING PARTS.

BLACK LEAD TO NEGATIVE POST

RED LEAD TO POSITIVE POST

