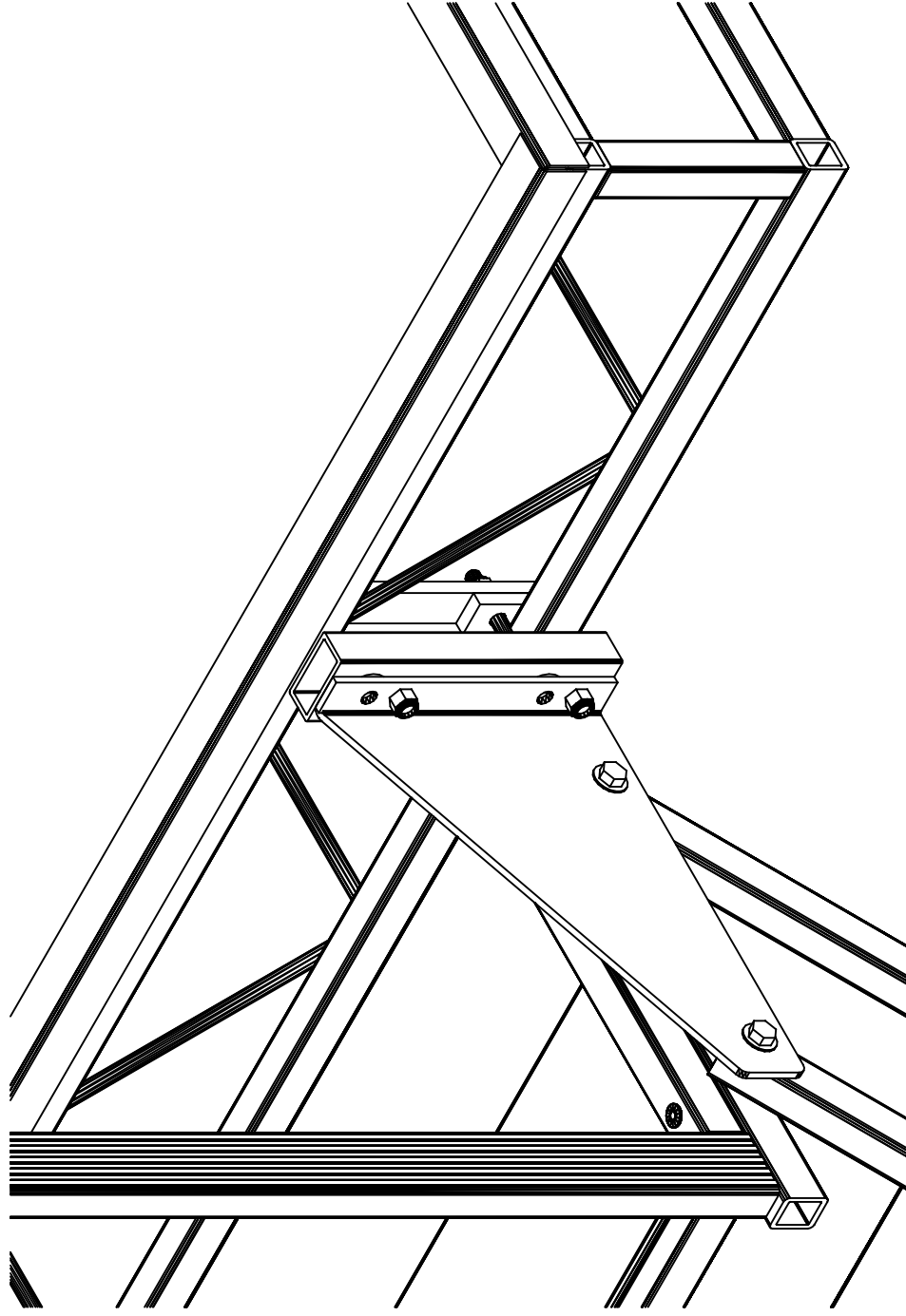


**FLOE DOCK STEPS**  
**CONNECT UPDATE KIT**  
**P/N 510-42005-00**  
**ASSEMBLY & INSTALLATION**  
**INSTRUCTIONS**



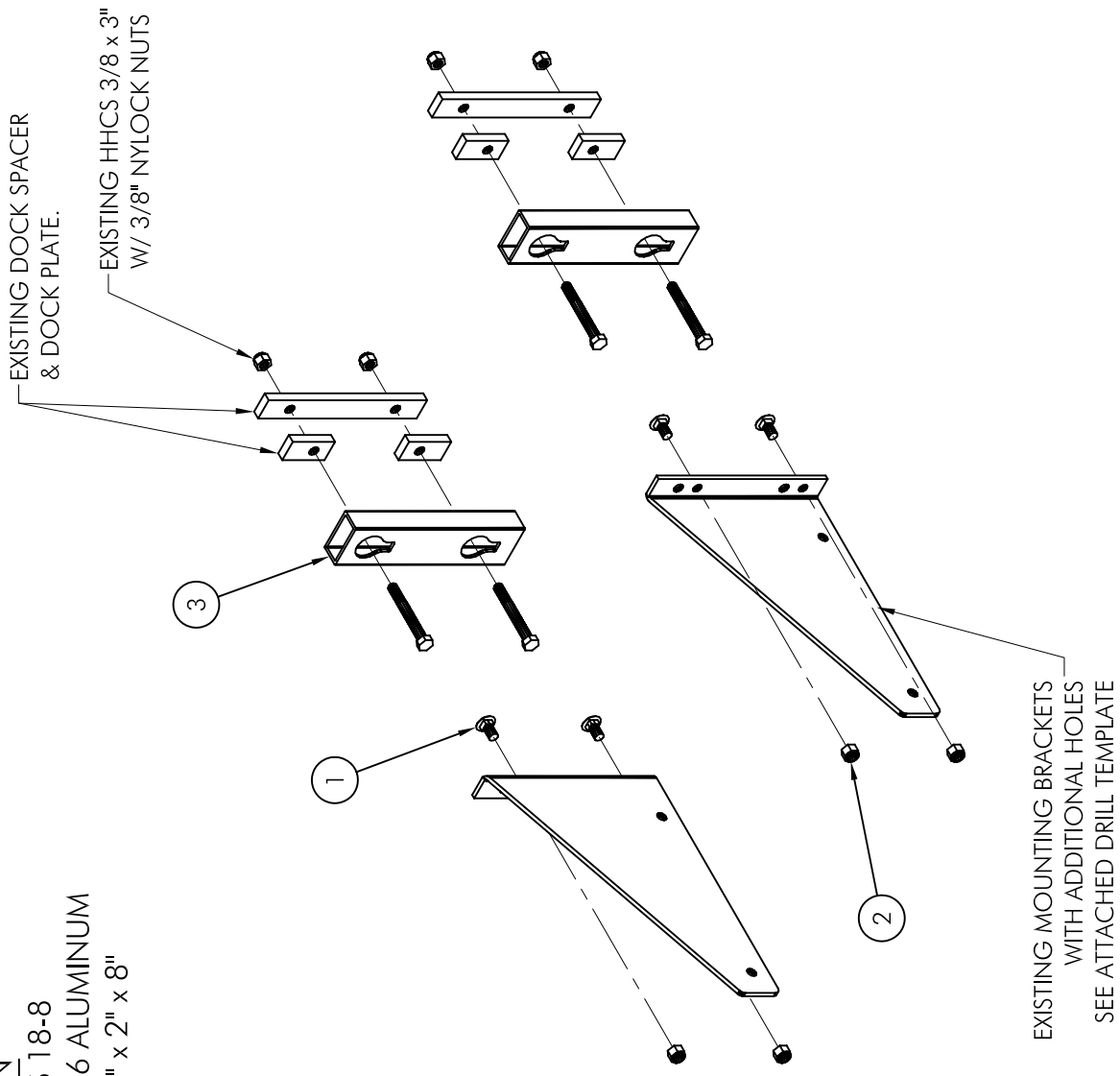
- TOOLS REQUIRED  
(2) 9/16" SOCKET WRENCHES  
CENTER PUNCH  
HAMMER  
3/8" DRILL BIT  
CORDLESS DRILL



# CONNECT UPDATE KIT PARTS LIST:

P/N 510-42005-00

ITEM NO.	PART NO.	QTY.	DESCRIPTION
1	001-74444-00	4	CB, 3/8-16 x 3/4" SS 18-8
2	001-76071-00	4	NUT, NYLOCK 3/8-16 ALUMINUM
3	002-42010-00	2	TUBE, MOUNTING 1" x 2" x 8"



## STEP 1

- REMOVE THE (4) 3/8" x 3" HHCS W/ NYLOCKS AND RETAIN ALONG WITH DOCK SPACERS AND DOCK PLATES FOR REINSTALLATION PURPOSES. PLACE THE (4) 3/8" x 3" HHCS THROUGH THE NEW MOUNTING TUBE, DOCK SPACER, AND DOCK PLATES AS SHOWN IN FIG. 1.

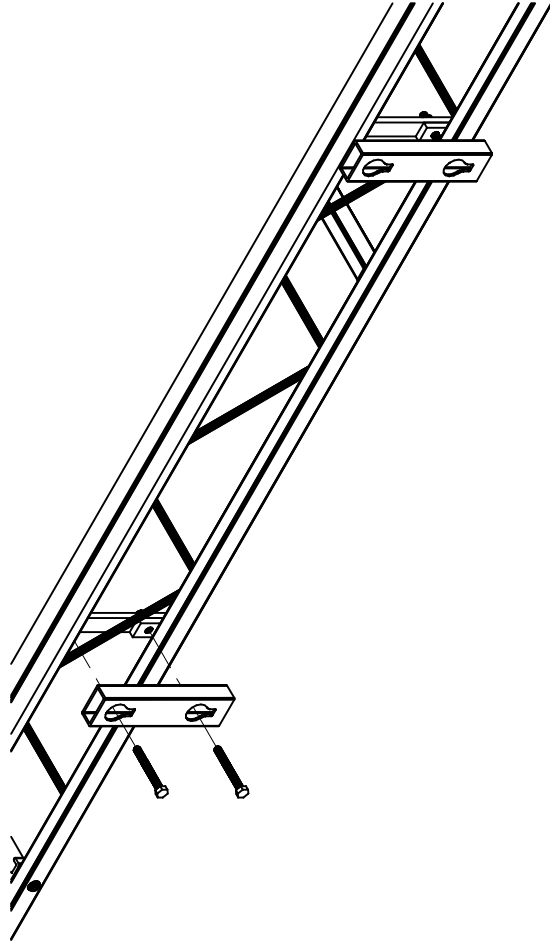


Fig. 1

## STEP 2

- AT THIS TIME IF YOUR DOCK STAIRS ARE IN THE WATER, REMOVE THEM FROM THE WATER BEFORE PROCEEDING. USE THE ENCLOSED TEMPLATE TO MARK THE NEW HOLES TO BE DRILLED IN THE MOUNTING BRACKETS. PLACE THE TEMPLATE ON THE BRACKET AS SHOWN IN FIG. 2. AFTER MARKING THE CENTERS OF THE NEW HOLES WITH A CENTER PUNCH. DRILL (2) 3/8" HOLES IN EACH OF THE EXISTING MOUNTING BRACKETS.

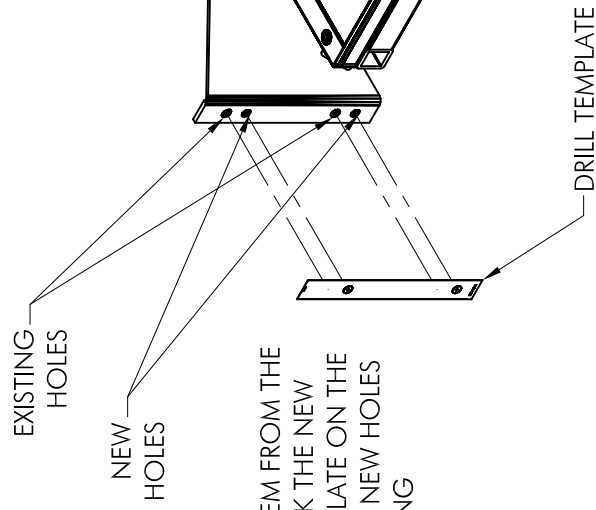


Fig. 2



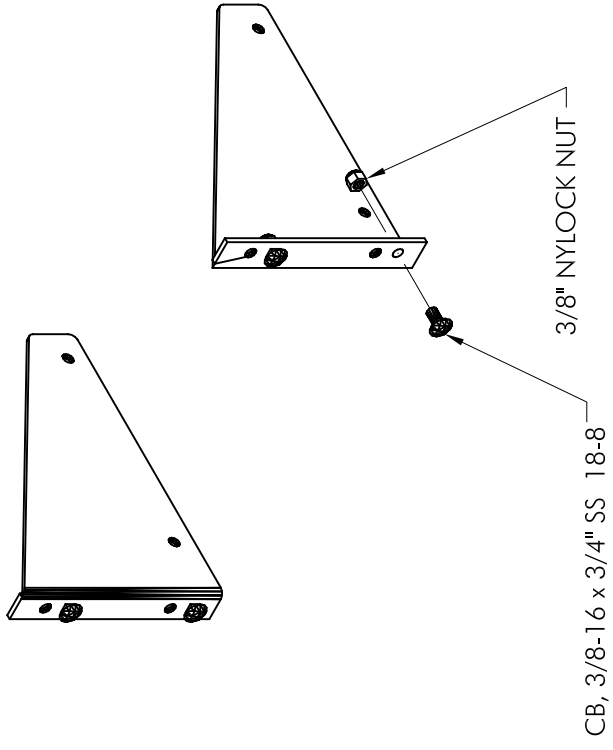


Fig. 3

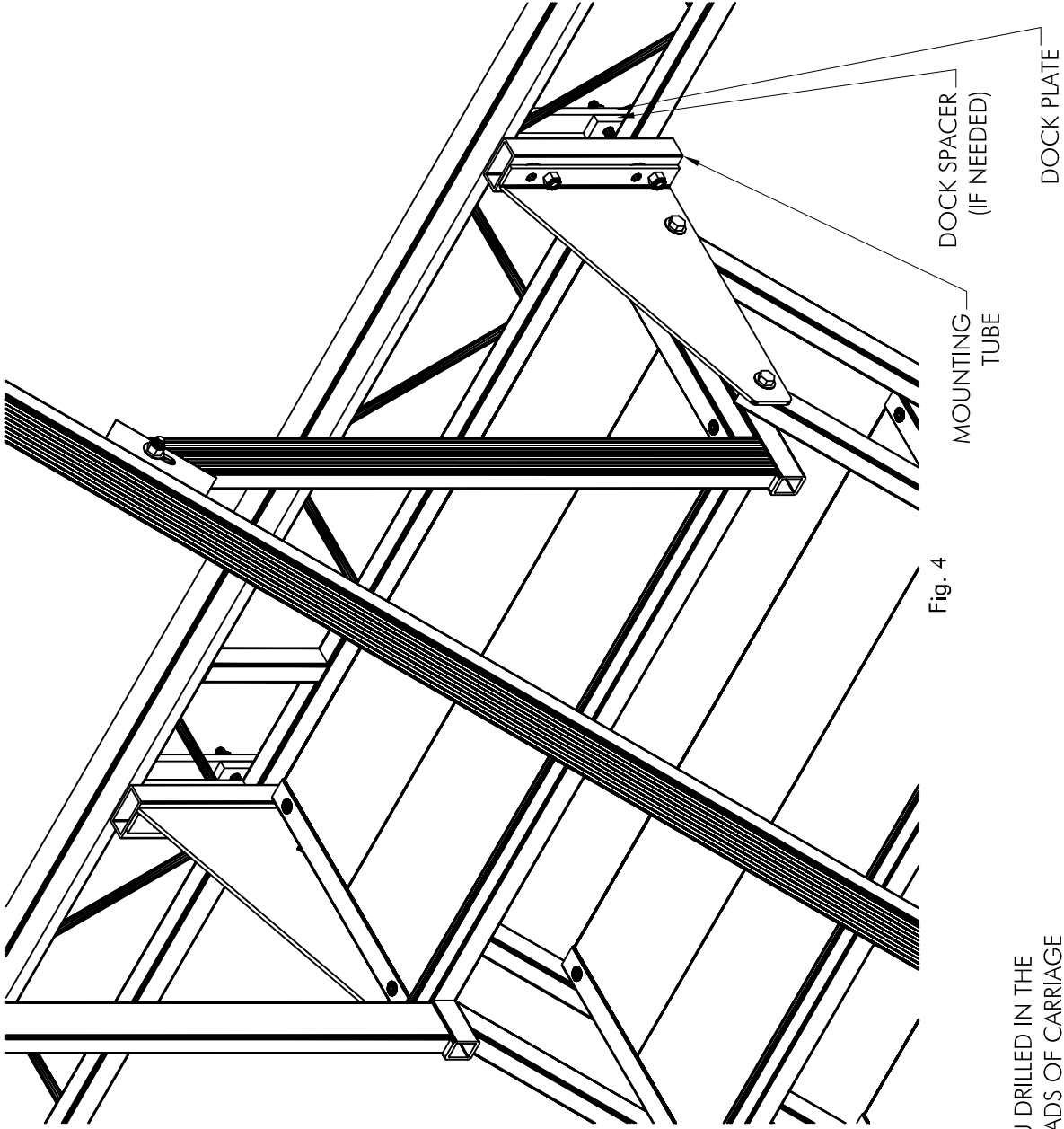


Fig. 4

**WARNING**  
 MULTIPLE PINCH  
 POINTS. KEEP HANDS  
 & FEET CLEAR OF ALL  
 MOVING PARTS  
 DURING ASSEMBLY  
 & INSTALLATION

## STEP 3

- INSTALL (4) CB, 3/8-16 x 3/4" INTO THE NEW HOLES THAT YOU DRILLED IN THE MOUNTING BRACKETS AND TIGHTEN FINGER TIGHT. ALIGN HEADS OF CARRIAGE BOLTS WITH SLOTS IN MOUNTING TUBES ATTACHED TO DOCK. SEE FIG. 3. THE HEADS OF THE CARRIAGE BOLTS MAY HAVE TO BE ROTATED AT THIS TIME TO ALLOW THE CARRIAGE BOLT HEADS TO SLIDE INTO THE MOUNTING TUBE SLOTS. ONCE THE STAIRS HAVE BEEN ATTACHED TO THE MOUNTING TUBES. SEE FIG. 4. THE CARRIAGE BOLTS NEED TO BE TIGHTENED TO SNUG THE BOLTS TO THE MOUNTING BRACKETS. DO NOT OVERTIGHTEN.

**NOTE:**

- IF YOU LIVE IN A COLD CLIMATE THAT REQUIRES REMOVAL OF YOUR STEPS IN THE FALL, SPECIAL ATTENTION NEEDS TO BE TAKEN TO MAKE SURE THAT THE DRAIN HOLES ARE UNOBSTRUCTED TO PROVIDE PROPER DRAINAGE.

**BOTTOM**



**TOP**