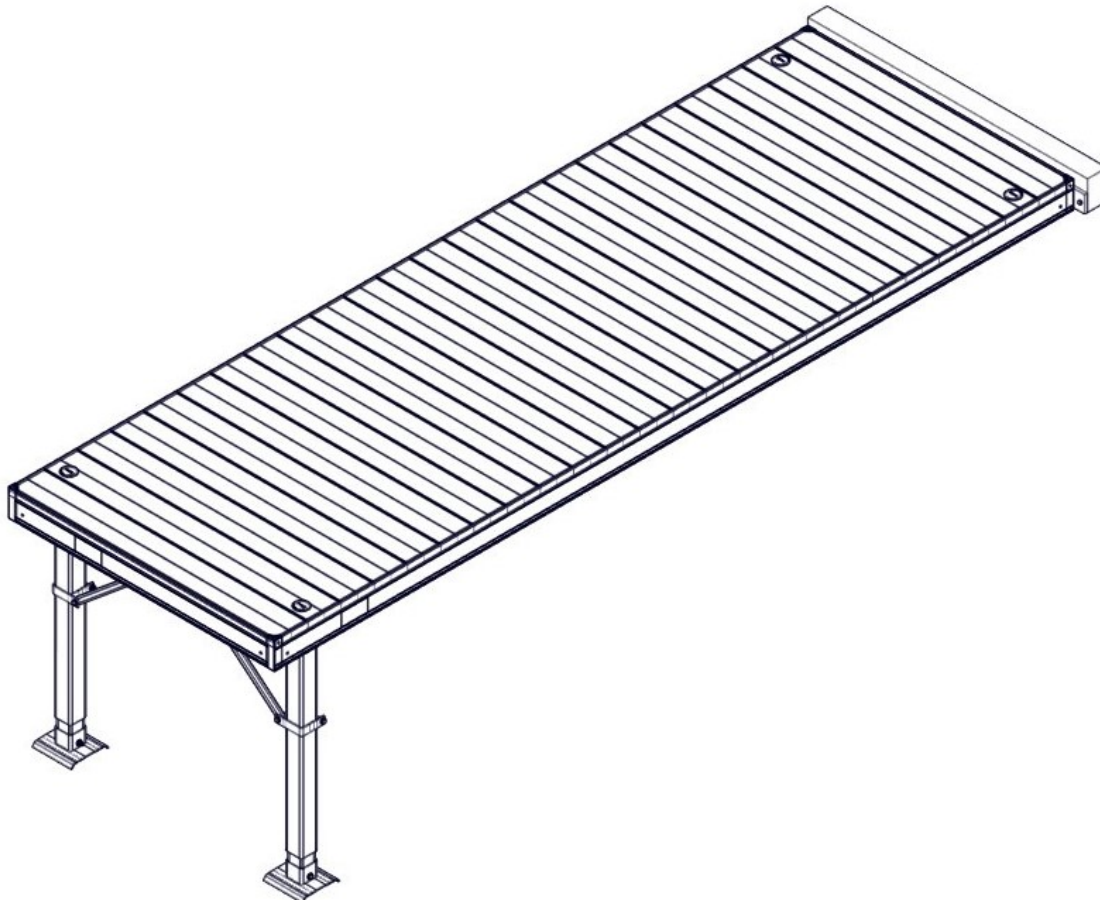


# FLOE SECTIONAL SEAWALL CONNECTION KIT STANDARD & QUICK ATTACH ASSEMBLY INSTRUCTIONS



KIT P/N 510-35150-00



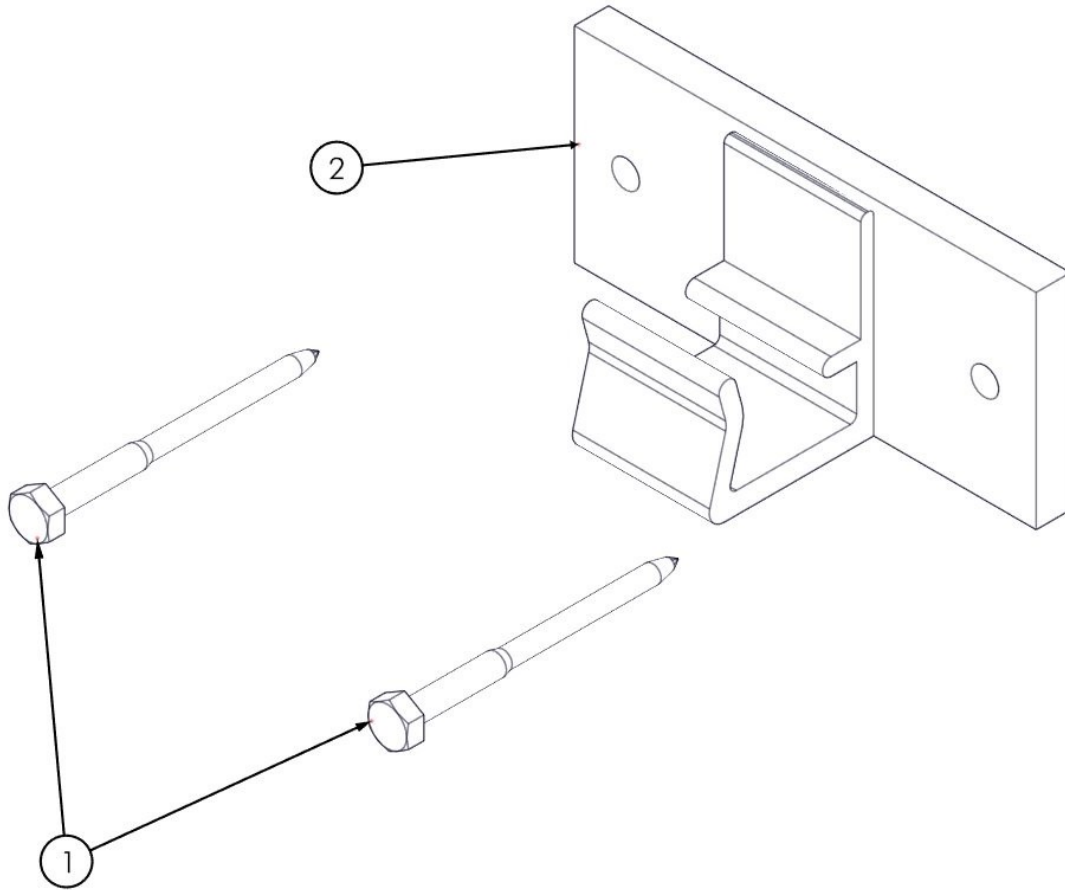
**\*DOCK SECTION & LEG KIT NOT INCLUDED**

## TOOLS REQUIRED

- 9/16" SOCKET/WRENCH
- 1/4" DRILL BIT
- CORDLESS DRILL
- TAPE MEASURE

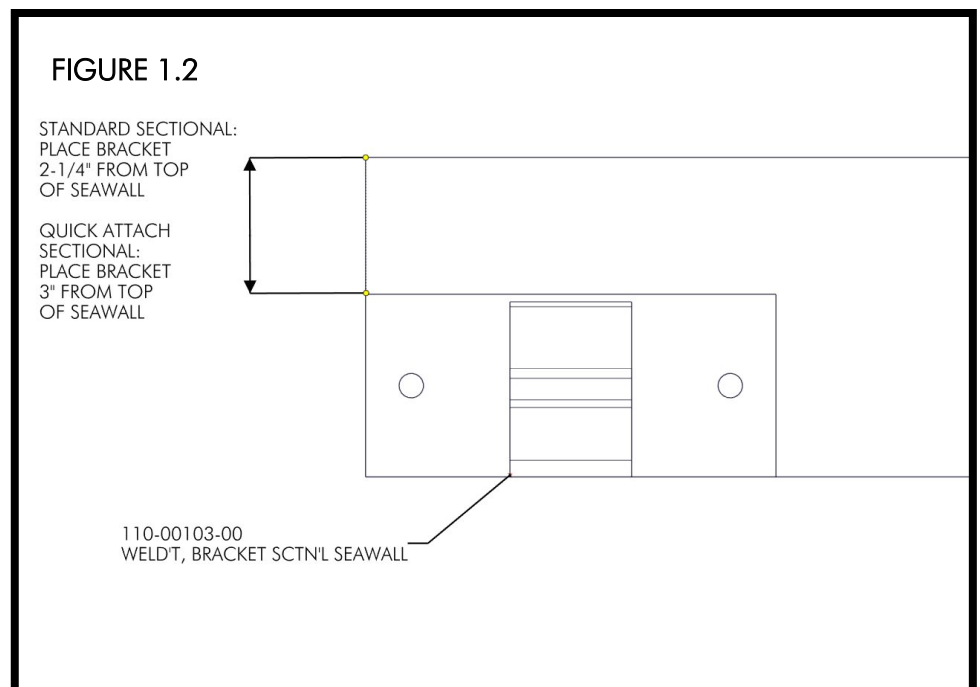
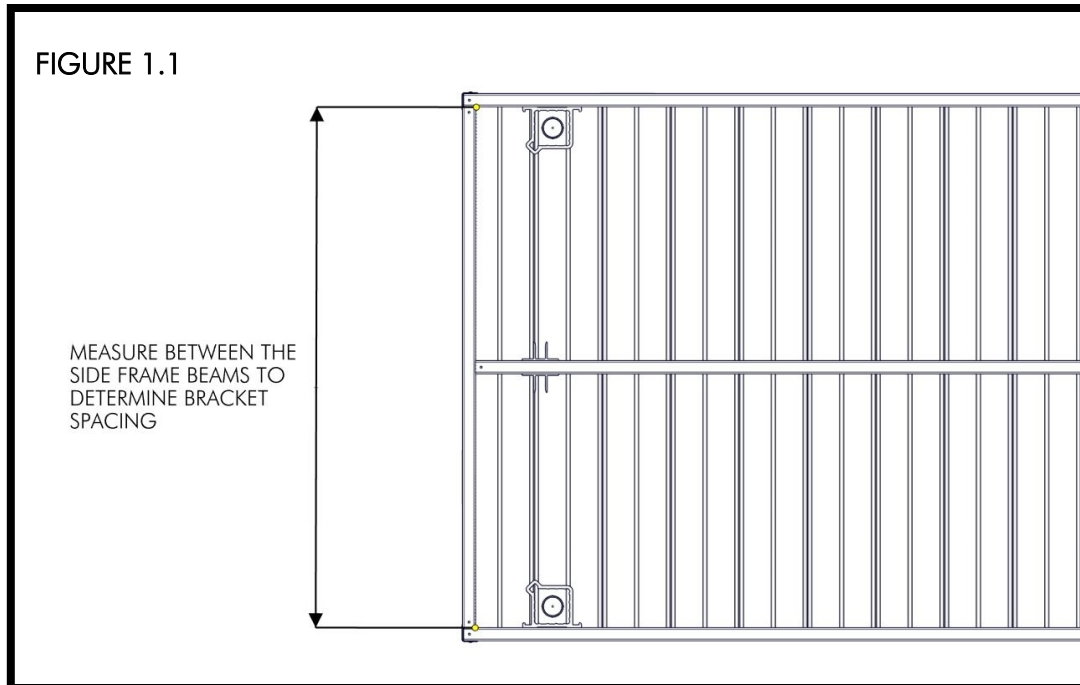
# BILL OF MATERIALS

P/N 510-35150-00		KIT, SEAWALL SCTN'L DOCK	
NUMBER	PART NUMBER	DESCRIPTION	QTY
1	001-74527-00	SCREW, LAG - 3/8" X 4" SS 18-8	4
2	110-00103-00	WELD'T, BRACKET SCTN'L SEAWALL	2



# ASSEMBLY

FIRST, DETERMINE WHERE THE ATTACHMENT BRACKETS SHOULD BE ON THE SEAWALL. MEASURE BETWEEN THE SIDE FRAME TUBES, INSIDE TO INSIDE TO DETERMINE PROPER SPACING FOR OTHER DOCKS. FOR EXAMPLE, BRACKETS INSTALLED FOR A 4' DOCK WILL BE PLACED APPROXIMATELY 45-3/4" APART (FIGURE 1.1). FOR STANDARD SECTIONAL DOCKS, PLACE THE BRACKETS 2-1/4" FROM THE TOP OF THE SEAWALL. FOR QUICK ATTACH SECTIONAL DOCKS, PLACE THE BRACKETS 3" FROM THE TOP OF THE SEAWALL (FIGURE 1.2).



FIND THE CENTER OF THE SEAWALL AND TRANSFER MEASUREMENT TAKEN FROM DOCK (FIGURE 1.3) ONCE THE BRACKETS ARE PLACED, DRILL (2) PILOT HOLES PER BRACKET, THEN ATTACH TO THE SEAWALL USING (2) 3/8" X 4" LAG SCREWS (FIGURE 1.4). PLACE THE DOCK SECTION INTO THE BRACKETS INTO THE INNERMOST SLOT IN THE BRACKET (FIGURE 1.5).

FIGURE 1.3

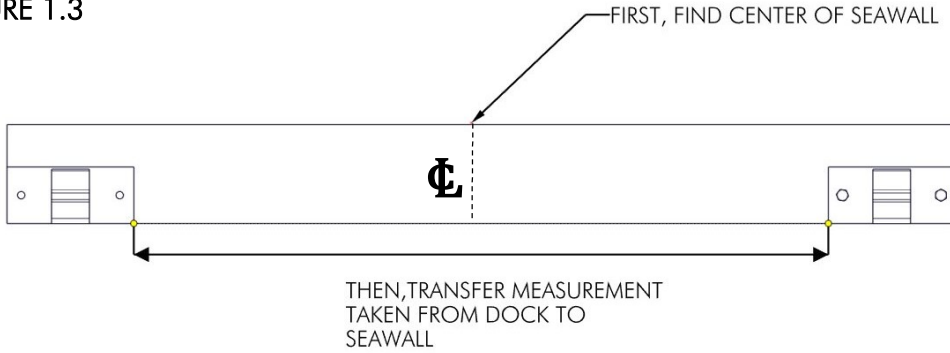
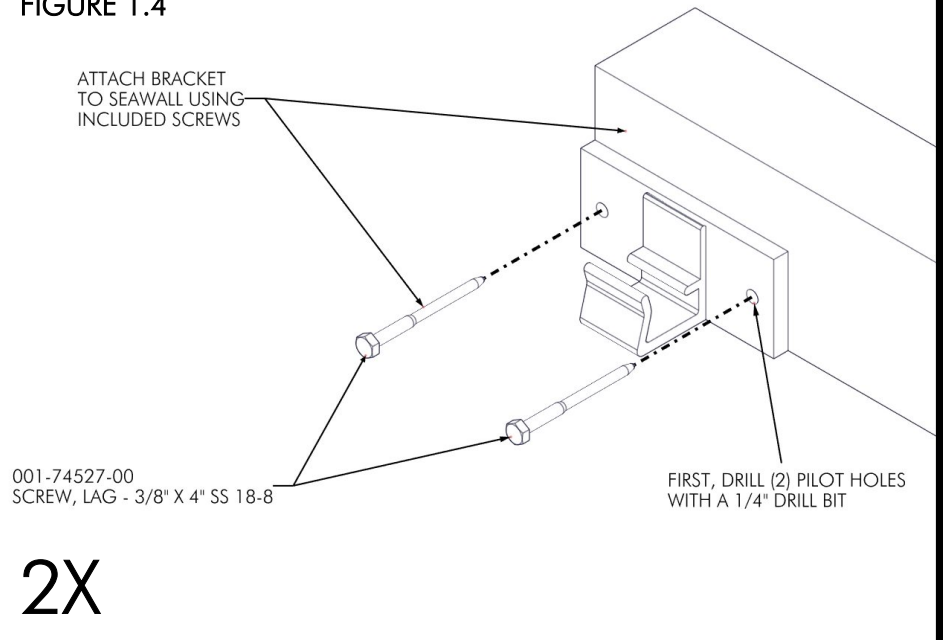


FIGURE 1.4



PLACE DOCK SECTION INTO BRACKET

FIGURE 1.5