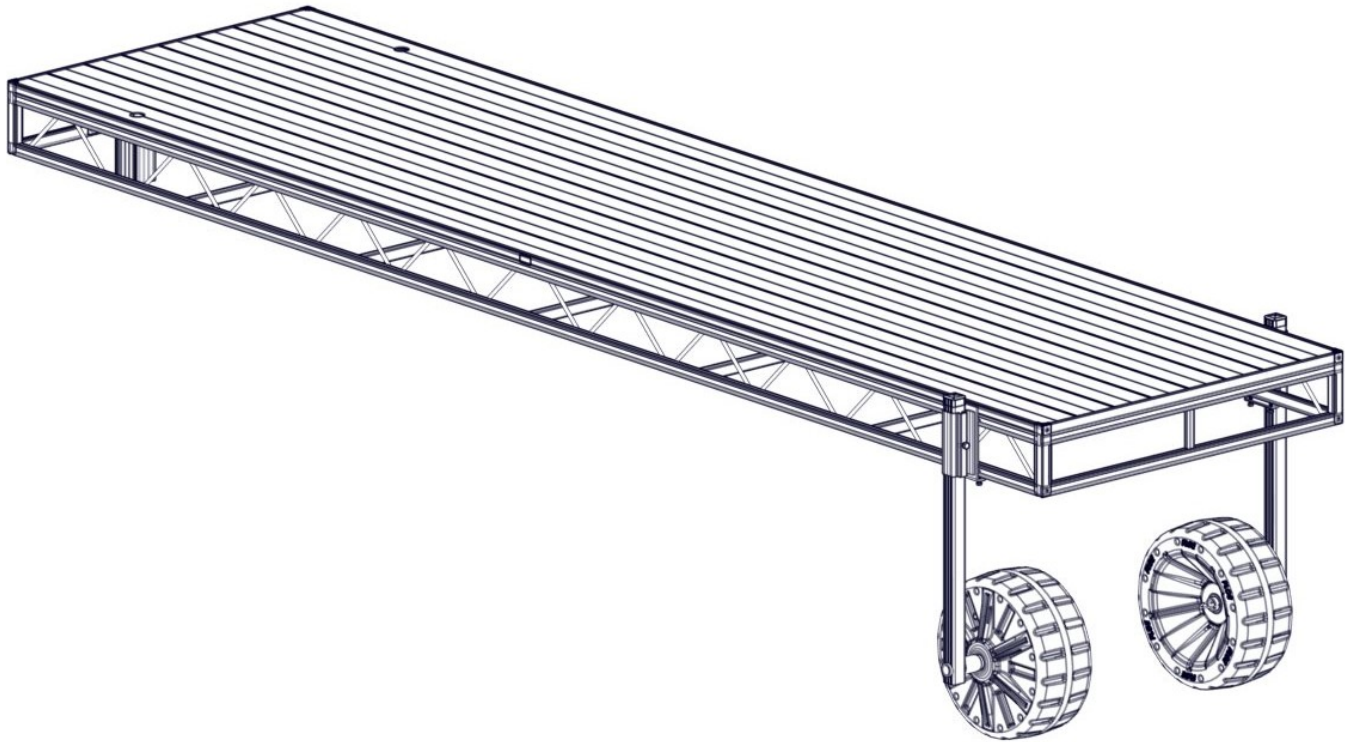
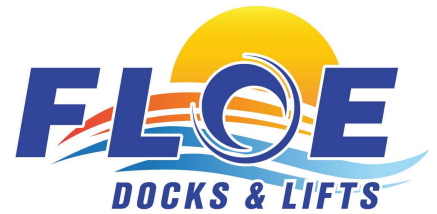


FLOE QUICK ATTACH ROLL-IN SHORE END WHEEL KIT

ASSEMBLY INSTRUCTIONS

KIT P/N 510-07200-00



*DOCK & WHEELS NOT INCLUDED

TOOLS REQUIRED

- 9/16" SOCKET/WRENCH
- 3/4" SOCKET/WRENCH
- TORQUE WRENCH
- TAPE MEASURE
- LEVEL (IF NEEDED)

NOTE:

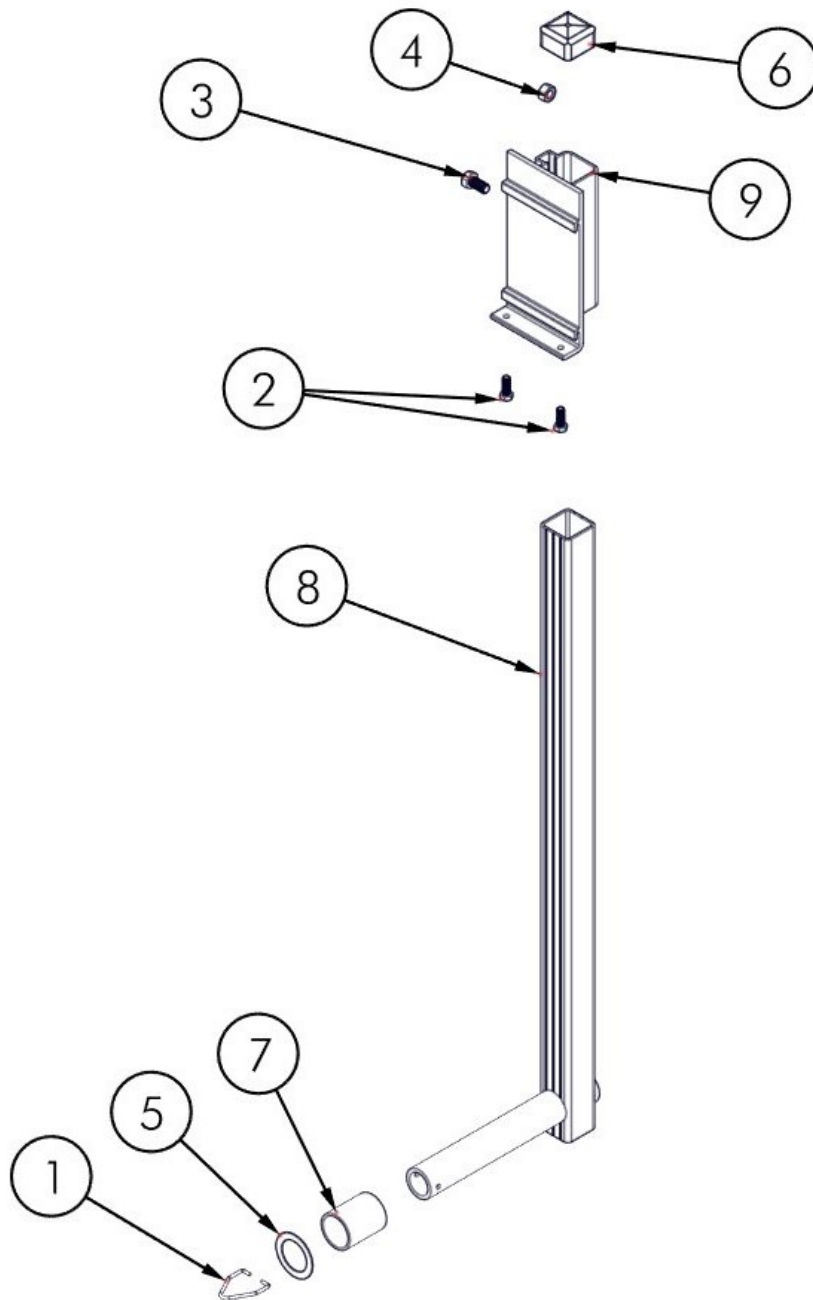
WHEELS MAY BE POSITIONED SO THAT THEY ARE EITHER UNDER THE DOCK (INBOARD) AS SHOWN, OR ON THE OUTSIDE OF THE DOCK (OUTBOARD)

INSTRUCTION P/N: 610-07199-00
RELEASED 3/29/21

© Manufactured by:
Floe International Inc.
48473 State Hwy. 65
McGregor, MN 55760
www.floeintl.com

BILL OF MATERIALS/EXPLODED VIEW

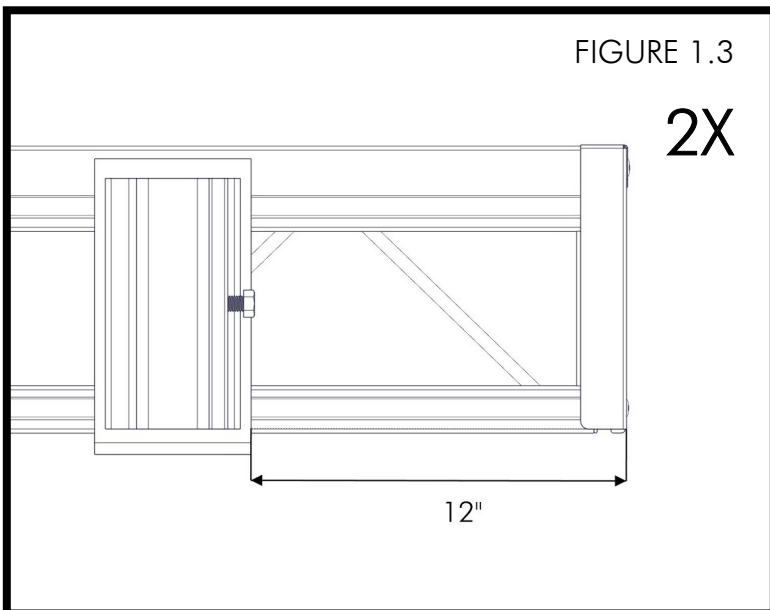
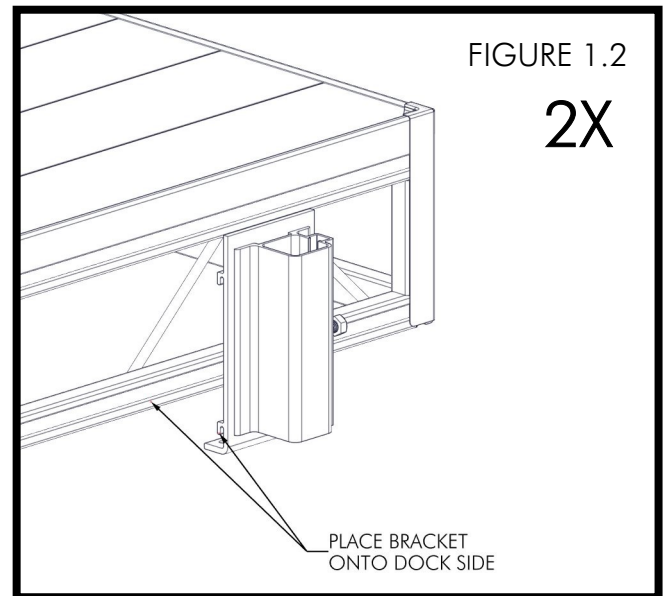
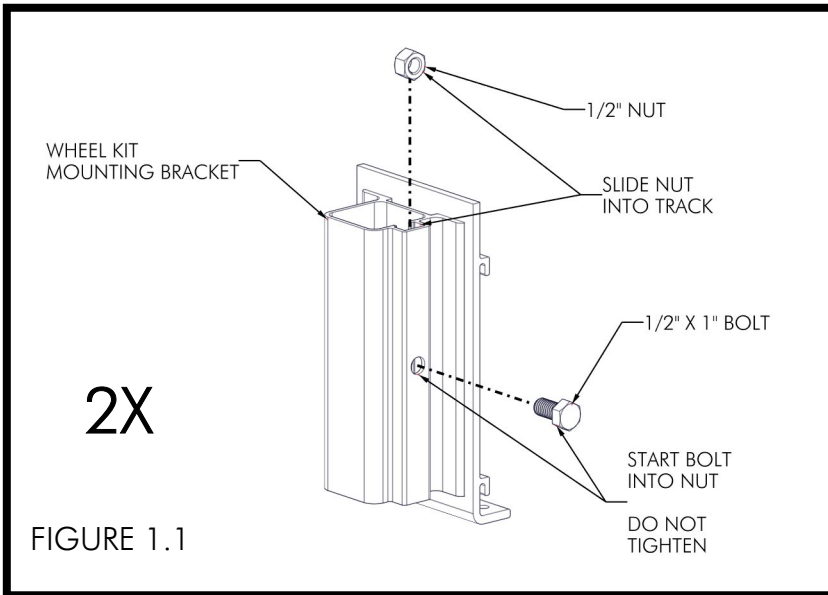
P/N 510-07200-00		WHEEL KIT, QA ROLL-IN SHORE END	
NUMBER	PART NUMBER	QTY.	DESCRIPTION
1	001-26728-00	2	CLIP, STAINLESS STEEL SPINDLE
2	001-70105-00	4	HHCS, 3/8-16 X 1" 18-8 SS
3	001-70205-00	2	HHCS, 1/2-13 X 1" SS 18-8
4	001-76350-00	2	NUT, 1/2-13 ALUM.
5	010-00020-00	2	WASHER, 2.5 O.D. X 1.75" I.D.
6	006-15210-00	2	CAP, VINYL 2" SQ.
7	007-00005-00	2	SPACER, POLYETHYLENE - 2.5"
8	110-00160-00	2	WELD'T, WHEEL KIT - MTG.
9	110-00311-00	2	WELD'T, QA ROLL-IN SUPPORT POST BRACKET



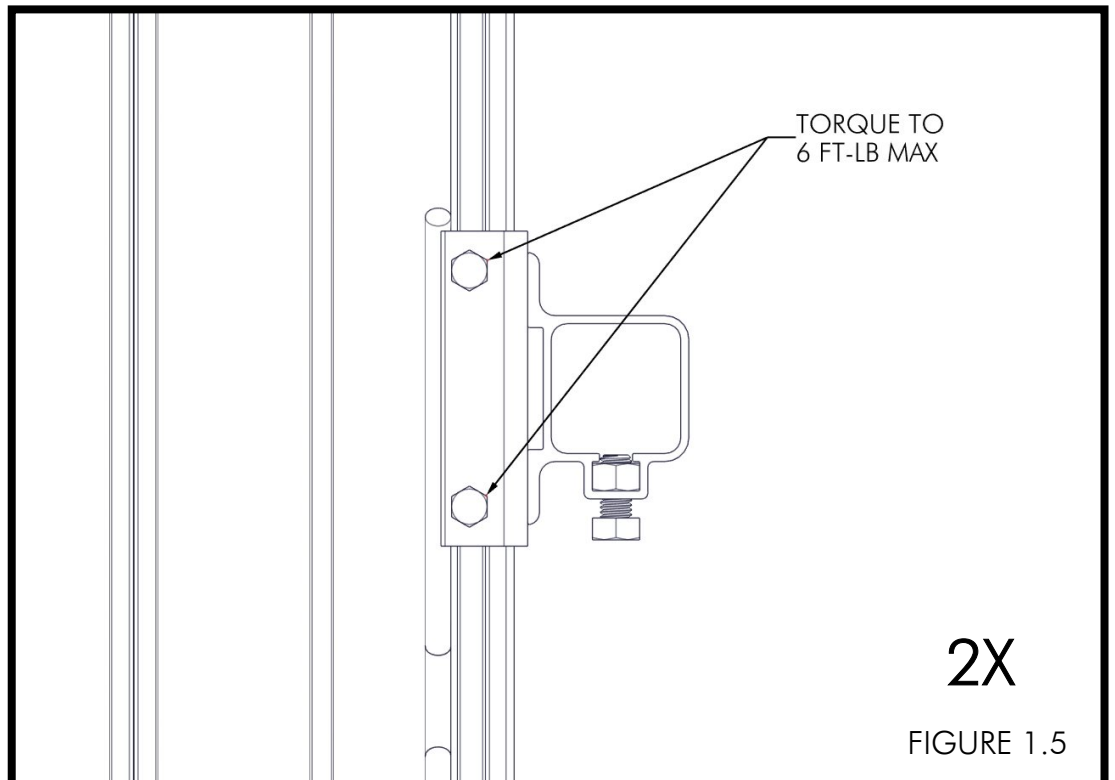
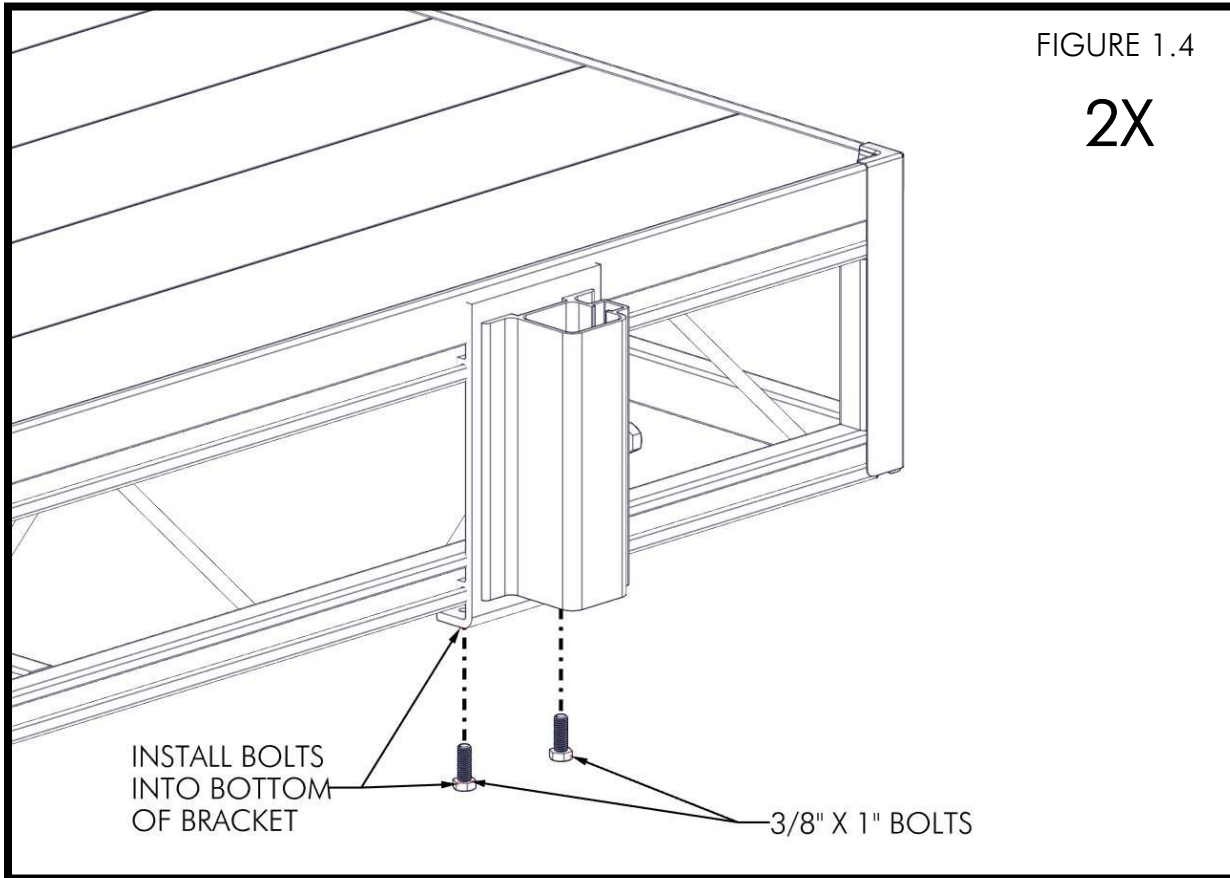
ASSEMBLY

STEP 1

SLIDE A 1/2" NUT INTO THE TRACK ON THE WHEEL KIT MOUNT BRACKET, THEN INSTALL A 1/2" X 1" BOLT INTO THE BRACKET AND START INTO THE NUT. DO NOT TIGHTEN AT THIS TIME (FIGURE 1.1). INSTALL THE MOUNTING BRACKETS ONTO THE SIDE OF THE DOCK (FIGURE 1.2). POSITION EACH MOUNTING BRACKET 12" FROM THE END OF THE DOCK

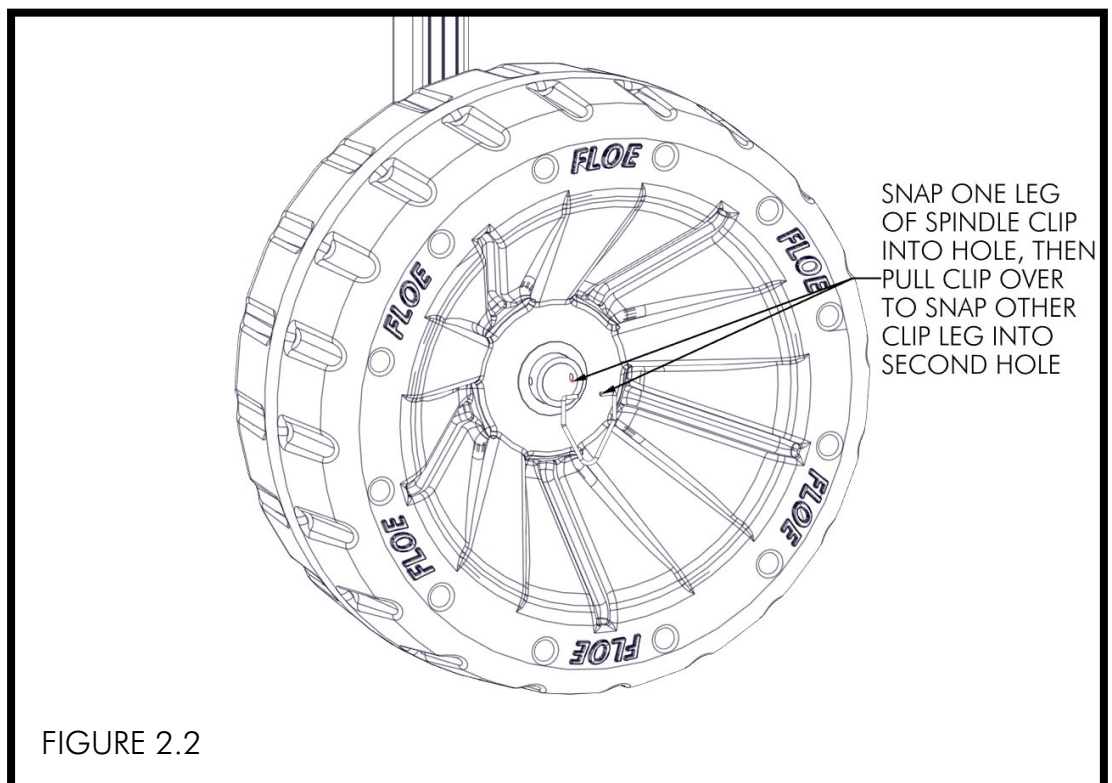
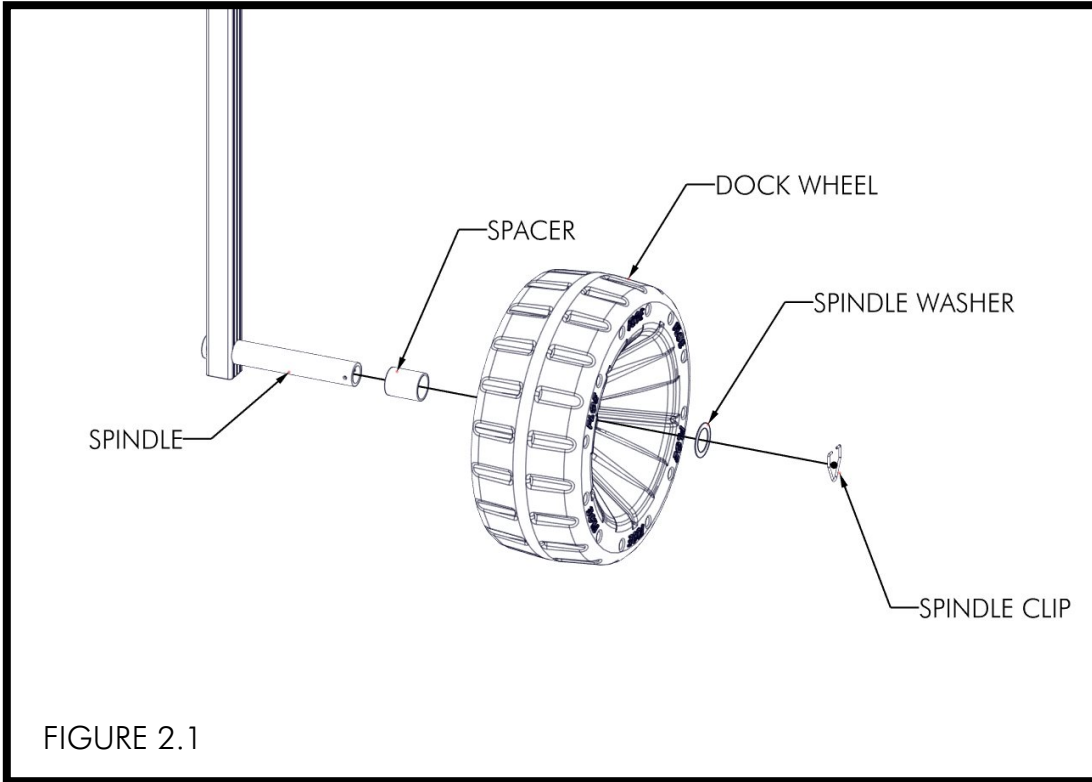


INSTALL (2) 3/8" X 1" BOLTS INTO THE BOTTOM OF EACH BRACKET (FIGURE 1.4) AND TORQUE TO 6 FT-LB MAXIMUM (FIGURE 1.5)



STEP 2

INSTALL THE SPACER, DOCK WHEEL (SOLD SEPARATELY), SPINDLE WASHER, AND SPINDLE CLIP IN THE ORDER SHOWN (FIGURE 2.1). TO INSTALL THE SPINDLE CLIP, SNAP ONE LEG OF THE SPINDLE CLIP INTO ONE HOLE, THEN PULL THE CLIP OVER TO SNAP THE OTHER CLIP LEG INTO THE SECOND HOLE (FIGURE 2.2).



SLIDE THE TUBES OF THE WHEEL KITS INTO THE BRACKETS ON THE DOCK SIDES. WHEELS CAN BE POSITIONED INBOARD (FIGURE 2.3) OR OUTBOARD (FIGURE 2.4).

FIGURE 2.3

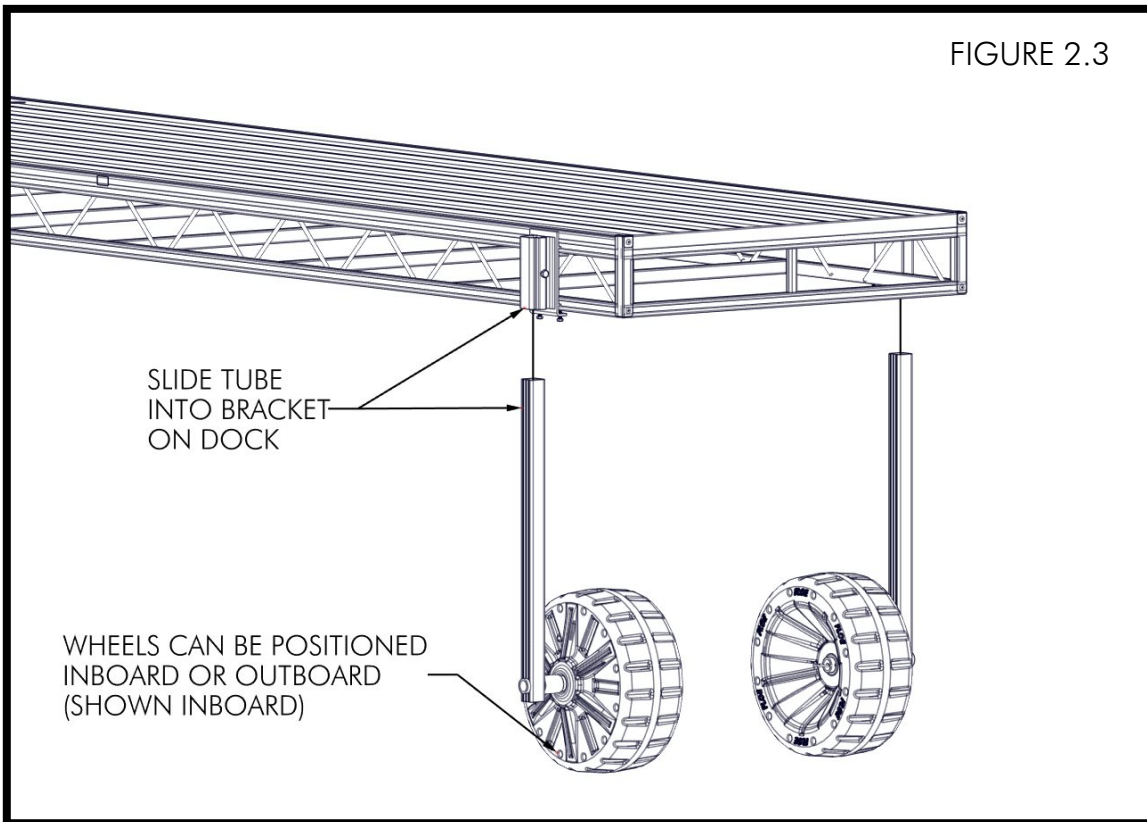
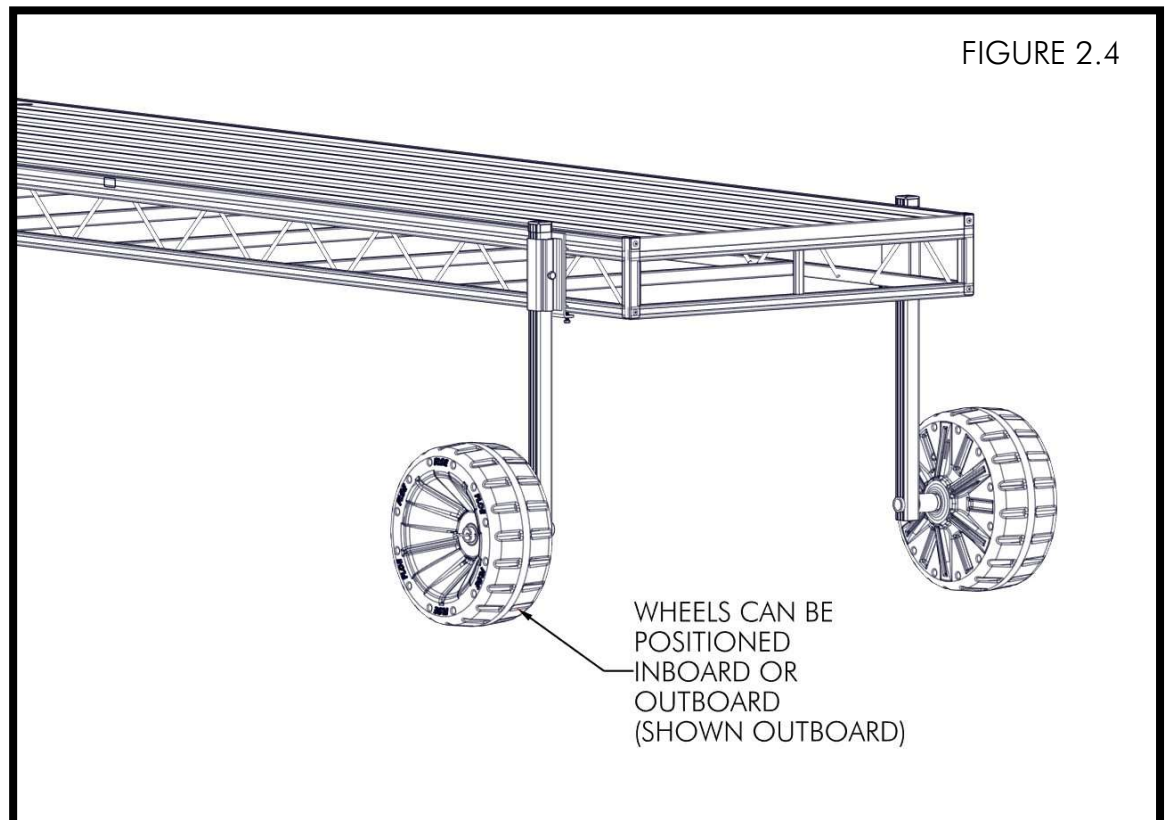


FIGURE 2.4



ADJUST THE WHEEL KITS TO ACHIEVE THE DESIRED HEIGHT AND DOCK LEVELNESS. ONCE SET, TORQUE THE 1/2" BOLT TO 50 FT-LB. SLIDE A VINYL CAP ONTO THE END OF EACH TUBE (FIGURE 2.5).

