

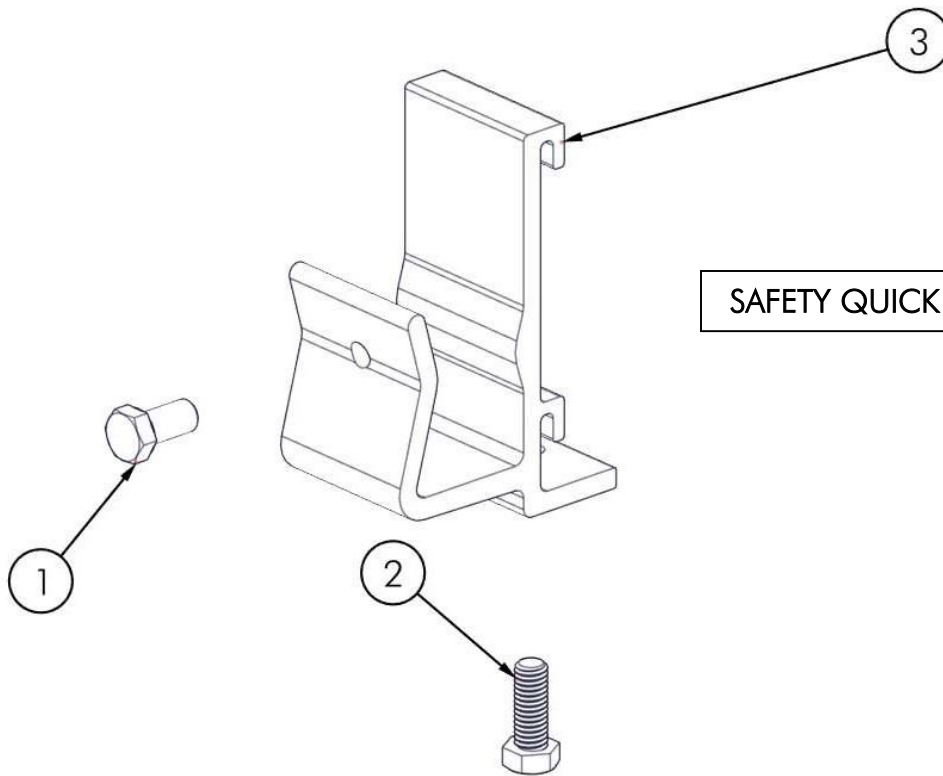
# FLOE QUICK-ATTACH™ SECTIONAL DOCK SAFETY CONNECT BRACKETS

FLOE KIT P/N 510-02581-00  
ASSEMBLY INSTRUCTIONS



## BOM/EXPLODED VIEW

P/N 510-02581-00		KIT, SAFETY QA DOCK CONNECTS (PAIR)	
Number	Part Number	QTY.	Description
1	001-70103-00	2	HHCS, 3/8-16 x 3/4" 18-8 SS
2	001-70105-00	2	HHCS, 3/8-16 x 1" SS
3	002-00134-00	2	BRACKET, QUICK ATT. SCTNL. WEDGE SAFETY



SAFETY QUICK CONNECTS™ COME IN PAIRS

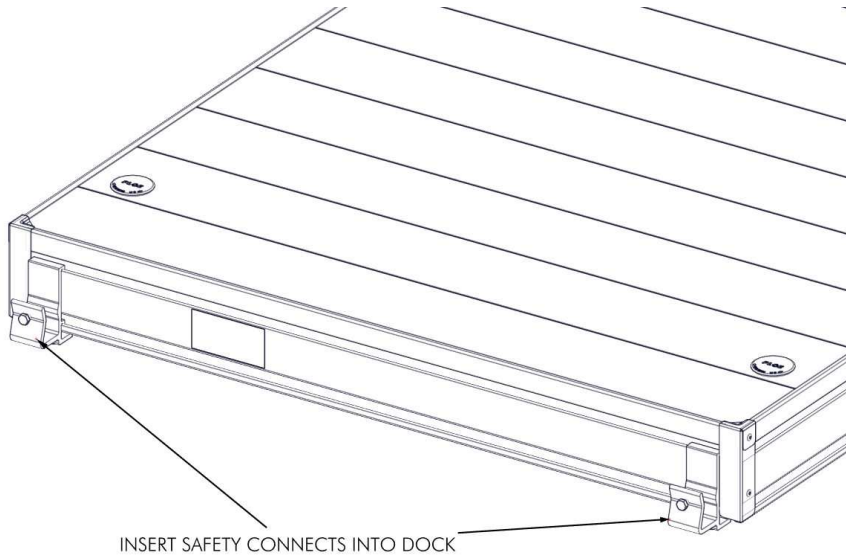
### TOOLS REQUIRED

- 9/16" SOCKET
- 7/32" HEX SOCKET
- TORQUE WRENCH

# INSTALLATION

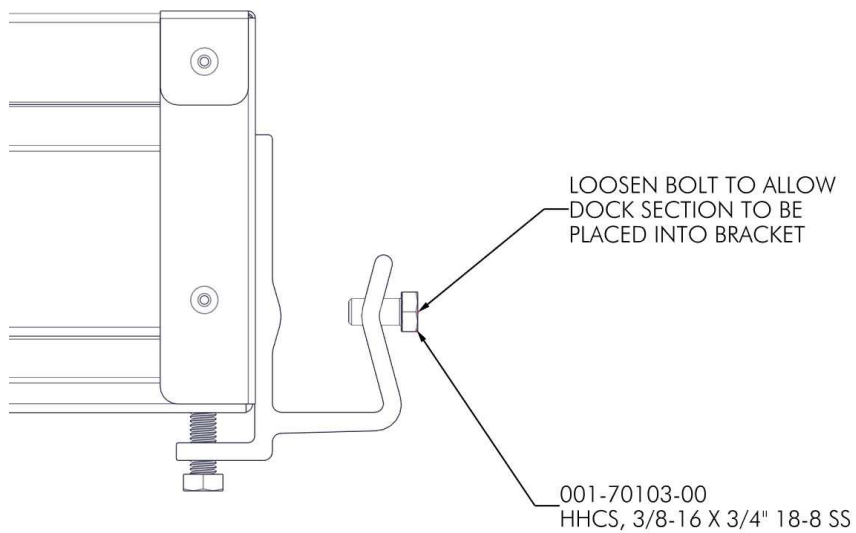
## STEP 1

INSERT SAFETY CONNECTS INTO DOCK. SAFETY CONNECTS SHOULD BE SPREAD AS FAR APART AS POSSIBLE.



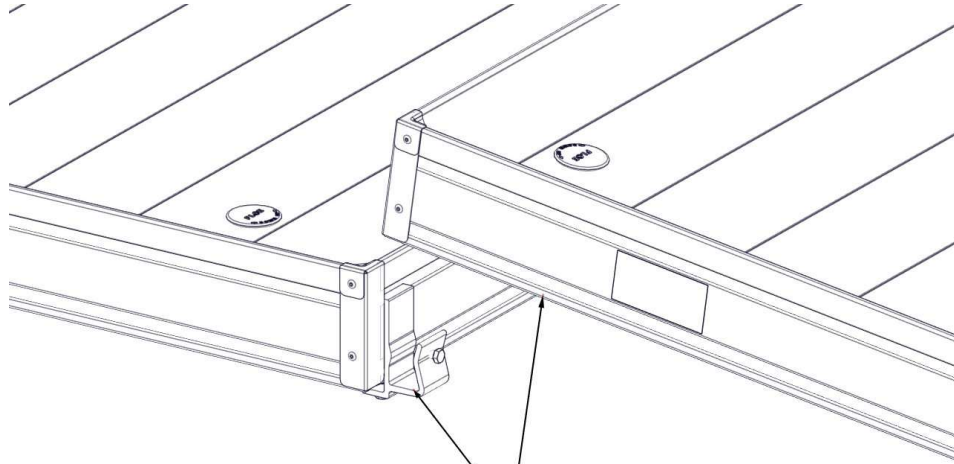
## STEP 2

LOOSEN BOLT TO ALLOW DOCK SECTION TO BE PLACED INTO BRACKET.



**STEP 3**

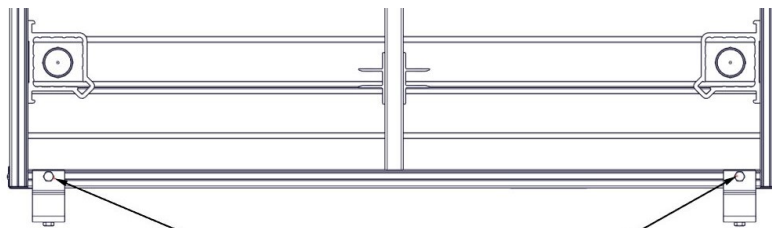
PLACE NEXT DOCK SECTION INTO SAFETY CONNECT



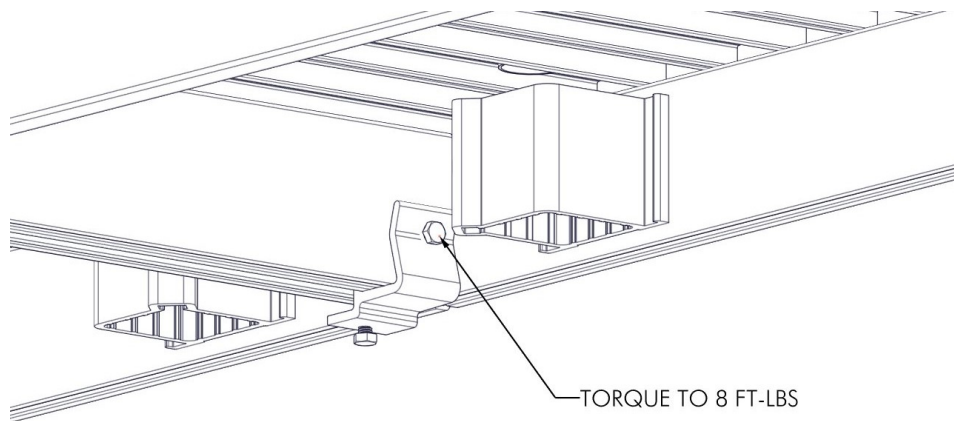
PLACE NEXT DOCK SECTION  
IN SAFETY CONNECT BRACKET

**STEP 4**

TORQUE BOLTS IN BOTTOM OF BRACKET TO 6 FT-LBS. TORQUE BOLTS IN SIDE OF BRACKET TO 8 FT-LBS.



001-70105-00  
HHCS, 3/8-16 X 1" SS  
TORQUE TO 6 FT-LBS



TORQUE TO 8 FT-LBS

